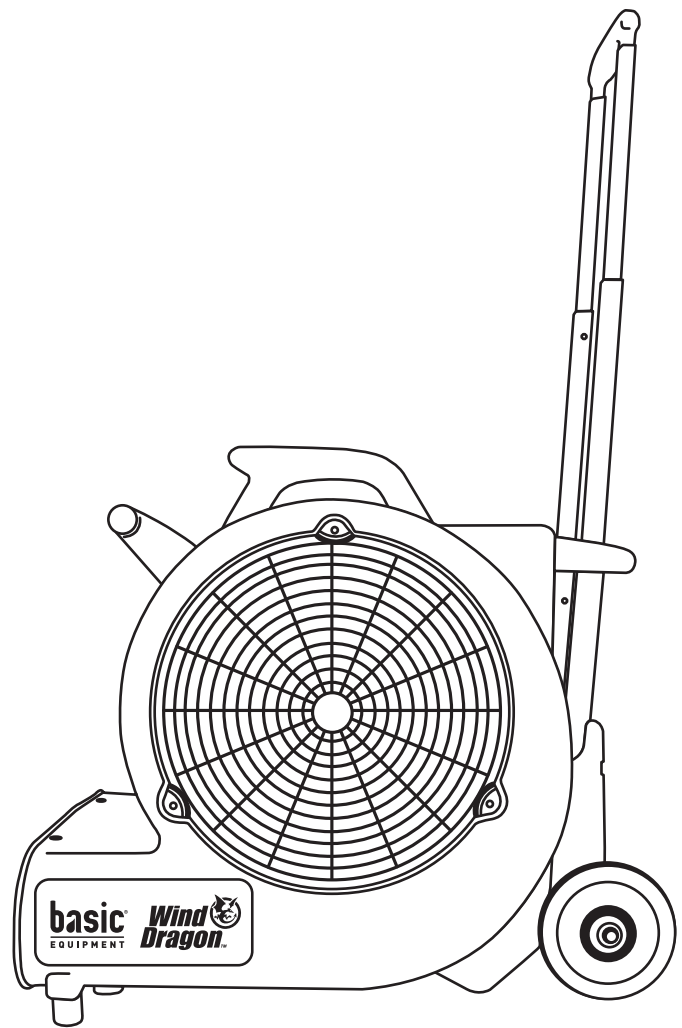
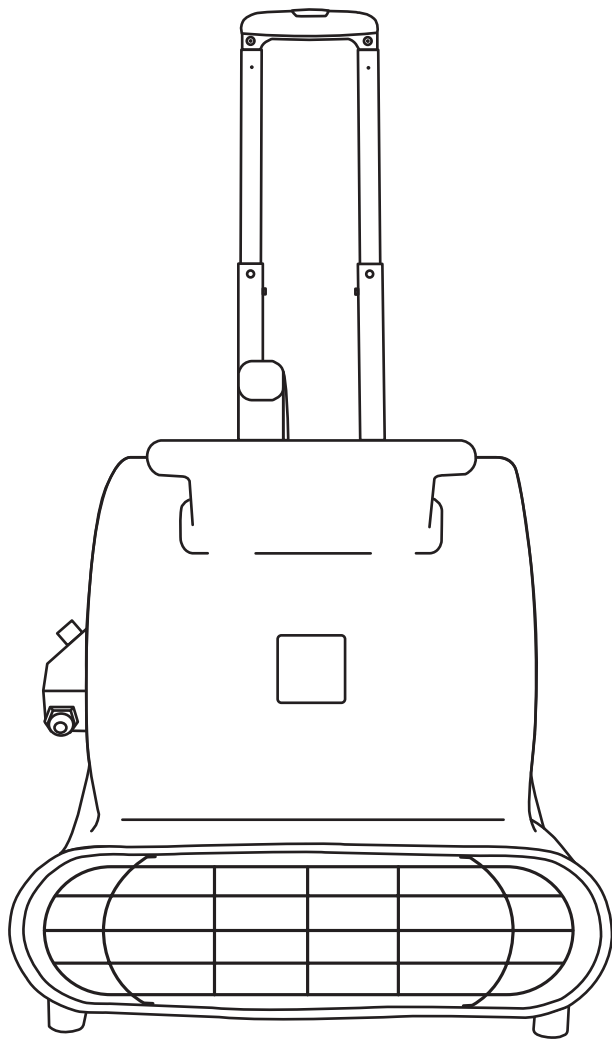


Wind Dragon™

Air Mover
EB858-1112



**Operator's Manual
& Parts Schematic**

basic®
EQUIPMENT

©2006 Basic
All Rights Reserved.
1001 Brown Avenue
Toledo, Ohio 43607
800.441.1934
www.basiccoatings.com

IMPORTANT SAFETY INSTRUCTIONS

READ ALL INSTRUCTIONS BEFORE USING THIS APPLIANCE

When using an electrical appliance, basic precautions should always be followed.

⚠ WARNING- To reduce the risk of fire, electric shock or injury:

- Use only as described in this manual. Use only manufacturer's recommended components and attachments.
- Use only indoors. Do not use outdoors or expose to rain.
- Do not use with damaged cord or plug. If appliance is not working as it should, has been dropped, damaged, left outdoors, or dropped into water, return it to your Authorized dealer.
- Do not pull or carry by cord, use cord as a handle, close door on cord, or pull cord around sharp edges or corners. Keep cord away from heated surfaces.
- Do not unplug by pulling on cord. To unplug, grasp the plug, not the cord.
- Do not handle plug or appliance with wet hands.
- Do not put any object into openings. Do not use with any opening blocked; keep free of dust, hair and anything that may reduce air flow.

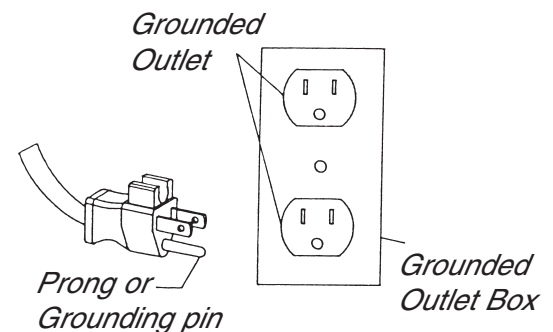
- Turn off all controls before unplugging.
- Do not attempt to service the unit while appliance is plugged in.
- Appliance may cause a fire when operating near flammable vapors or materials. Do not operate this machine near flammable fluids, dust or vapors.
- Connect to a properly grounded outlet.
- Use only on GFCI protected receptacles.
- To reduce the risk of electric shock, connect only to an outlet provided with a ground fault circuit interrupting device.
- Do not use an extension cord with this fan.
- This unit is thermally protected.
- Keep hair, loose clothing, fingers, and all parts of body away from openings and moving parts.
- Do not use this dryer with any solid-state speed control device.
- Always operate dryer on a stable flat surface such as the floor.
- Do not operate dryer without safety devices in place.
- Do not allow to be used as toy. Close attention is necessary when used near children.
- All repairs must be performed by a qualified service person.
- Do not modify the machine from its original design.

GROUNDING INSTRUCTIONS

This appliance must be grounded. If it should malfunction or break down, grounding provides a path of least resistance for electric current to reduce the risk of electric shock. This appliance is equipped with a cord having an equipment-grounding conductor and grounding plug. The plug must be plugged into an appropriate outlet that is properly installed and grounded in accordance with all local codes and ordinances.

This appliance is for use on a nominal 120 volt circuit and has a ground plug (see illustration, right). Make sure that the appliance is connected to an outlet having the same configuration as the plug. No adaptor should be used with this appliance.

⚠ WARNING- Improper connection of the equipment-grounding conductor can result in a risk of electric shock. Check with a qualified electrician or service person if you are in doubt as to whether the outlet is properly grounded. Do not modify the plug provided with the appliance – if it will not fit the outlet, have a proper outlet installed by a qualified electrician.



FOR BEST PERFORMANCE

- Keep machine clean and in good operating condition.
- Have machine checked periodically by your Authorized Dealer.
- Use only authorized service centers for parts or service.
- Store machine carefully in dry area.
- For optimum drying performance and safety, study and follow your operators manual.

SPECIFICATIONS

Power/Amp	4.0 amp / 4.8 amp
Motor	1/3 hp, 1/2 hp, 3/4 hp
Speeds	3
Construction	Polyethylene
Power cord	20'
Operating Positions	3-position / 3-position
Sensors	Thermal shut-off
Weight	30 lbs / 32.75 lbs
Warranty	5 years housing, 1 year motor, parts and workmanship

OPERATING INSTRUCTIONS

⚠ WARNING- To reduce the risk of fire, electric shock or injury; only use dryer as described in this manual.

Plug in to a standard outlet with the correct voltage and amperage for the unit.

Place the dryer in the desired operating position.

Set the switch at the desired speed: low, medium or high.

Check for proper operation before leaving the unit unattended. Do not move or carry the dryer when it is running.



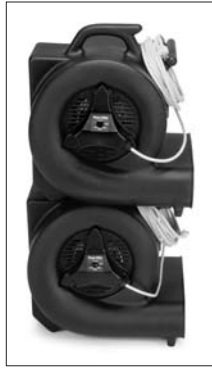
3 position switch



cord wrap



unit in vertical position



CAUTION
Do not stack dryers more than two units high without tie-downs

MAINTENANCE/TROUBLE SHOOTING

⚠ WARNING- To reduce the risk of fire, electric shock or injury; Do not attempt to service the unit while appliance is plugged in.

Periodic Maintenance

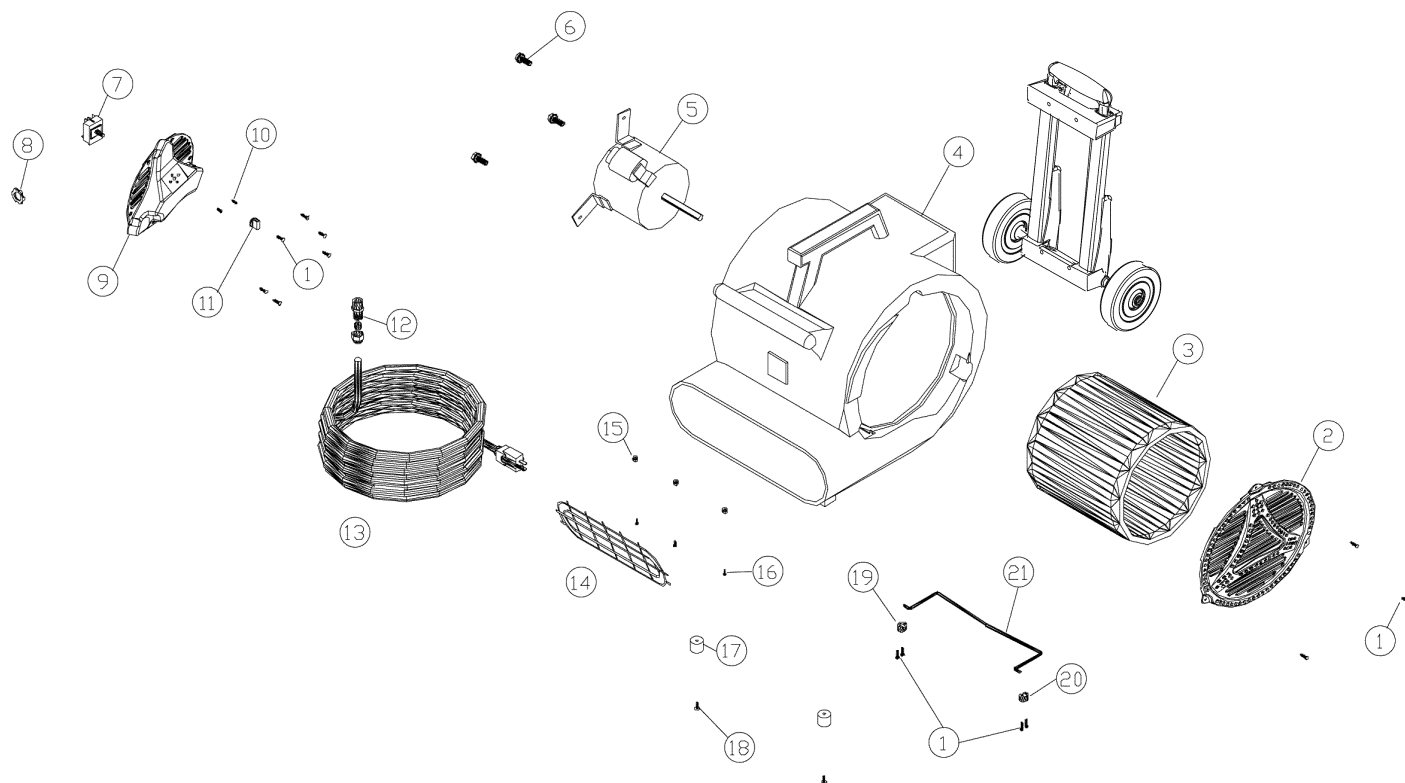
1. Check power cord for any breaks, separations or cuts.
2. Make sure the ground pin or grounding prong is intact or the machine will be unsafe to operate.

Trouble Shooting (if the dryer will not run)

1. Check electrical cord; is it firmly seated in wall outlet
2. Check GFCI and reset if tripped
3. Check to see if building circuit breaker is tripped. If circuit is overloaded, move cord to different GFCI outlet.
4. If using an extension cord, make sure it is in good condition, proper gauge and firmly connected.

SAVE THESE INSTRUCTIONS

ASSEMBLY



ref#	part #	description
1	X8261	screw #6 x 1/2 phil pan type a
2	X8872	intake panel
3	PD5	squirrel cage w/locknut 1/3-1/2 hp modles
	X8873	squirrel cage w/locknut 3/4 hp model
4	X8876	dryer housing
5	X8882	dryer motor and capacitor 1/3 hp model
	X8881	dryer motor and capacitor 1/2 hp model
	X8868	dryer motor and capacitor 3/4 hp model
6	X8964	screw 3/8-16 x 1/2
7	X8897	switch
8	X8008N	nut, lock, 1/2" steel conduit
9	X8875	motor control panel

ref#	part #	description
10	X8903	m4x6 flat head phillips screw
11	PD1K	knob, switch
12	PD8	strain relief 1/2" npt
13	X8926	25' heavy duty 3 wire cord
14	X8870	dryer discharge
15	X8256	nut 8-32 lock w/nylon insert
16	X8278	screw 8-32 x 1/2 phil pan
17	PD3B	foot, black rubber, new style
18	X8221	screw 8-32 x 3/4 phil pan
19	X8928	right tilt stand foot
20	X8929	left tilt stand foot
21	X8874	kickstand
	X8990	handle and wheels