

THREE DISC SANDING MACHINE TRIO



- AUS
- CAN
- GB
- IRL
- NZ
- USA

Spare Parts

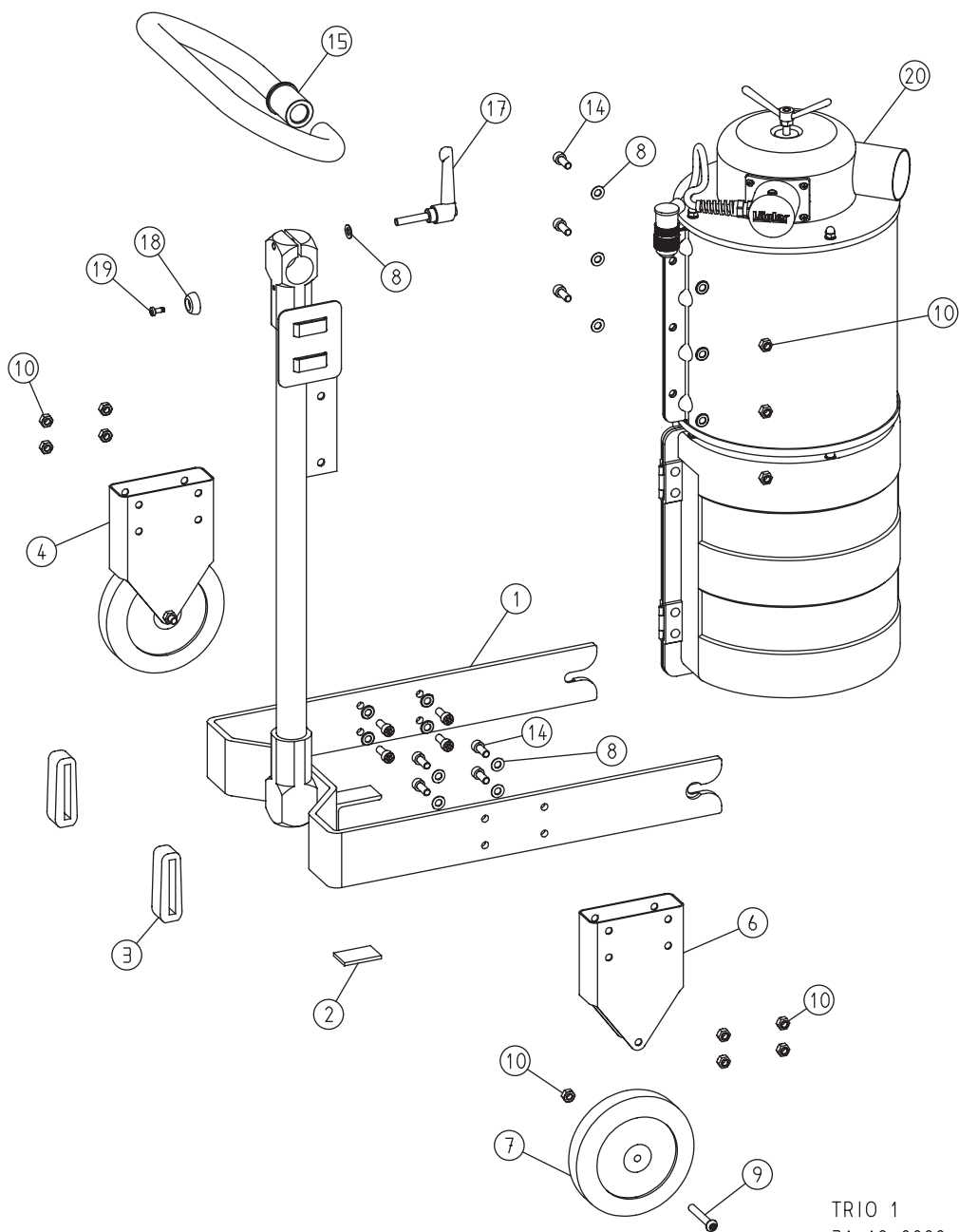
for the three disc sanding machine

TRIO

Lägler

WELTWEIT FÜHREND IN DER
FUSSBODENSCHLEIFTECHNIK

SPARE PARTS

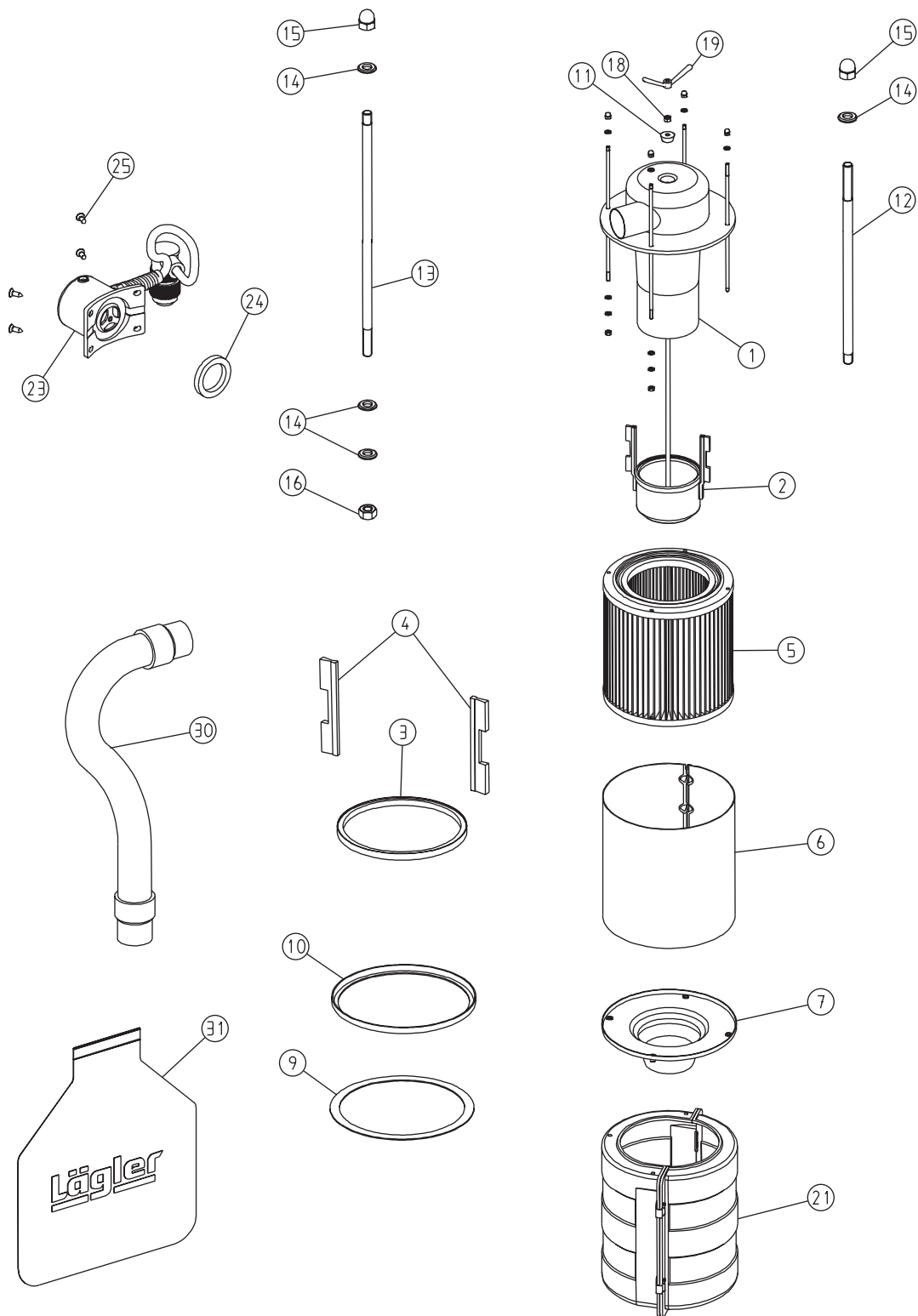


TRIO 1
31.10.2002

SPARE PARTS

Item	Part no.	Description
	900.70.00.100	Chassis, complete
1	900.70.05.100	Frame, complete
2	900.70.25.105	Bumper felt
3	900.70.80.105	Safety rubber
4	900.70.36.100	Wheel, complete
6	900.70.34.100	Wheel holder
7	900.70.32.105	Wheel
8	0125.1008.000	Washer
9	7380.1008.055	Lens head screw
10	0980.1008.000	Steel nut
14	0912.1008.020	Hexagonal socket head screw
15	900.70.70.200	Handle
17	000.20.40.081	Clamping device
18	900.70.52.105	Rubber buffer
19	7500.1005.012	Lens head screw
20	900.00.16.100	Separator, complete

SPARE PARTS

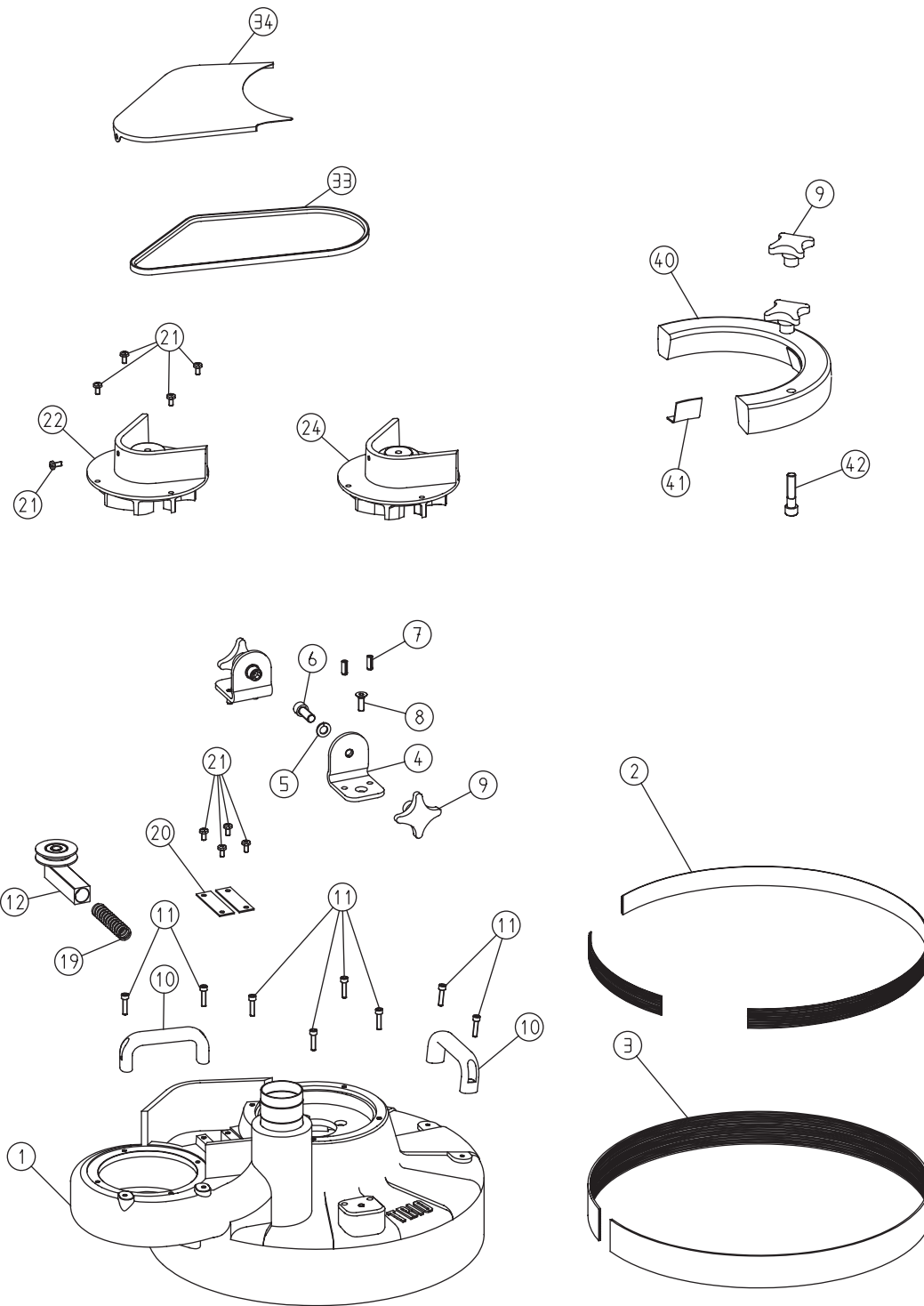


TRIO 2
14.02.2001

SPARE PARTS

Item	Part no.	Description
1	900.16.10.100	Separator upper part
2	900.16.21.100	Opener, complete
3	900.16.23.100	Sealing brush
4	900.16.45.105	Filter brush
5	900.16.18.105	Filter
6	900.16.19.100	Protective cover
7	900.16.17.100	Cover lower separator, complete
9	900.16.25.105	Sealing
10	900.16.22.100	Ring
11	900.03.30.105	Rubber plug
12	900.16.27.105	Screw, short
13	900.16.26.105	Screw, long
14	0125.1006.000	Washer
15	1587.1006.000	Cap nut
16	0980.1006.000	Steel nut
18	0934.1008.000	Nut
19	000.20.45.083	Wing nut
21	900.17.00.100	Dust bag box, complete
23	900.15.00.100	Pressure control sensor, complete
24	900.15.40.100	Sealing washer
25	7983.1042.013	Tapping screw
30	900.14.00.105	Suction hose
31	900.00.80.105	Disposable dust bags (25 pcs per carton)

SPARE PARTS

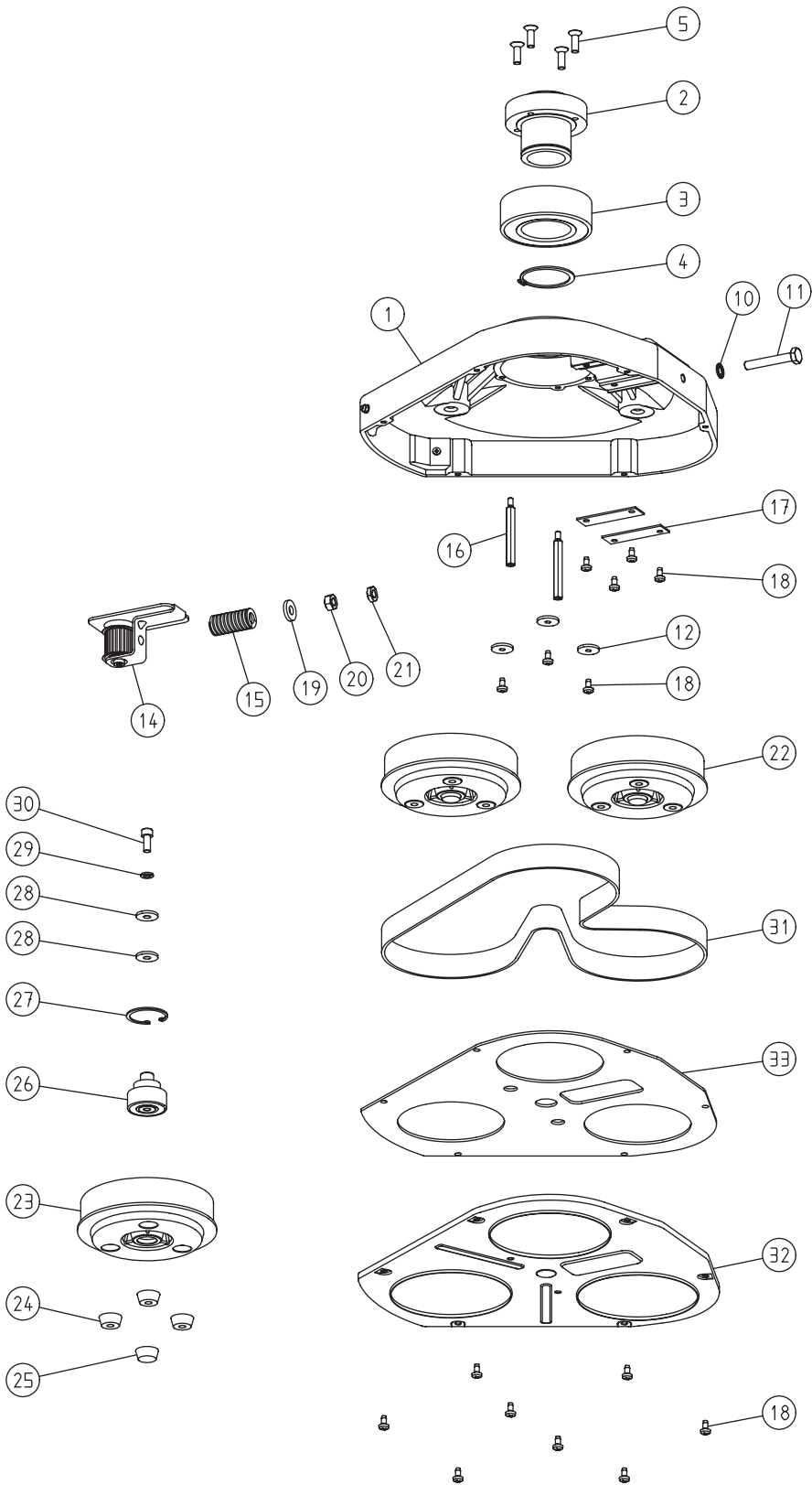


TRIO 3
31.10.2002

SPARE PARTS

Item	Part no.	Description
1	900.01.10.200	Housing
2	900.01.42.100	Self-adhesive Velcro negative
3	900.01.50.100	Velcro seal
	900.01.50.105	Velcro seal TRIO by the roll (50 m)
4	900.01.60.100	Angle
5	0127.1012.000	Spring washer
6	0912.1012.030	Hexagonal socket head screw
7	1481.0008.020	Spring type straight pin
8	7991.1008.025	Countersunk screw
9	000.20.20.121	Cross grip
10	000.20.10.121	Handle
11	0912.1006.025	Hexagonal socket head screw
12	900.58.00.200	Belt tensioner, complete
19	000.31.20.091	Compression spring
20	900.01.20.200	Guide plate
21	7500.1006.012	Lens head screw
22	900.10.00.200	Fan insert complete, European version
24	902.10.00.200	Fan insert complete, American version
33	000.71.51.085	V-belt 10 x 850
34	900.50.10.100	Belt cover
40	900.80.00.100	Additional weight, complete
41	900.80.21.105	Felt
42	0912.1012.050	Hexagonal socket head screw

SPARE PARTS

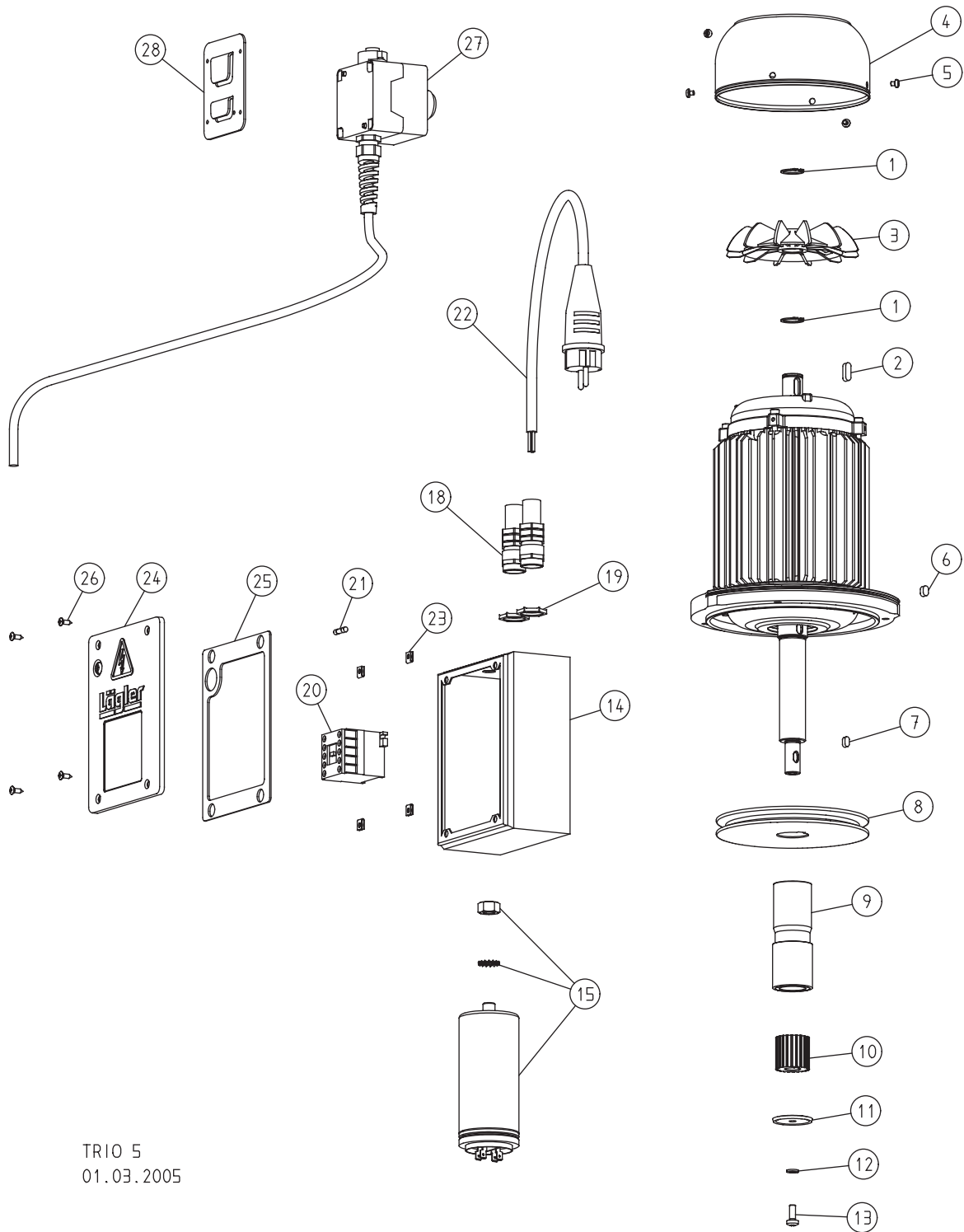


TRIO 4
01.03.2005

SPARE PARTS

Item	Part no.	Description
	900.07.00.100	Inner housing, complete
1	900.07.10.200	Inner housing
2	900.07.20.100	Pick up
3	3212.0060.202	Ball bearing
4	0471.0060.000	Circlip
5	7991.1008.025	Countersunk screw
10	6797.1010.000	Toothed lock washer
11	0933.1010.065	Hexagonal head screw
12	000.10.10.061	Lock washer
14	900.67.00.200	Tooth belt tensioner, complete
15	000.31.25.061	Spring
16	900.07.42.205	Bolt
17	900.01.20.200	Guide plate
18	7500.1006.012	Lens head screw
19	7349.1010.000	Washer
20	0934.1010.000	Nut
21	0439.1010.000	Nut
22	900.03.00.100	Pulley, complete
23	900.03.20.200	Pulley
24	900.03.30.105	Rubber plug
25	900.03.35.105	Rubber plug
26	900.03.10.100	Axle pulley, complete
27	0472.0047.000	Circlip
28	000.10.10.081	Washer
29	0127.1008.000	Spring washer
30	0912.1008.020	Hexagonal socket head screw
31	000.75.28.150	Tooth belt
32	900.07.32.100	Cover complete
33	900.07.31.105	Sealing felt

SPARE PARTS

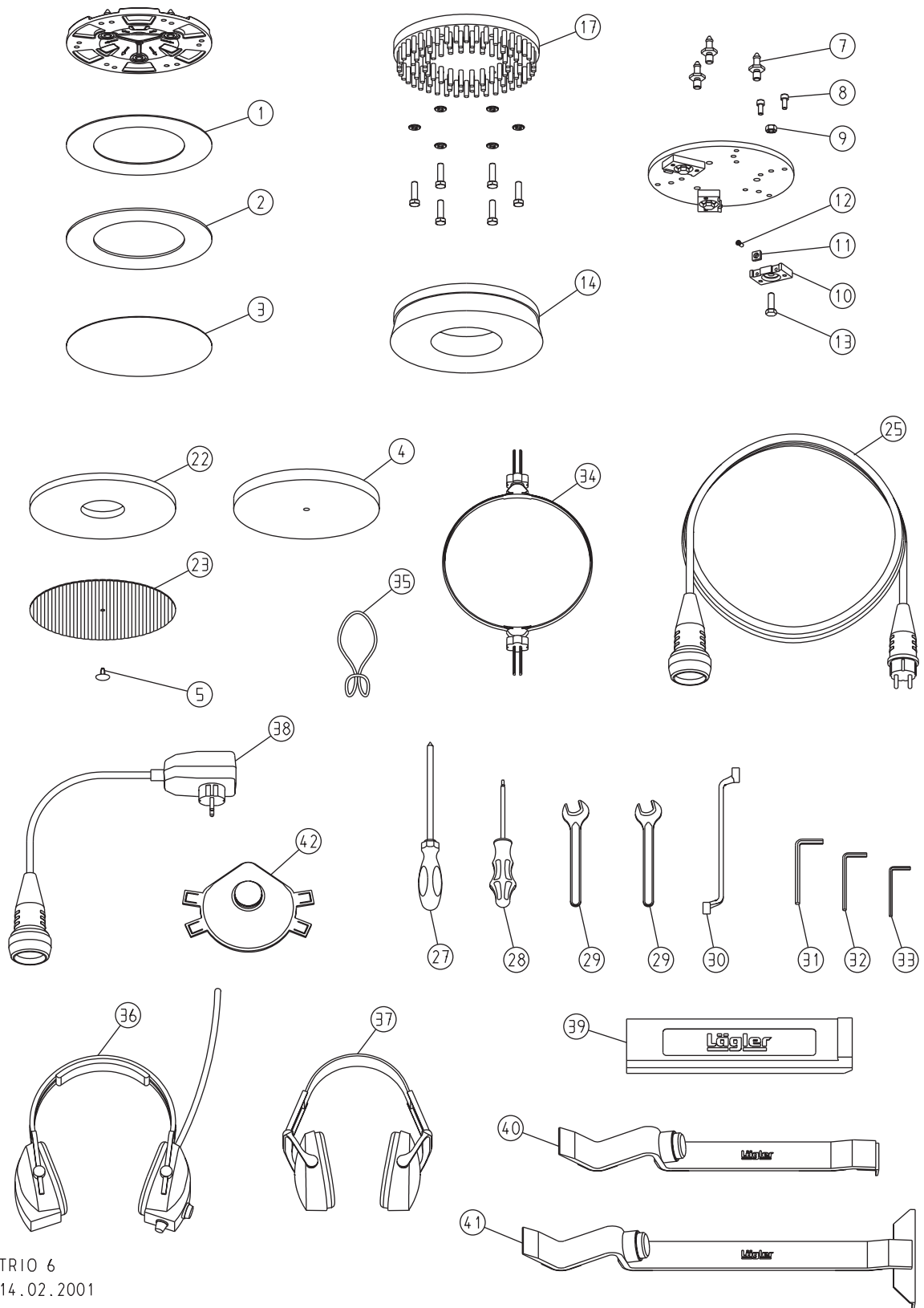


TRIO 5
01.03.2005

SPARE PARTS

Item	Part no.	Description
	900.65.00.100	Motor new, 230 V / 50 CPS
	901.65.00.100	Motor new, 230 V / 60 CPS
	902.65.00.100	Motor new, 220 V / 60 CPS, USA
	905.65.00.100	Motor new, 400 V / 50 CPS, three phase
1	0471.0020.000	Circlip
2	6885.0606.018	Key
3	900.65.08.100	Fan blade
4	900.65.09.100	Fan cover
5	0085.1004.005	Pan head screw
6	6885.0606.010	Key
7	6885.0505.010	Key
8	900.65.06.100	Motor pulley
9	900.65.43.200	Spacer sleeve
10	900.65.41.105	Pinion
11	900.65.42.100	Lock washer
12	0127.1006.000	Spring washer
13	7985.1006.816	Lens head screw
14	900.65.40.100	Switch Box
15	000.65.10.041	Running capacitor
18	000.67.20.161	Strain relief unit
	000.67.20.163	Strain relief unit USA
19	000.68.60.163	Nut
20	000.65.20.010	Universal contactor
21	000.65.80.061	Fuse
22	000.65.43.251	Motor cable 3 x 2.5 mm ²
	000.65.43.257	Motor cable 3 x 2.5 mm ² , USA
	000.65.45.151	Motor cable 5 x 1.5 mm ² , three phase
23	000.50.10.109	Clip nut
24	900.65.47.100	Cover switchbox with sealing
25	465.65.48.105	Sealing
26	7983.1042.013	Tapping screw
27	900.65.60.100	Switch, complete
28	900.65.55.200	Bracket

SPARE PARTS



TRIO 6
14.02.2001

SPARE PARTS

Item	Part no.	Description
	900.02.10.200	Universal disc
1	900.02.12.305	Velcro ring 200 mm
2	900.02.13.205	Flexible ring with velcro 200/125 mm
3	9.162.200.060	Easy-grip polygon sanding disc 200 mm diameter grain 60
4	9.632.201.080	Polish pads, white, for TRIO
	9.632.201.030	Scrubbing pads, green, for TRIO
5	900.02.23.105	Plastic pin
	900.02.40.100	Milling disc, complete
7	900.02.42.105	Fastening bolt
8	0912.1006.014	Hexagonal socket head screw
9	0934.1008.000	Nut
10	900.02.43.100	Holder milling blade
11	900.02.45.105	Carbide tool (10 pcs. per box)
12	900.02.47.105	Screw for blade
13	900.02.49.105	Special screw
14	900.02.30.105	Brushing disc
	900.02.50.100	Brush with flat steel inserts, complete
17	900.02.52.100	Brush with flat steel inserts, add-on kit
22	9.612.205.040	Nylon pad, beige, for TRIO
23	9.412.201.060	Scotch-Mesh sanding screen, grain 60
25	000.65.53.251	Extension cable 3 x 2.5 mm ² , 10 m long
	000.65.53.252	Extension cable 3 x 2.5 mm ² , 20 m long
27	000.91.20.031	Phillips screwdriver
28	000.91.30.151	Torx screwdriver
29	000.95.11.171	Open mouth wrench
30	000.95.21.103	Closed mouth wrench
31	000.93.11.061	Hexagonal socket screw wrench 6 mm
32	000.93.11.051	Hexagonal socket screw wrench 5 mm
33	000.93.11.041	Hexagonal socket screw wrench 4 mm
34	000.01.40.112	Multiclip TRIO
35	000.01.40.011	Strain relief ring
36	000.01.10.011	Foldable earmuff type MUSIMAFF
37	000.01.10.021	Foldable earmuff type POCKET
38	000.01.65.010	DI-safety plug
39	701.10.00.100	Impact tool
40	702.00.00.100	Parquet layer tool, 43 cm
41	703.00.00.100	Parquet layer tool, 55 cm
42	000.01.20.010	Protective mask P3