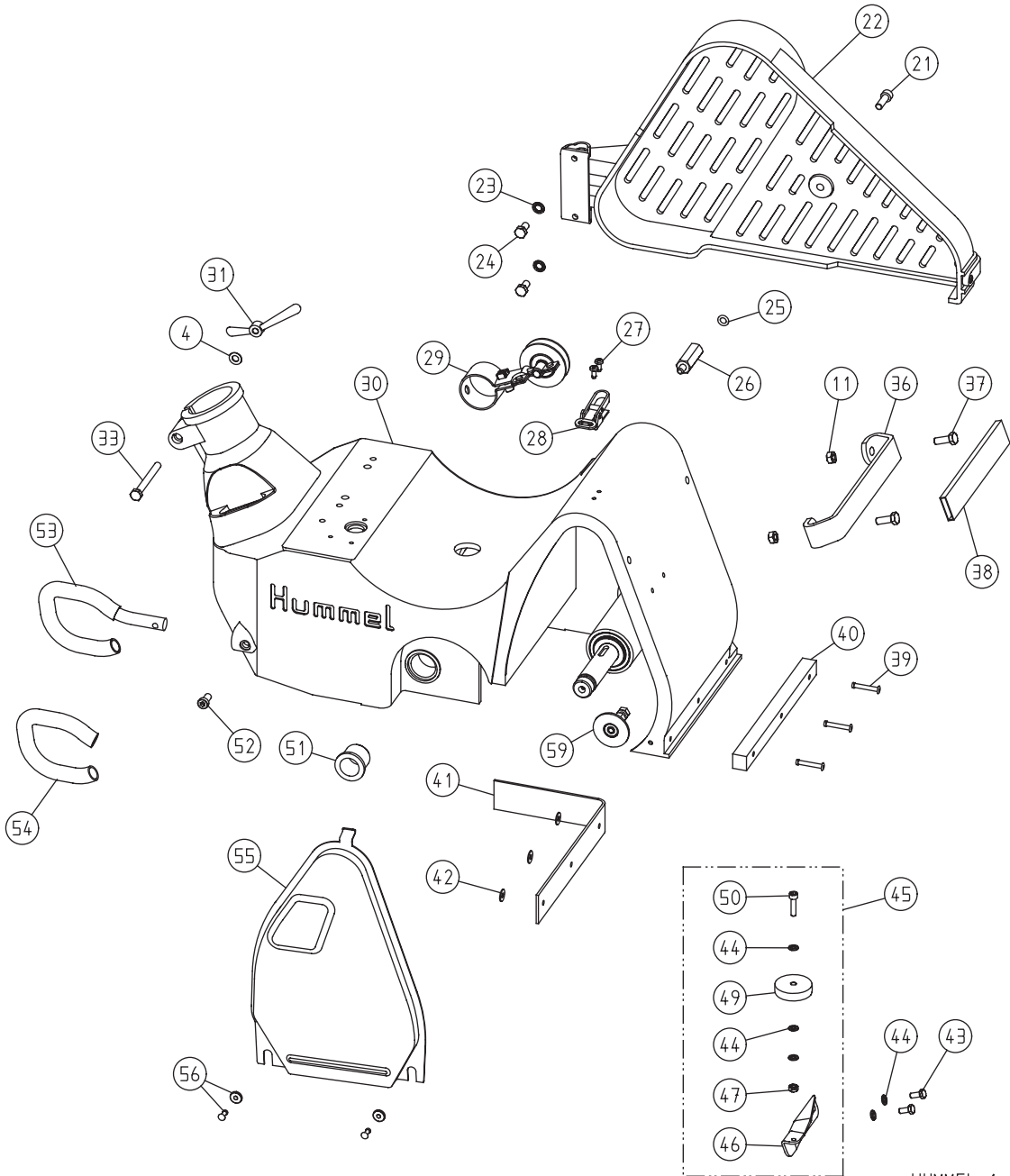


SPARE PARTS

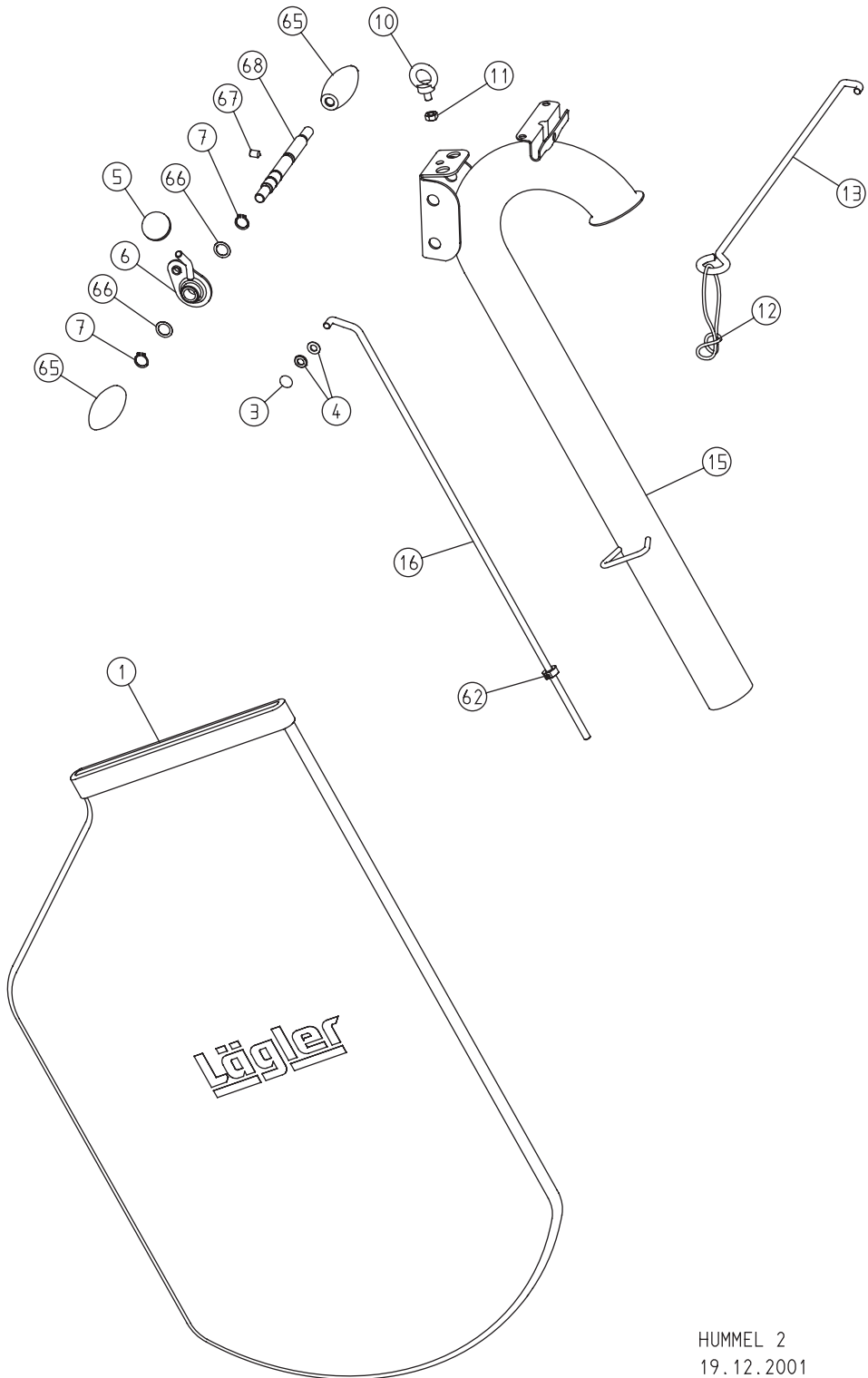


HUMMEL 1
01.05.2005

SPARE PARTS

Pos.	Product-No.	Description
4	0125.1008.000	Washer
11	0980.1008.000	Nut
21	0912.1008.025	Hexagonal socket head screw
22	100.50.00.100	Belt guard, complete
23	6797.1008.000	Toothed lock washer
24	0933.1008.016	Hexagonal head screw
25	000.01.40.001	O-ring
26	100.50.04.105	Screw stud
27	7500.1005.012	Lens head screw
28	100.01.05.105	Cover fastener
29	100.58.00.200	Belt tensioner, complete
30	100.01.00.100	Housing
31	000.20.45.083	Wing nut
33	0931.1008.075	Hexagonal head screw
36	100.33.01.100	Bracket
37	0933.1008.022	Hexagonal head screw
38	100.33.02.100	Grip
39	7337.1005.033	Rivet
40	100.01.01.100	Bumper felt
41	100.01.02.100	Sealing felt
42	9021.1005.000	Washer
43	0933.1006.014	Hexagonal head screw
44	0125.1006.000	Washer
45	100.60.00.200	Wall protecting roller with bracket
46	100.60.01.100	Bracket
47	0934.1006.000	Nut
49	100.60.02.200	Wall protecting roller
50	0912.1006.025	Hexagonal socket head screw
51	000.43.10.252	Plastic bushing
52	7984.1008.016	Hexagonal socket head screw
53	100.44.00.100	Safety guard, complete
54	100.44.01.100	PVC tube
55	100.01.03.100	Side cover
56	100.01.08.200	Collar nut, complete
59	100.01.30.100	Guide roller, complete

SPARE PARTS

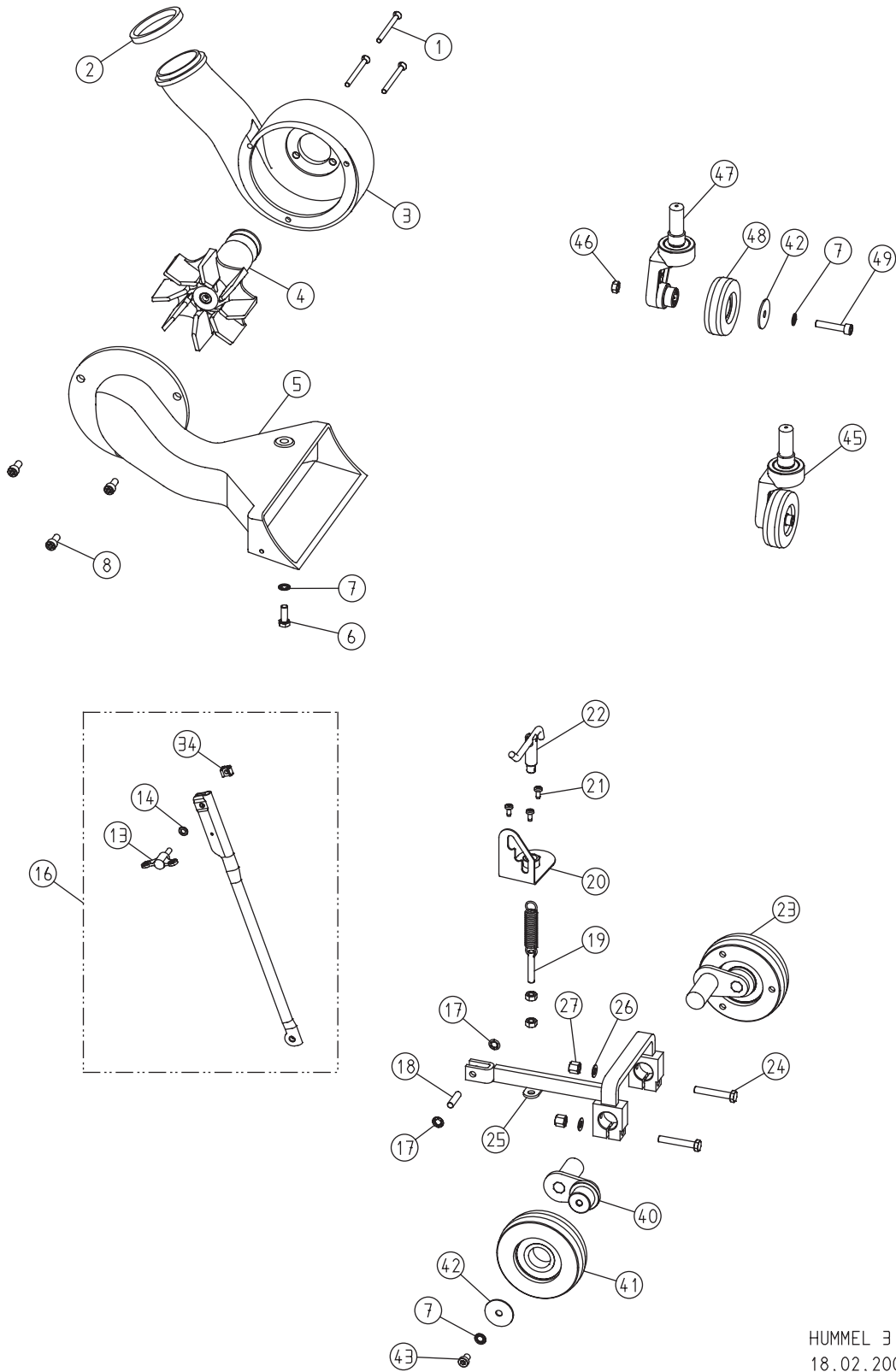


HUMMEL 2
19.12.2001

SPARE PARTS

Pos.	Product-No.	Description
1	100.00.80.105	Dust bag HUMMEL
3	000.17.21.081	Fixing cap
4	0125.1008.000	Washer
5	000.20.56.351	Ball knob
6	100.20.18.200	Lever
7	0471.0015.000	Circlip
10	0580.1008.000	Thread eye
11	0980.1008.000	Nut
12	000.01.40.011	Strain relief ring
13	100.20.26.100	Cable support, complete
15	100.20.01.200	Guide tube
	102.20.01.200	Guide tube USA
	100.20.00.200	Guide tube, complete
	102.20.00.200	Guide tube USA, complete
	100.21.00.200	Guide tube long, complete
16	100.20.24.100	Upper rod, complete
62	100.20.23.100	Adjusting ring, complete
65	000.20.31.351	Handle
66	0988.0015.005	Precision washer
67	0914.0008.012	Grub screw
68	100.20.17.200	Axle for handle

SPARE PARTS

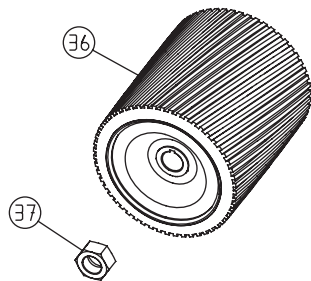
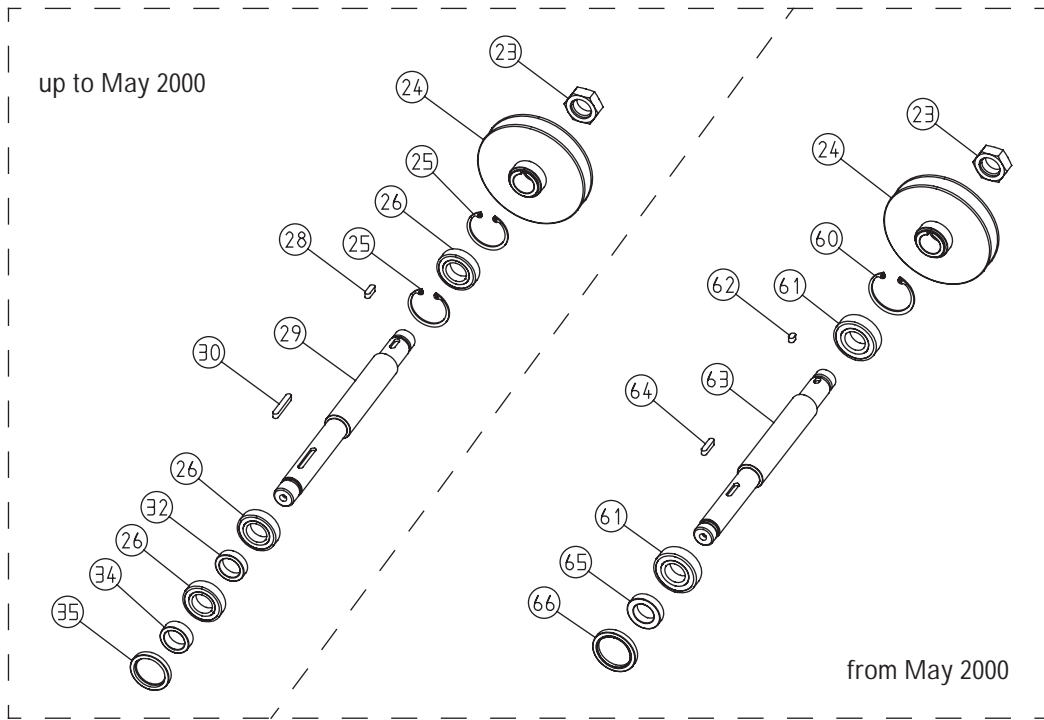
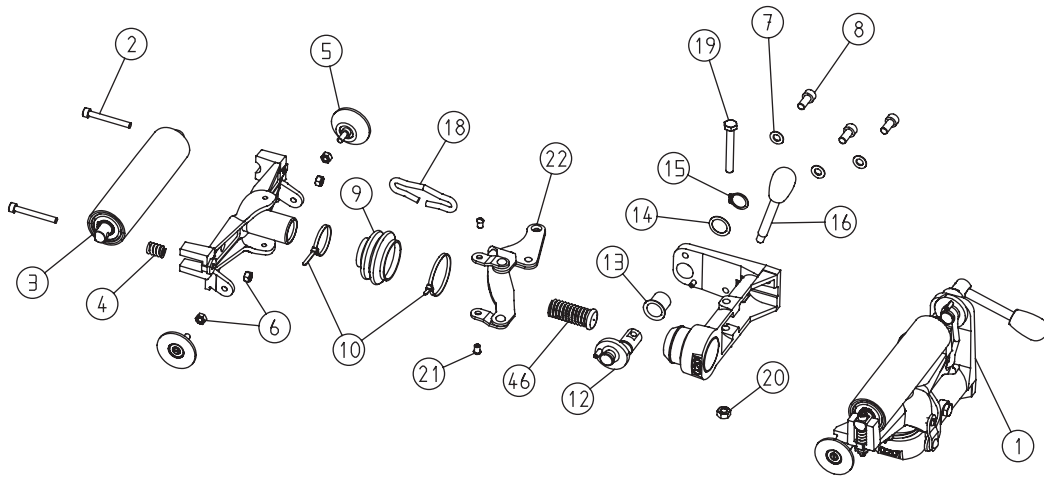


HUMMEL E
18.02.2002

SPARE PARTS

Pos.	Product-No.	Description
1	0965.1006.070	Countersunk head screw
2	100.08.01.200	Sealing ring
3	100.08.00.100	Fan housing
4	100.10.00.200	Fan insert, complete
5	100.14.00.100	Intake duct
6	0933.1008.022	Hexagonal head screw
7	6797.1008.000	Toothed lock washer
8	0912.1008.018	Hexagonal socket head screw
13	000.20.46.062	Wing screw
14	0125.1006.000	Washer
16	100.04.09.100	Lower rod, complete
17	000.17.20.081	Quick-fixing-fastener
18	100.04.01.200	Pivot pin
19	100.04.25.100	Tension spring complete with screw
20	100.04.06.200	Notch plate
21	7500.1005.012	Lens head screw
22	100.04.02.100	Spring tensioner, complete
23	100.05.00.200	Lateral wheel, complete
24	0931.1008.050	Hexagonal head screw
25	100.04.00.100	Lifting fixture
26	0125.1008.000	Washer
27	6330.1008.000	Nut
34	000.50.12.061	Exchangeable nut
40	100.05.04.200	Wheel arm
41	100.05.29.100	Lateral wheel
42	000.10.10.085	Washer
43	7984.1008.012	Hexagonal socket head screw
45	100.18.00.300	Rear wheel, complete
46	0934.1008.000	Nut
47	100.18.18.300	Yoke housing, complete
48	100.18.29.105	Rear wheel
49	0912.1008.040	Hexagonal socket head screw

SPARE PARTS



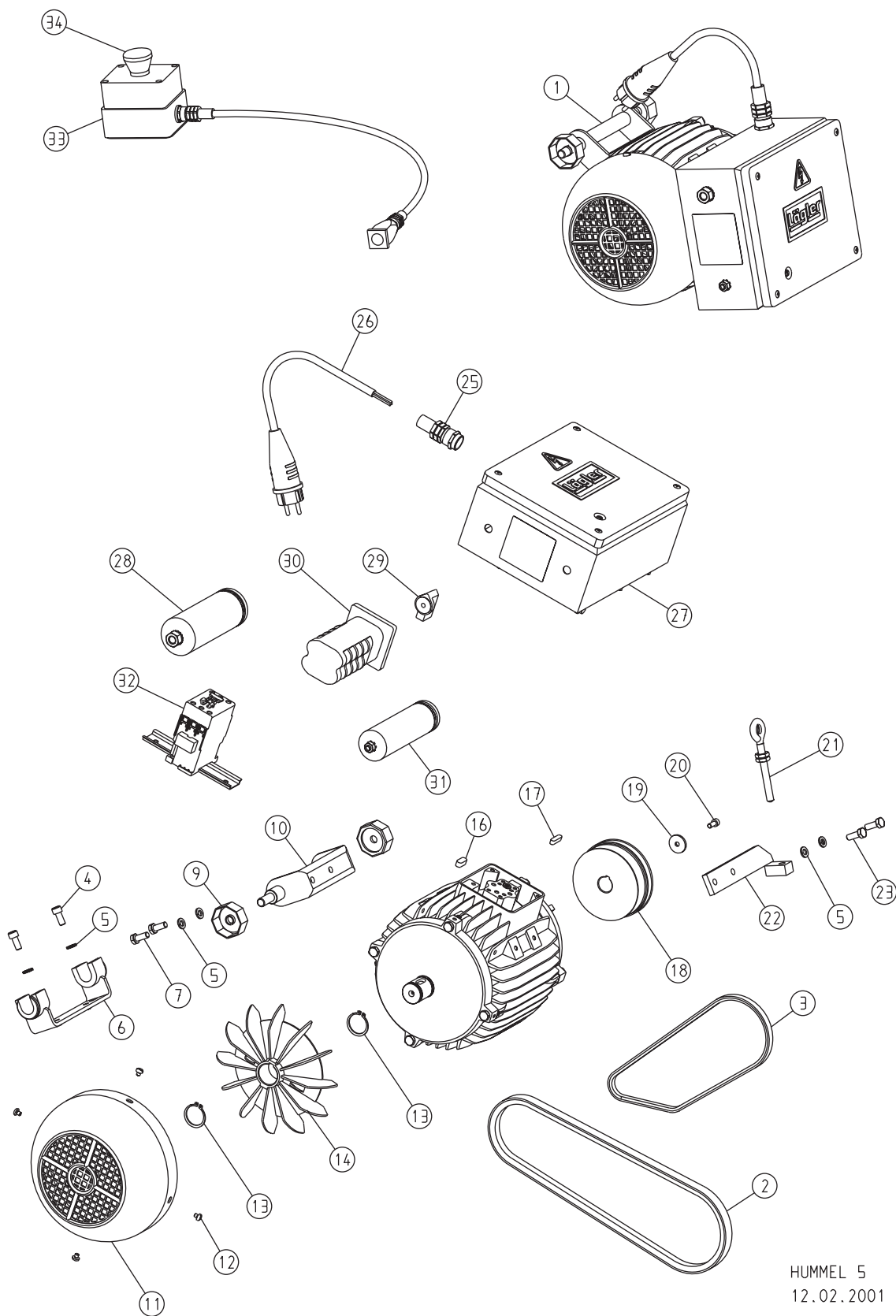
Please state the machine number with each order.

HUMMEL 4
12.02.2001

SPARE PARTS

Pos.	Product-No.	Description
1	100.45.00.100	Drive unit, complete
2	0912.1006.050	Hexagonal socket head screw
3	100.45.12.105	Tensioning roller
4	000.31.13.021	Compression spring
5	100.45.01.105	Guide roller
6	0980.1006.000	Nut
7	0125.1008.000	Washer
8	0912.1008.018	Hexagonal socket head screw
9	100.45.81.105	Collar
10	000.61.10.363	Nylon fastener
12	100.45.20.100	Crank
13	100.45.24.105	Bearing bush
14	0988.0018.005	Precision washer
15	0471.0018.000	Circlip
16	000.20.32.104	Operating lever
18	100.45.17.100	Clip
19	0931.1008.060	Hexagonal head screw
20	0980.1008.000	Nut
21	100.45.61.105	Roundhead screw
22	100.45.37.100	Double arm, complete
23	100.02.05.100	Hexagonal nut, right-hand thread
24	100.36.00.100	V-belt pulley
25	0472.0047.000	Circlip
26	6005.0025.205	Ball bearing
28	6885.0606.018	Key
29	100.02.01.100	Sanding shaft
30	6885.0606.040	Key
32	100.02.04.105	Spacer ring
34	100.02.03.105	Slide ring
35	000.11.35.102	Shaft seal
36	120.40.00.100	Sanding drum HUMMEL
	120.41.00.100	Sanding drum HUMMEL, hard rubber cover
37	100.02.06.100	Hexagonal nut, left-hand thread
46	100.45.45.100	Compression spring
60	0472.0052.000	Circlip
61	6205.0025.205	Ball bearing
62	6885.0606.010	Key
63	100.02.01.200	Sanding shaft
64	6885.0606.025	Key
65	100.02.03.200	Spacer ring
66	000.11.40.102	Shaft seal

SPARE PARTS

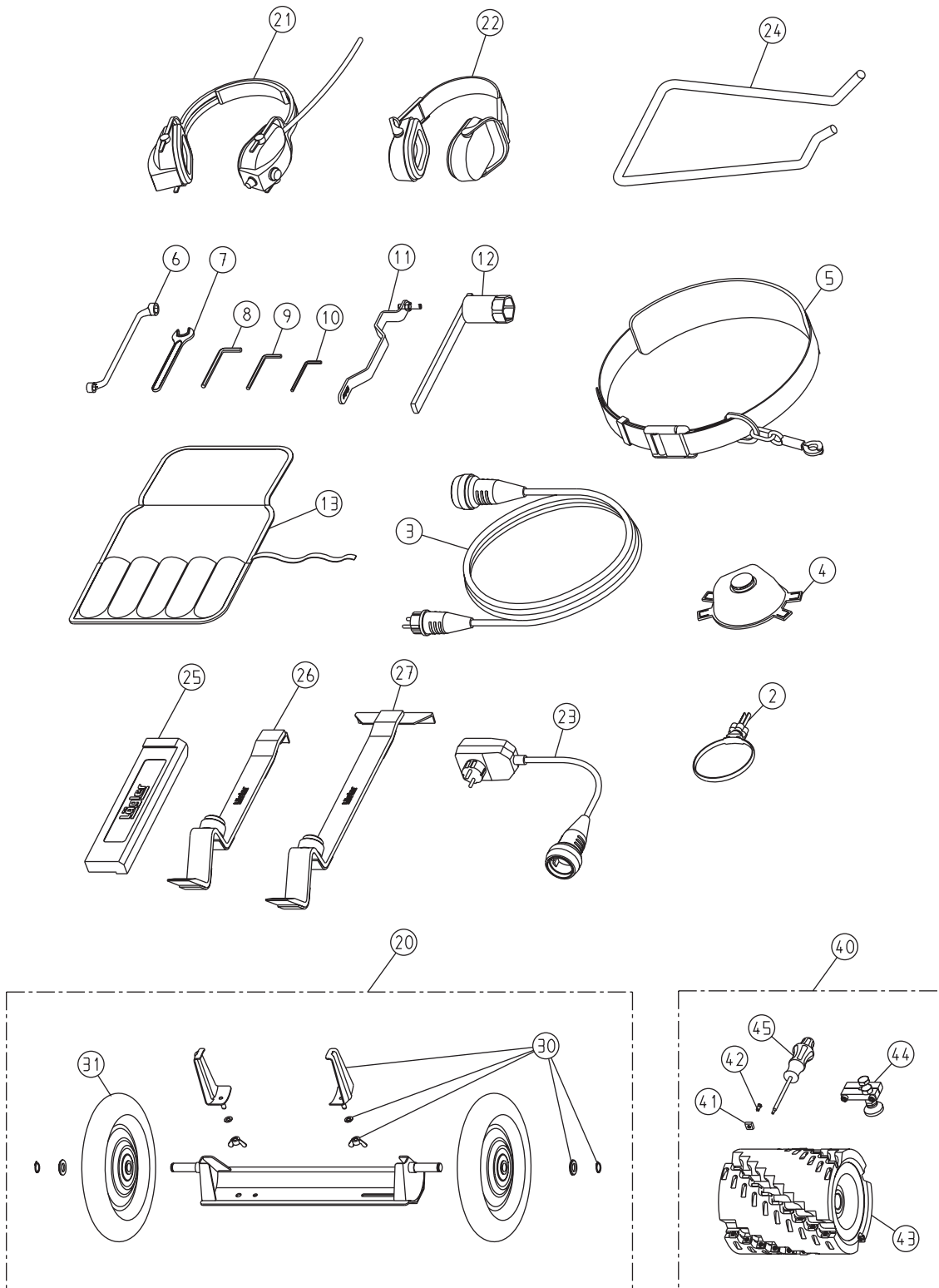


HUMMEL 5
12.02.2001

SPARE PARTS

Pos.	Product-No.	Description
1	100.65.00.100	Single-phase AC motor new, 230 V / 50 CPS / 2.2 kW
	101.65.00.100	Single-phase AC motor new, 230 V / 60 CPS / 2.2 kW
	102.65.00.100	Single-phase AC motor new, 220 V / 60 CPS / 2.9 kW, USA
	105.65.00.100	Three-phase AC motor new, 400 V / 50 CPS / 4 kW
2	000.71.26.087	V-belt 17 x 875
3	000.71.24.065	V-belt 10 x 650
4	0912.1008.020	Hexagonal socket head screw
5	0127.1008.000	Spring washer
6	100.65.29.200	Motor bearing bracket
7	0933.1008.020	Hexagonal head screw
9	100.65.30.100	Motor nut
10	100.65.25.100	Motor mounting
11	100.65.09.100	Fan cover
12	7500.1005.006	Lens head screw
13	0471.0030.000	Circlip
14	100.65.08.105	Fan wheel
16	6885.0807.020	Key
17	6885.0606.025	Key
18	100.65.06.100	Motor pulley
19	000.10.10.061	Lock washer
20	0912.1006.014	Hexagonal socket head screw
21	100.65.80.105	Eye bolt
22	100.65.35.100	Motor tensioner
23	0933.1008.022	Hexagonal head screw
25	000.67.20.161	Strain relief unit
26	000.65.43.251	Motor cable 3 x 2.5 mm ²
	000.65.43.257	Motor cable 3 x 2.5 mm ² , USA
	000.65.45.151	Motor cable 5 x 1.5 mm ² , three-phase AC motor
27	100.65.40.100	Switchbox, 230 V / 50 CPS
	102.65.40.100	Switchbox, 220-230 V / 60 CPS + three-phase AC current
28	000.65.10.041	Running capacitor
29	000.65.62.211	Switchknob
30	000.65.60.253	Switch
	000.65.60.401	Switch three-phase AC motor
31	000.65.10.061	Starting capacitor
	000.65.10.131	Starting capacitor USA
32	000.65.20.035	Universal contactor
	000.65.20.032	Universal contactor complete, three-phase AC motor
33	102.65.60.100	Emergency switch
34	000.65.62.221	Red button for emergency switch

SPARE PARTS



HUMMEL 6
12.02.2001

SPARE PARTS

Pos.	Product-No.	Description
2	000.01.40.110	MultiClip
3	000.65.53.251	Extension cable 3 x 2.5 mm ² , 10 m long
	000.65.53.252	Extension cable 3 x 2.5 mm ² , 20 m long
	000.65.55.151	Extension cable 5 x 1.5 mm ² , 10 m long, three-phase AC motor
4	000.01.20.010	Protective mask P3
5	000.01.50.010	Safety belt
6	000.95.21.103	Closed mouth wrench
7	000.95.11.171	Open mouth wrench
8	000.93.11.061	Hexagonal socket screw wrench 6 mm
9	000.93.11.051	Hexagonal socket screw wrench 5 mm
10	000.93.11.041	Hexagonal socket screw wrench 4 mm
11	100.00.50.100	Setting fixture
12	100.00.45.105	Box wrench
13	000.01.30.011	Tool bag, empty
	100.98.00.100	Tool bag, complete
20	720.00.00.200	Trolley TRANSCART, complete
21	000.01.10.011	Foldable earmuff type MUSIMUFF
22	000.01.10.021	Foldable earmuff type POCKET
23	000.01.65.010	DI-safety plug
24	100.00.55.100	Carrying handle HUMMEL
25	701.10.00.100	Impact tool
26	702.00.00.100	Parquet layer tool 43 cm long
27	703.00.00.100	Parquet layer tool 55 cm long
30	720.10.00.200	Accessories TRANSCART
31	720.05.00.205	Wheel TRANSCART
40	000.10.42.240	Milling drum 200 mm width, complete with accessories
41	900.02.45.105	Carbide tool (10 pcs. per box)
42	900.02.47.105	Screw for blade
43	000.10.42.241	Milling drum with carbide blades
44	000.10.42.243	Cutting depth adjustment, complete
45	000.91.30.151	Torx screw driver