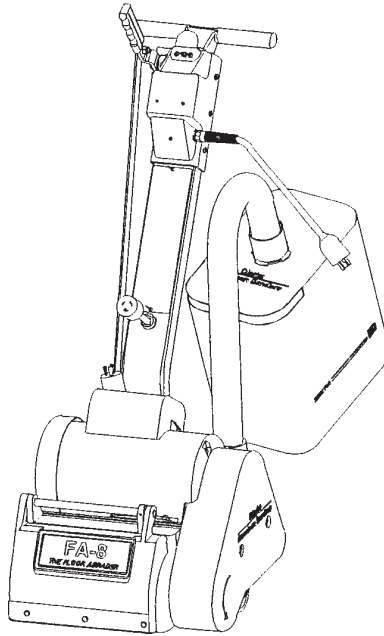

Clarke®

American Sanders

FA-8

THE FLOOR ABRADER



Operator's Manual

Manual del operador

Manuel de l'utilisateur



READ THIS BOOK
LEA ESTE MANUAL
LISEZ CE MANUEL

EN English (2 - 11)
ES Español (12 - 21)
FR Français (22 - 31)

This book has important information for the use and safe operation of this machine. Failure to read this book prior to operating or attempting any service or maintenance procedure to your Clarke American Sanders machine could result in injury to you or to other personnel; damage to the machine or to other property could occur as well. You must have training in the operation of this machine before using it. If your operator(s) cannot read this manual, have it explained fully before attempting to operate this machine.

All directions given in this book are as seen from the operator's position at the rear of the machine.

For new books write to: Clarke®, 2100 Highway 265, Springdale, Arkansas 72764

Contents of this Book

Operator Safety Instructions	3
Introduction and Machine Specifications	5
How to Transport the Machine	6
Machine Set-Up	6
How to Operate the Machine	9
Sander Adjustment Procedures	10
Routine Maintenance	10
Troubleshooting	11

Section II Parts and Service Manual

Assembly Drawing #1	34
Assembly Parts List #1	35
Assembly Drawing #2	36
Assembly Parts List #2	37
Wiring Diagram	38

OPERATOR SAFETY INSTRUCTIONS

DANGER means:	Severe bodily injury or death can occur to you or other personnel if the DANGER statements found on this machine or in this Operator's Manual are ignored or are not adhered to. Read and observe all DANGER statements found in this Operator's Manual and on your machine.
WARNING means:	Injury can occur to you or to other personnel if the WARNING statements found on your machine or in this Operator's Manual are ignored or are not adhered to. Read and observe all WARNING statements found in this Operator's Manual and on your machine.
CAUTION means:	Damage can occur to the machine or to other property if the CAUTION statements found on your machine or in this Operator's Manual are ignored or are not adhered to. Read and observe all CAUTION statements found in this Operator's Manual and on your machine.



DANGER:



Failure to read the Operator's Manual before operating or servicing this sanding equipment could result in injury to the operator or to bystanders and could cause damage to the equipment. Read and observe all safety statements found in this manual and on the sanding equipment. Make sure all labels, decals, warnings, cautions and instructions are fastened to the equipment. Replace any that are damaged or missing. You must have training in the operation of this equipment before using it. **If the operator is unable to read this manual, have it explained fully before they attempt to use this equipment.**



DANGER:



Finishing wood floors can create an environment that can be explosive. The following safety procedures must be adhered to:

- Cigarette lighters, pilot lights and any other source of ignition can create an explosion when active during a sanding session. All sources of ignition should be extinguished or removed entirely if possible from the work area.
- Work areas that are poorly ventilated can create an explosive environment when certain combustible materials are in the atmosphere, i.e., solvents, thinners, alcohol, fuels, certain finishes, wood dust and other combustible materials. The machinery can cause flammable material and vapors to burn. Read the manufacturer's label on all chemicals used to determine combustibility. Keep the work area well ventilated.
- An accumulation of dust can self-ignite and cause injury or damage and should be disposed of properly. Always empty the dust into a metal container that is located outside of any building(s).
- Do not empty the contents of the dust bag into a fire.
- In the event of a bag fire, injury can occur to the operator if the operator is tied or strapped to equipment.

**DANGER:**

Operating partially assembled machinery could result in injury to the operator or bystander and could cause damage to the equipment or to other property.

- Do not operate this equipment unless it is fully assembled and all guards, doors and covers are secured.
- Keep all fasteners tight.
- Keep all adjustments within manufacturers specifications.

**DANGER:**

Moving parts on this machinery can cause injury to the operator or bystanders.



- Keep hands, feet and loose clothing away from all moving parts.
- Do not change or adjust the abrasive while the machine is running.
- Do not service the machine while it is running.

**DANGER:**

This machine requires a supply of electricity. Improper use could result in electrical shock or fire.



- Connect only to an electrical source matching what is shown on the equipment name-plate.
- Do not use this machine on an ungrounded electrical circuit. Consult an electrician if you suspect the circuit is not properly grounded.
- Do not use this machine with a damaged electrical cord. Inspect before each use.
- Avoid striking the electrical cord with the abrasive. Always lift the electrical cord over the machine.
- Do not use the electrical cord to move the machine.
- Disconnect the electrical source before servicing this machine.

**WARNING:**

Injury to the operator or bystander can occur if protective gear is not worn while sanding. Always use eye, ear, and respiratory protection while performing any sanding operation.

**WARNING:**

This machine is not to be used on pressure treated wood. Some pressure treated woods contain arsenic and sanding pressure treated wood produces hazardous dust. Inhaling hazardous dust from pressure treated wood can cause serious injury or death. Abrading pressure treated wood decks or uneven surfaces can damage the sander which is not covered under warranty or damage waiver.

**WARNING:**

Bodily injury could occur if power is applied to the equipment with the power switch already in the "ON" position. Always check to assure that the power switch is in the "OFF" position before connecting power supply.

**CAUTION:**

Maintenance and repairs performed by unauthorized personnel could result in damage or injury. Maintenance and repairs performed by unauthorized personnel will void your warranty. Servicing of this unit must always be referred to an authorized Clarke American Sanders distributor.

**CAUTION:**

Use of this machine to move other objects or to climb on could result in injury or damage. Do not use this machine as a step or furniture. Do not ride on this machine.

**CAUTION:**

Damage could occur to the equipment if not properly kept in a dry building for storage. Store the machine in a dry building.

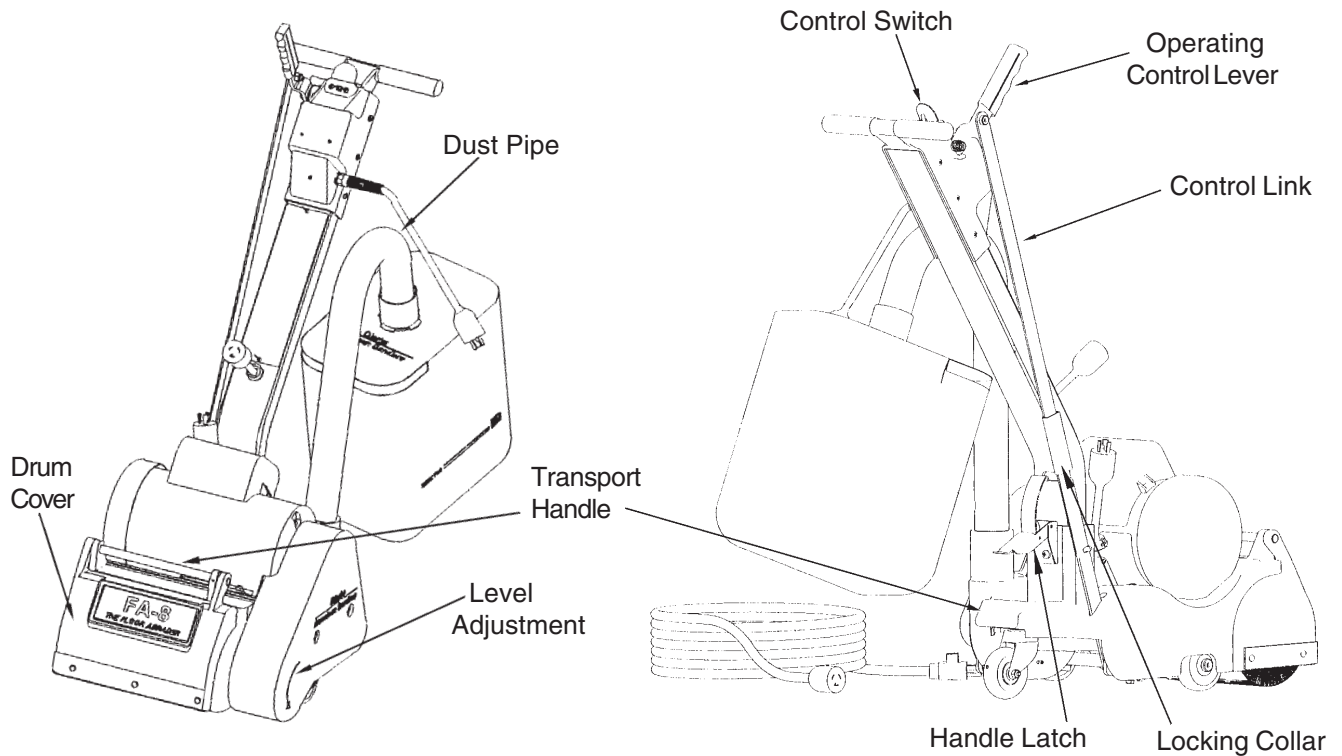
**CAUTION:**

The machine is heavy. When transporting the machine, remove the motor. Get help to lift the machine and motor.

**CAUTION:**

Use only Clarke American Sanders' abrasive on this machine.

Introduction & Machine Specifications



This machine was designed to supply abrasion to coated surfaces before recoating. Abrasion provides anchor sites that promote adhesion of the new coating to the existing coating. This machine is suitable for use on factory finished or site finished wood floors. This machine is recommended for beveled, micro beveled, and sculptured factory or site finished wood floors. It is especially suited for use on uneven or sculpted floors where traditional methods would otherwise damage the finish or alter the sculpting.

Model	07166A
Abrasive Size	6" x 7½" (152mm x 190mm)
Abrasive Rate	950 rpm
Operating Controls	Lever Operated
Motor	5/8 Hp (470W) TEFC 1Ø
Power Cable	50' 14-3 Abrasion Resistant
Voltage/Frequency	115 / 60
Amperage	8
Dimensions (in)*	21½x16x35½"
Weight (lbs)*	125 lbs (56.8 kg)

**Shipping Value*



CAUTION: Your equipment may be inappropriate on some installations. Always consult with the flooring manufacturer on the proper installation, preparation, and finishing of their product. Determine suitability of your equipment in preparing the product.

How to Transport the Machine

Transporting the Machine With Limited Cargo Area:

1. To transport the machine, remove the handle, dust pipe and bag. Follow steps in figure 1.
2. Lift chassis with transport handles and place in cargo area.

⚠ WARNING: Machine is heavy (95 lbs.). To avoid injury or damage, grasp transport handles firmly; use proper lifting technique.

2. Secure chassis to prevent movement in cargo area. Place handle and dust pipe in cargo area.

Machine Set-up

To set up the machine follow the steps called out in figure 1:

1. Familiarize yourself with the machine. Read all danger, warning, and caution statements as well as the Operator's Manual. If operator is unable to read this manual, have the manual explained before operating.
2. Install handle (1) and fasten latch (2).
3. Insert control link into notch and slide collar to pin (3). Raise sanding drum with control lever.
4. Install dust tube (4) into machine and dust bag (5) onto dust tube..
5. Connect the handle pitgtail (6) to the motor cord (7). Align ground pin, insert and twist.

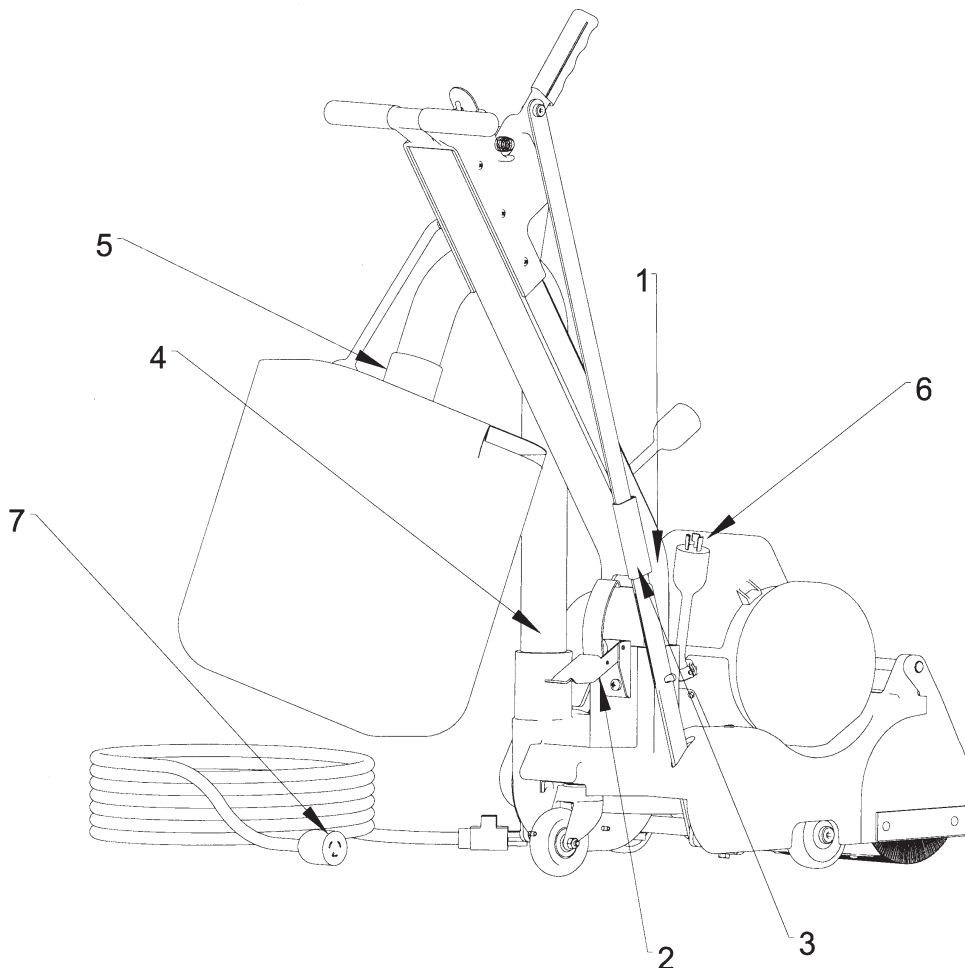


Figure 1

MACHINE SET-UP

6. This sanding machine is designed to be operated with a remote vacuum dust collection system or with the included dust bag. Follow the procedures below:

Preparing Remote Vacuum Dust Collection Systems

To prepare the machine for remote vacuum dust collection systems that have a 2" hose end, follow this procedure:

1. Install 2" hose end (figure 2, A) directly over the exhaust tube (figure 2, B).
2. The exhaust tube can be rotated for optimum convenience.

To prepare the machine for remote vacuum dust collection systems that have a 1 ½" hose end, follow this procedure:

1. Install the 2" x 1½" hose end adaptor (Part No. 30563A) (figure 2, C) over the exhaust tube (figure 2, B).
2. Insert 1 ½" hose end (figure 2, D) into the adaptor (figure 2, C).

NOTE: Start the remote vacuum collection system before operation.

Preparing to use the included dust bag

To prepare the machine for use with the included dust bag, follow this procedure:

1. Install the dust bag by pressing the end onto the exhaust tube until the ring locks into the groove (figure 3). This is best done by pressing on the back of the bag opening with the palm of your hand.
2. The exhaust tube can be rotated for optimum convenience.
3. To remove the dust bag from the exhaust tube, pry the end of the bag opening to partially release the internal rib from the groove, then pull.
4. To empty the dust bag, unzip the disposal flap and force contents out by inverting the bag.

NOTE: For best results, empty frequently. Follow all warnings posted in this manual and on the dust bag.

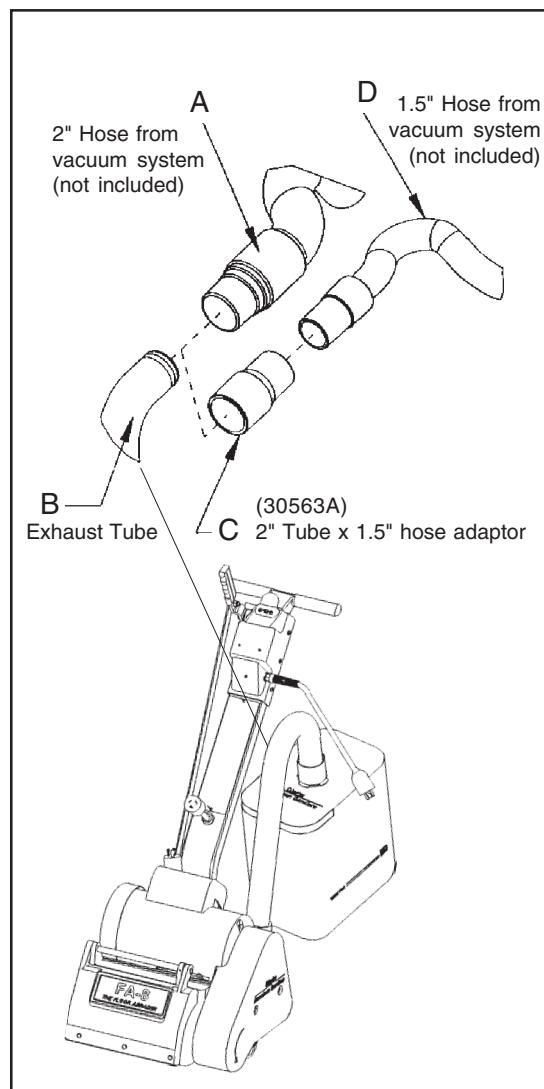


Figure 2

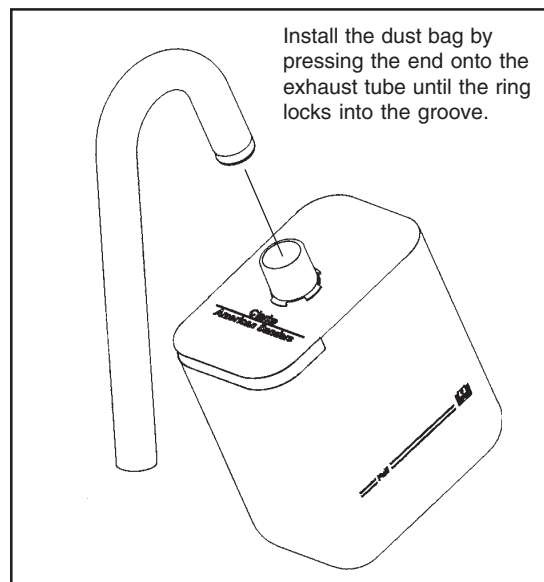


Figure 3

MACHINE SET-UP

Installing Abrasive

To install abrasive on machine follow the procedure in figure 4.
See page 34 for abrasive selection.

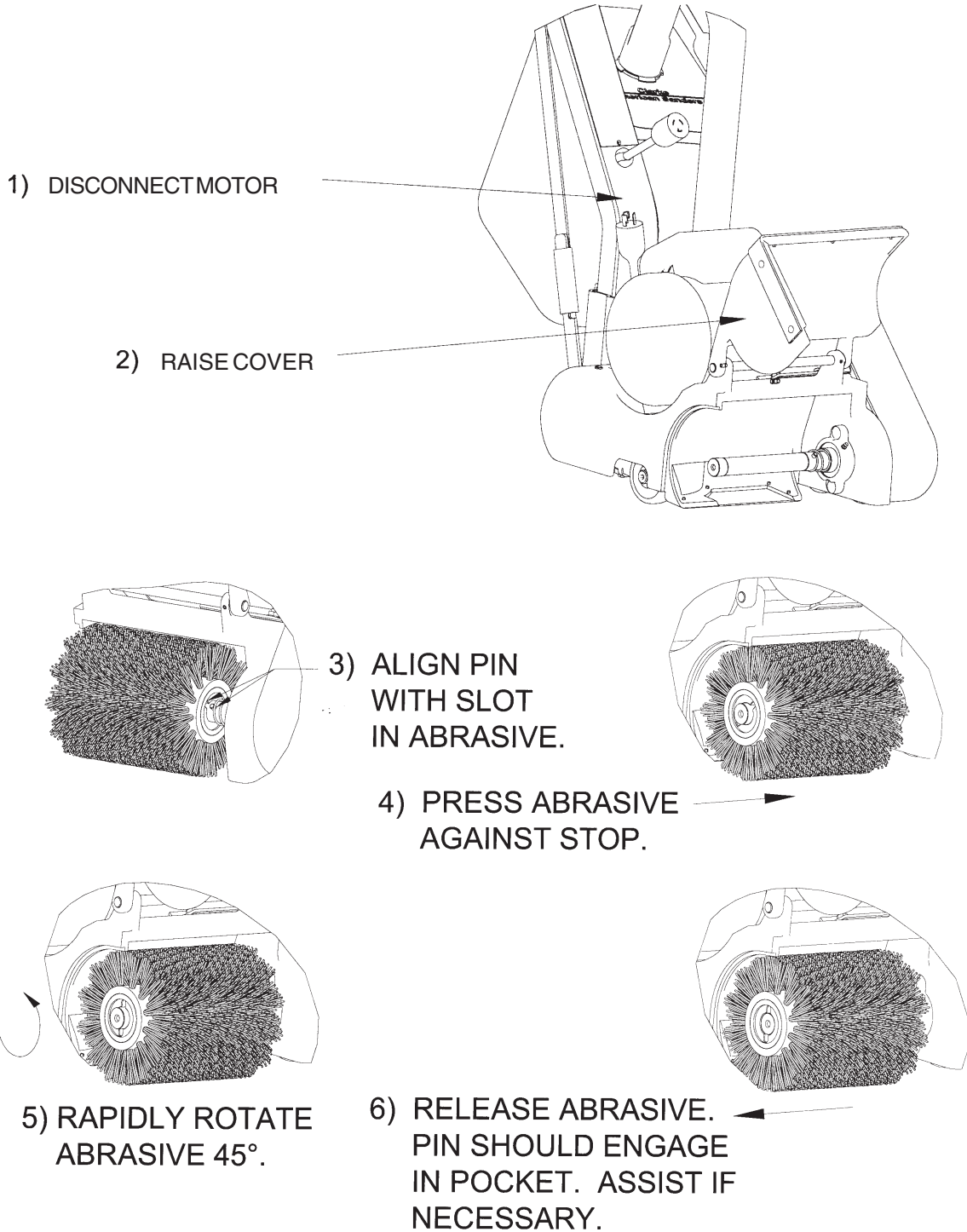


Figure 4

How to Operate the Machine

For a successful re-coat of an existing floor, first clean the floor to remove waxes and contaminants. Abrade the wall line or any areas unreachable by the machine.

1. Connect the power supply cable to an appropriately grounded and fused outlet. Connect the power supply cable to the cord adaptor attached to the control housing (see item 7 page 6). Press the selector switch to the start (S) position. Once started allow the switch to return to the run (R) position.
2. The recommended approach is to use the "pass" method with this machine. A single pass consists of a forward advancement on the machine and a reverse return to the starting point while retracing the forward advancement. Overlap the previous pass and repeat. You may index in this way to the right or left of the machine across the area to be done.
3. Use the control lever to lower the abrasive to the floor. Keep the machine in motion while the abrasive is in contact with the floor. Adjust pace for adequate abrasion. For best results index the machine in 3" increments with a pace of 12-15 inches per second. See figure 5.

NOTE: You may add up to 10 lbs. to the machine which will enhance abrasion in some instances.

CAUTION: To prevent damage to the surface, make sure the machine is always moving when the abrasive is contacting the floor.

4. Use the control lever to raise the abrasive when reversing or overlapping.
5. You may advance the machine against (fig. 5A) or with the direction of the flooring (fig. 5B) to reduce the amount of unreachable area and best coverage on the floor.
6. Press the selector switch to the off position whenever emptying the dust bag or when the job is completed. Disconnect the supply cable.
7. Empty the dust bag frequently.

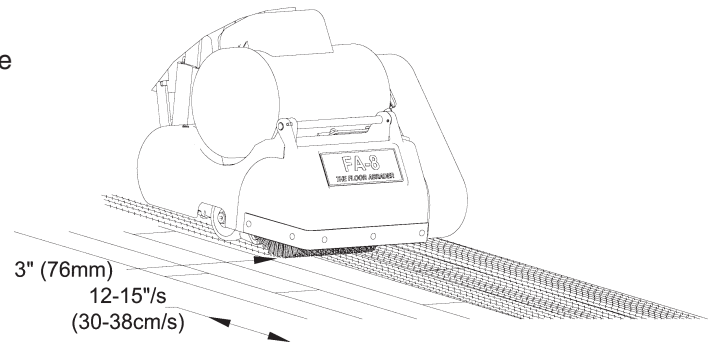


Figure 5

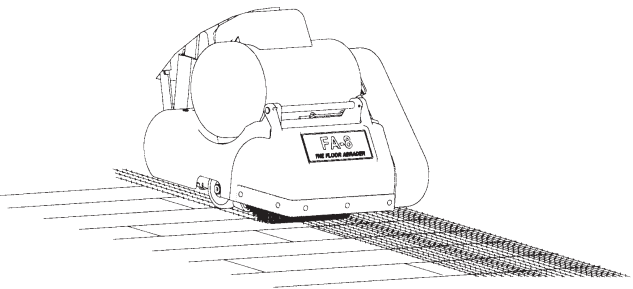


Figure 5A

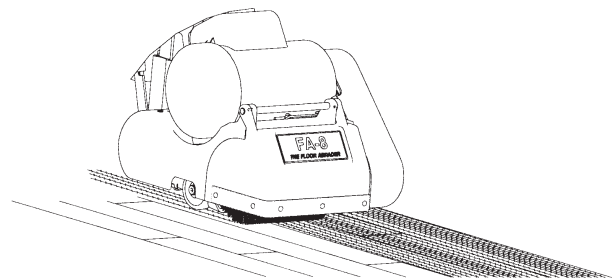


Figure 5B

Sander Adjustment Procedures

⚠ DANGER: Electrocutation could occur if maintenance and repairs are performed on a unit that is not properly disconnected from the power source. Disconnect the power supply before attempting any maintenance or service.

⚠ DANGER: Moving parts of this machine can cause serious injury and/or damage. Keep hands, feet and loose clothing away from all moving parts of the sander.

The following information provides details on how to adjust different features/controls of the sander.

Dust Shoe

To adjust the dust shoe follow this procedure:

1. Disconnect machine from power supply.
2. Loosen the four screws fastening the dust shoe to the chassis.
3. Adjust the dust shoe towards the drum to improve recovery of fine particles.
4. Adjust the dust shoe away from the drum to improve recovery of coarse particles.
5. Align the dust shoe with the drum and tighten screws.

Leveling

To adjust the machine leveling follow this procedure:

1. Locate the leveling screw. See figure # 6.
2. Tighten the screw (compress the leveling spring) to sand heavier on drive belt side of sanding drum.
3. Loosen the leveling screw (relax the leveling spring) to sand heavier on the side opposite the drive belts as shown in figure 6.

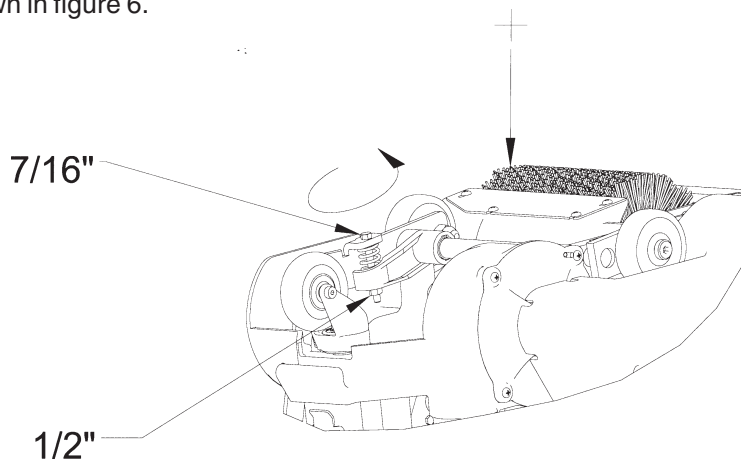


Figure 6

Routine Maintenance

The following items need to be periodically inspected and maintained to keep your sander in good working condition.

Wheels

Periodically remove the debris from the truck and caster wheels. Debris can cause waves on a sanded surface.

Dust Bag

Remove the dust bag from the machine and shake it thoroughly to remove the sanding dust from the dust bag. Turn the dust bag inside out and machine wash in cold water to prevent pore blockage and loss of dust recovery.

Drive Belt

Periodically check the drive belts for cracks or frayed edges. Frayed edges may indicate poor tracking. Realign effected belt.

Bearings

Periodically check the bearings for wear or damage according to the following schedule.

<i>Arbor shaft</i>	Relubricate every 150 hrs. w/. 10 oz. of a NLGI grade 2, -30°F to 250°F, 58-75 SUS at 210° F, grease lubricant.
<i>Motor shaft</i>	after 1 st 5000 hrs.
<i>Fan shaft</i>	After first 1500 hrs.

Troubleshooting

Problem	Cause	Action
Drive belts slip.	Damaged belt. Insufficient tension. Poor belt tracking.	Replace belt. Tension drive belt. Align Pulley.
Squealing, growling or grinding noise coming from machine.	Damage and/or worn bearing.	Remove drive belts, rotate arbor motor and fan shafts to locate dragging or rough bearing. Contact an authorized Clarke American Sanders dealer.
Dust pick-up is poor.	Dust bag is dirty. Dust shoe is improperly adjusted.	Shake debris from bag and wash. Readjust dust shoe.
Motor will not start.	Defective motor starter. Defective start capacitor. Defective start switch. Poor connections. Motor overload tripped. Defective motor. No power.	Contact an authorized Clarke American Sanders dealer. Contact an authorized Clarke American Sanders dealer. Contact an authorized Clarke American Sanders dealer. Check connections. Remove power. Depress reset button on motor Contact an authorized Clarke American Sanders dealer. Check power supply and connections.
Motor runs sluggishly.	Low voltage from excessive length, undersized extension cord, or poor connection. Defective run capacitor. Defective motor.	Locate power source nearer to work site. Check connections. Contact an authorized Clarke American Sanders dealer. Contact an authorized Clarke American Sanders dealer.
Motor overload trips/repeatedly trips	Low voltage from excessive length, undersized extension cord, or poor connection. Excessive load. Defective start switch. Defective motor starter. Defective motor. Defective capacitor.	Remove power, allow motor to cool. Depress reset button on motor. Locate power source nearer to worksite. Check connections. Contact an authorized Clarke American Sanders dealer. Contact an authorized Clarke American Sanders dealer. Contact an authorized Clarke American Sanders dealer. Contact an authorized Clarke American Sanders dealer. Contact an authorized Clarke American Sanders dealer. Contact an authorized Clarke American Sanders dealer.
Uneven abrasion.	Leveling out of adjustment.	Readjust leveling.

LEA ESTE MANUAL

Este manual contiene información importante acerca del uso y la seguridad de la máquina. Si no lee el manual antes de utilizar su máquina Clarke American Sanders o de intentar realizar los procedimientos de reparación o mantenimiento de la misma, usted o el resto del personal podrían sufrir lesiones; asimismo, podrían producirse daños a la máquina o a otras propiedades. Antes de utilizar la máquina, es necesario recibir la capacitación adecuada en la operación de la misma. Si el operador de la máquina no sabe leer en español, explíquelo el manual exhaustivamente antes de que intente utilizarla.

Todas las indicaciones incluidas en este manual se ofrecen desde la posición del operador en la parte posterior de la máquina.

Si desea conseguir nuevos manuales, escriba a: Clarke®, 2100 Highway 265, Springdale, Arkansas 72764.

Instrucciones de seguridad para el operador	13
Introducción y especificaciones de la máquina	15
Cómo transportar la máquina	16
Instalación de la máquina	16
Operación de la máquina	19
Procedimientos de ajuste de la lijadora	20
Mantenimiento de rutina	20
Resolución de problemas	21

Sección II Repuestos y manual de servicio

Plano de montaje #1	34
Listado de piezas de montaje #1	35
Plano de montaje #2	36
Listado de piezas de montaje #2	37
Plano de cableado.....	38

INSTRUCCIONES DE SEGURIDAD PARA EL OPERADOR

PELIGRO significa: Usted u otras personas pueden estar expuestos a sufrir lesiones personales, inclusive la muerte si las indicaciones de **PELIGRO** que se encuentran en esta máquina o en el manual de instrucciones se ignoran o no se tienen en cuenta. Lea y respete todas las indicaciones de **PELIGRO** que se encuentran en el manual de instrucciones y en la máquina.

ADVERTENCIA significa: Usted u otras personas pueden estar expuestos a sufrir lesiones personales, si las indicaciones de **ADVERTENCIA** que se encuentran en esta máquina o en el manual de instrucciones se ignoran o no se tienen en cuenta. Lea y respete todas las indicaciones de **ADVERTENCIA** que se encuentran en el manual de instrucciones y en su máquina.

PRECAUCIÓN significa: La máquina u otros bienes pueden sufrir daños materiales si las indicaciones de **PRECAUCIÓN** que se encuentran en la máquina o en el manual de instrucciones se ignoran o no se tienen en cuenta. Lea y respete todas las indicaciones de **PRECAUCIÓN** que se encuentran en el manual de instrucciones y en la máquina.



PELIGRO:



En caso de que no se lea el manual de instrucciones antes de operar este equipo de lijado o realizar el mantenimiento del mismo podría resultar en que el operador u otras personas en el área sufriesen lesiones personales y el equipo podría sufrir daños materiales. Lea y respete todas las indicaciones de seguridad que se encuentran en este manual y en el equipo de lijado. Asegúrese que todas las etiquetas, calcomanías, advertencias, precauciones e instrucciones estén adheridas a la máquina. Reemplace cualquier indicación que esté dañada o falte. Antes de utilizar el equipo, es necesario recibir la capacitación adecuada en la operación del mismo. **Si el operador no puede leer este manual, explíquese exhaustivamente antes que intente utilizar este equipo.**



PELIGRO:



El acabado de pisos de madera puede crear un entorno que puede ser explosivo. Se deberán tener en cuenta los siguientes procedimientos de seguridad:

- Los encendedores, las lámparas indicadoras y cualquier otra fuente de ignición pueden provocar una explosión si se activan durante una sesión de lijado. Si es posible, apague o retire por completo todas las fuentes de ignición del área de trabajo.
- Las áreas de trabajo que estén muy poco ventiladas pueden crear un entorno explosivo cuando se encuentran determinados materiales combustibles en la atmósfera: por ejemplo, solventes, diluyentes, alcoholes, combustibles, ciertos acabados, polvo de madera y otros materiales combustibles. La máquina puede provocar la combustión de los materiales y vapores inflamables. Lea la etiqueta del fabricante sobre todas las sustancias químicas utilizadas para determinar su combustibilidad. Mantenga el área de trabajo bien ventilada.
- Una acumulación de polvo se puede auto encender y causar lesiones o daños y se la debe eliminar adecuadamente. Vacíe siempre el polvo dentro de un recipiente de metal que esté localizado fuera de cualquier edificio.
- No vacíe el contenido de la bolsa de polvo en el fuego.
- En el caso de que la bolsa se prenda fuego, el operador puede resultar lesionado si está atado o sujeto al equipo.



PELIGRO:

La operación de maquinaria parcialmente ensamblado podría provocar que el operador o las personas en el área de trabajo sufriesen lesiones, y también podría causar daños materiales al equipo o a otros bienes.

- No opere este equipo a menos que esté totalmente ensamblado y que todas las protecciones, puertas y tapas estén bien aseguradas en su lugar.
- Mantenga todas las sujeciones apretadas.
- Mantenga todos los ajustes dentro de las especificaciones del fabricante.



PELIGRO:



Las partes móviles de esta máquina pueden causar lesiones al operador o a las personas que se encuentren en el área de trabajo.

- Mantenga las manos, los pies y la vestimenta suelta alejados de todas las partes móviles.
- No cambie ni ajuste el abrasivo mientras la máquina esté en funcionamiento.
- No realice ningún servicio de reparación o mantenimiento la máquina mientras esté en funcionamiento.



PELIGRO:



Esta máquina requiere un suministro de electricidad. El uso inadecuado podría provocar una descarga eléctrica o un incendio.

- Conecte únicamente a un suministro eléctrico que coincida con lo que se muestra en la placa de identificación del equipo.
- No utilice esta máquina sobre un circuito eléctrico sin conexión a tierra. Consulte con un electricista si sospecha que el circuito no está adecuadamente conectado a tierra.
- No utilice esta máquina con un cable eléctrico dañado. Inspecciones antes de cada uso.
- Evite golpear el cable eléctrico con el abrasivo. Eleve siempre el cable eléctrico sobre la máquina.
- No utilice el cable eléctrico para mover la máquina.
- Desconecte el suministro eléctrico antes de realizar un servicio de reparación o mantenimiento la máquina.



ADVERTENCIA:



Si no se utilizan los dispositivos de protección personal correctos mientras se realiza el lijado, el operador o cualquier persona en el área de trabajo pueden sufrir lesiones. Utilice siempre protección respiratoria, ocular y auditiva mientras realice una operación de lijado.



ADVERTENCIA:



La máquina no debe utilizarse sobre madera tratada a presión. Algunas maderas tratadas a presión contienen arsénico y si se pule madera tratada a presión produce un polvo nocivo. La inhalación de polvo nocivo de madera tratada a presión puede causar lesiones serias o la muerte. Raer plataformas o superficies irregulares de madera tratada a presión pueden dañar la máquina ques no está cubierto por la garantía ni por is Renuncia de Daños.



ADVERTENCIA:

Pueden producirse lesiones personales si se aplica potencia al equipo con el interruptor de alimentación ya situado en la posición "ON" (Encendido). Asegúrese siempre de que el interruptor de alimentación esté en la posición "OFF" (Apagado) antes de conectar la fuente de alimentación.



PRECAUCIÓN:

El mantenimiento y las reparaciones realizados por personal no autorizado podrían producir daños materiales o lesiones personales. El mantenimiento y las reparaciones realizadas por personal no autorizado anularán su garantía. El mantenimiento y las reparaciones de esta unidad siempre deben ser realizados por un distribuidor autorizado de Clarke American Sanders.



PRECAUCIÓN:

Si utiliza este equipo para desplazar otros objetos o para subirse al mismo se pueden producir lesiones o daños. No utilice este equipo como escalera ni como mueble. No se suba al equipo.



PRECAUCIÓN:

Si el equipo no se guarda correctamente en un edificio sin humedad podría resultar dañado. Guarde el equipo en un lugar seco.



PRECAUCIÓN:

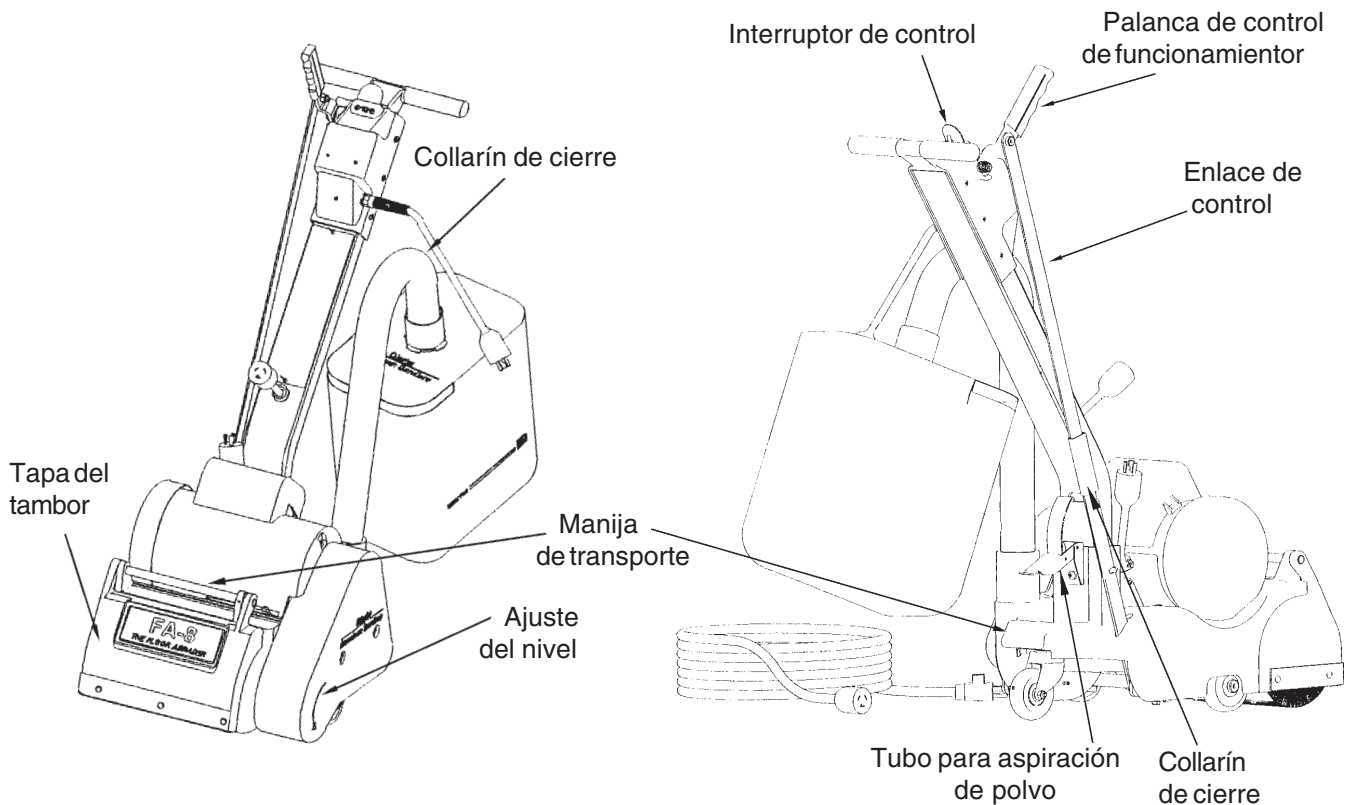
El equipo es pesado. Cuando transporte el equipo, extraiga el motor. Consiga ayuda para elevar el equipo y el motor.



PRECAUCIÓN:

En esta máquina use únicamente el abrasivo de Clarke American Sanders.

Introducción y especificaciones de la máquina



Esta máquina ha sido diseñada para proporcionar abrasión de superficies revestidas, antes de realizar el recubrimiento. La abrasión suministra puntos de anclaje que facilitan la adherencia del nuevo revestimiento sobre el revestimiento anterior. Esta máquina es adecuada para ser utilizada en pisos de madera con acabado en fábrica o realizado en el lugar. Se recomienda esta máquina para pisos de madera biselados, micro biselados y esculpidos en fábrica o con acabado en el lugar. Es especialmente adecuada para ser utilizada en pisos desparejos o esculpidos en los cuales los métodos tradicionales dañarían el acabado o alterarían el esculpido.

Model	07166A
Tamaño de abrasivo	152mm x 190mm
Tasa de abrasivo	950 rpm
Controles operativos	Mango ajustable
Motor	5/8 Hp (470W) TEFC 1Ø
Cable de alimentación	15m 14-3 resistente a la abrasión
Tensión (V) / Frecuencia (Hz)	115 / 60
Corriente (A)	8
Dimensiones (cm)*	56 x 41 x 90
Weight (kg)*	59.8

*Valor de envío

⚠ PRECAUCIÓN: Su equipo puede ser inadecuado para algunas instalaciones. Consulte siempre con el fabricante del piso sobre la instalación, preparación y acabado correctos de su producto. Determine si su equipo es adecuado al preparar el producto.

Cómo transportar la máquina

Transporte de la máquina con carga limitada:

Para mover la máquina siga este procedimiento:

1. Para trasladar la máquina, retire la empuñadura, el tubo de polvo y la bolsa. Siga los pasos de la figura 1.
2. Levante el chasis con las manijas de transporte y colóquelo en el brea de carga. Consulte la figura 4.

⚠ ADVERTENCIA: La máquina es pesada (43,2 kg). Para evitar lesiones o daños sujete las manijas de transporte con firmeza; use técnicas adecuadas de elevación.

3. Asegure el chasis para evitar movimientos en el brea de carga. Coloque la manija y el tubo de aspiración de polvo en el brea de carga.

Instalación de la máquina

Para armar la máquina siga los pasos de la figura 1:

1. Familiarícese con la máquina y lea todas las indicaciones de peligro, advertencia y precaución. Asegúrese de que todos los operadores de la máquina hayan leído este manual de instrucciones. Si ellos no pueden leer este manual, explíqueles el mismo por completo antes de permitirles operar la lijadora.
2. Instale la manija (1) y fíjela segura (2).
3. Inserte el enlace de control en la ranura y deslice el collarín hasta la clavija (3). Levante el tambor de lijado con la palanca de control.
4. Instale el tubo de polvo (4) en la máquina y la bolsa de polvo (5) en el tubo de polvo.
5. Conecte el cable flexible de la manija (6) al cable del motor (7). Alinee la clavija de tierra, insértela y tuérzala.

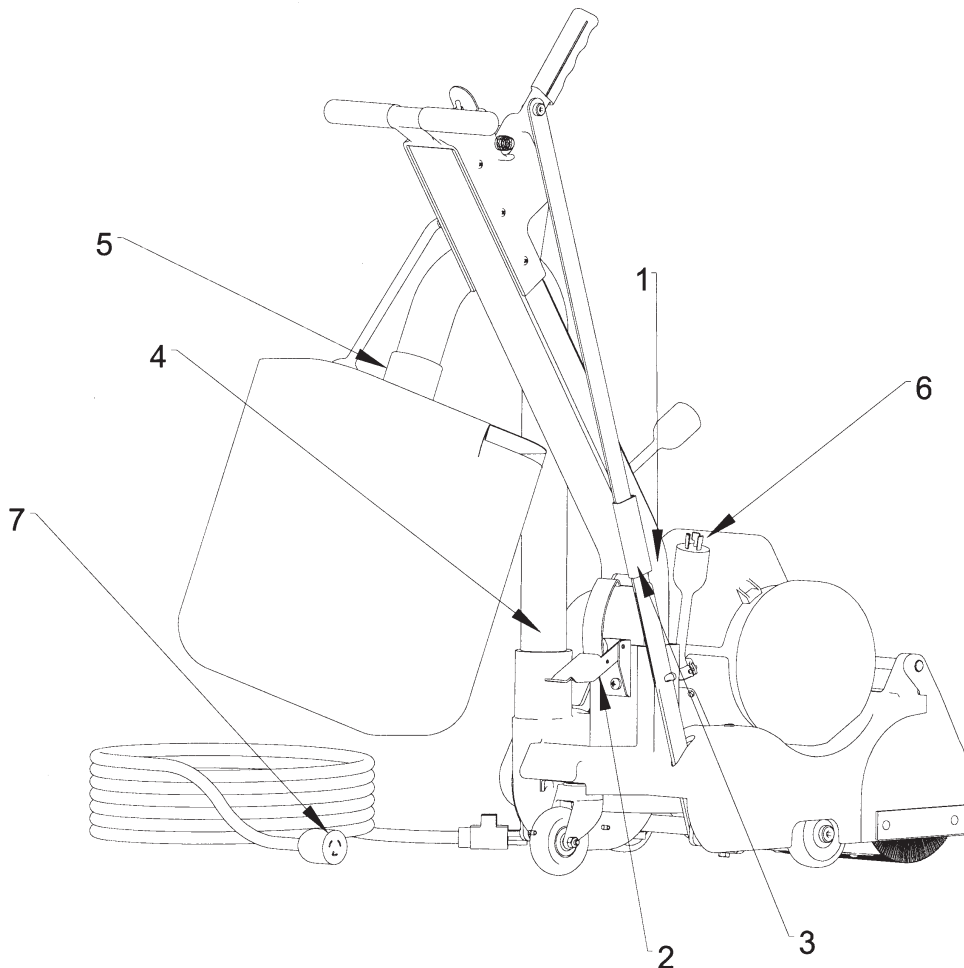


Figura 4

Instalación de la máquina

- Esta lijadora está diseñada para utilizarse con un sistema colector de polvo remoto mediante vacío o con la bolsa de polvo incluida. Siga este procedimiento:

Preparación de los sistemas colectores de polvo remotos mediante vacío

Si desea preparar la máquina para sistemas colectores de polvo remotos mediante vacío que tengan un extremo de manguera de 2", siga este procedimiento:

- Instale el extremo de manguera de 2" (figura 9, A) directamente sobre el tubo de escape (figura 9, B).
- El tubo de escape puede girarse para mayor comodidad.

Si desea preparar la máquina para sistemas colectores de polvo remotos mediante vacío que tengan un extremo de manguera de 1 ½", siga este procedimiento:

- Instale el adaptador del extremo de manguera de 2" x 1 ½" (Nº de pieza 30563A) (figura 9, C) sobre el tubo de escape (figura 9, B).
- Inserte el extremo de manguera de 1 ½" (figura 9, D) en el adaptador (figura 9, C).

NOTA: Ponga en marcha el sistema colector remoto mediante vacío antes de encender la máquina.

Preparación para usar la bolsa de polvo incluida

Si desea preparar la máquina para su uso con la bolsa de polvo incluida, siga este procedimiento.

- Instale la bolsa de recolección de polvo presionando el extremo del tubo de escape hasta que el anillo encaje dentro de la ranura (figura 10). El mejor modo de hacer esto es presionando la parte posterior de la abertura de la bolsa con la palma de su mano.
- El tubo de escape puede girarse para mayor comodidad.
- Para retirar la bolsa de polvo del tubo de escape, haga palanca hacia arriba en el extremo de la abertura de la bolsa para liberar parcialmente el saliente interno de la ranura, y después tire.
- Para vaciar la bolsa de polvo, abra la aleta de vaciado y saque sus contenidos dando la vuelta a la bolsa.

NOTA: Para lograr los mejores resultados, vacíe frecuentemente. Siga todas las advertencias incluidas en el manual y en la bolsa de polvo.

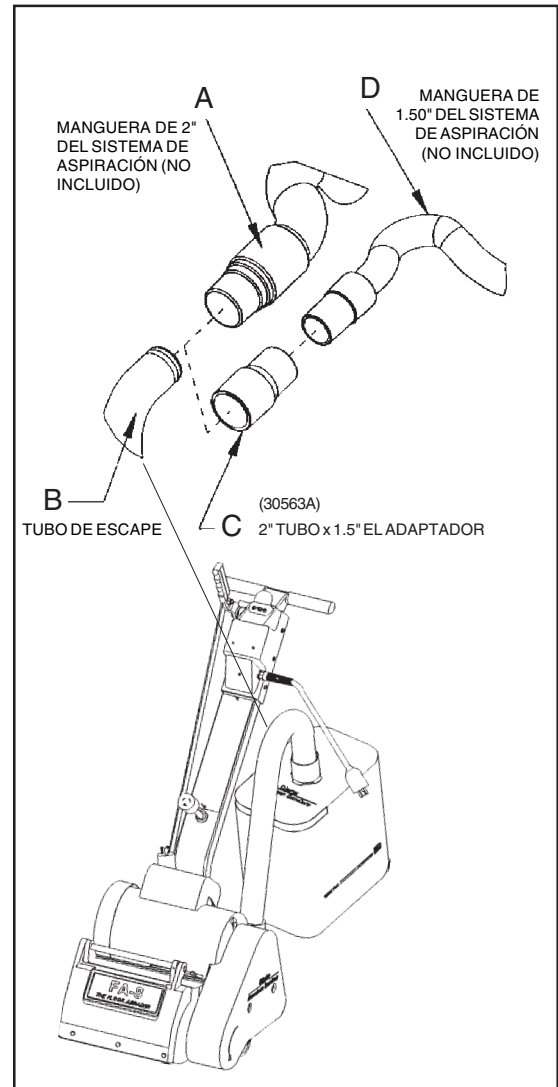


Figura 9



Figura 10

Instalación de la máquina

Instalación del abrasivo:

Para instalar el abrasivo en la máquina siga el procedimiento de la figura 4.
Vea la página 34 para seleccionar el abrasivo.

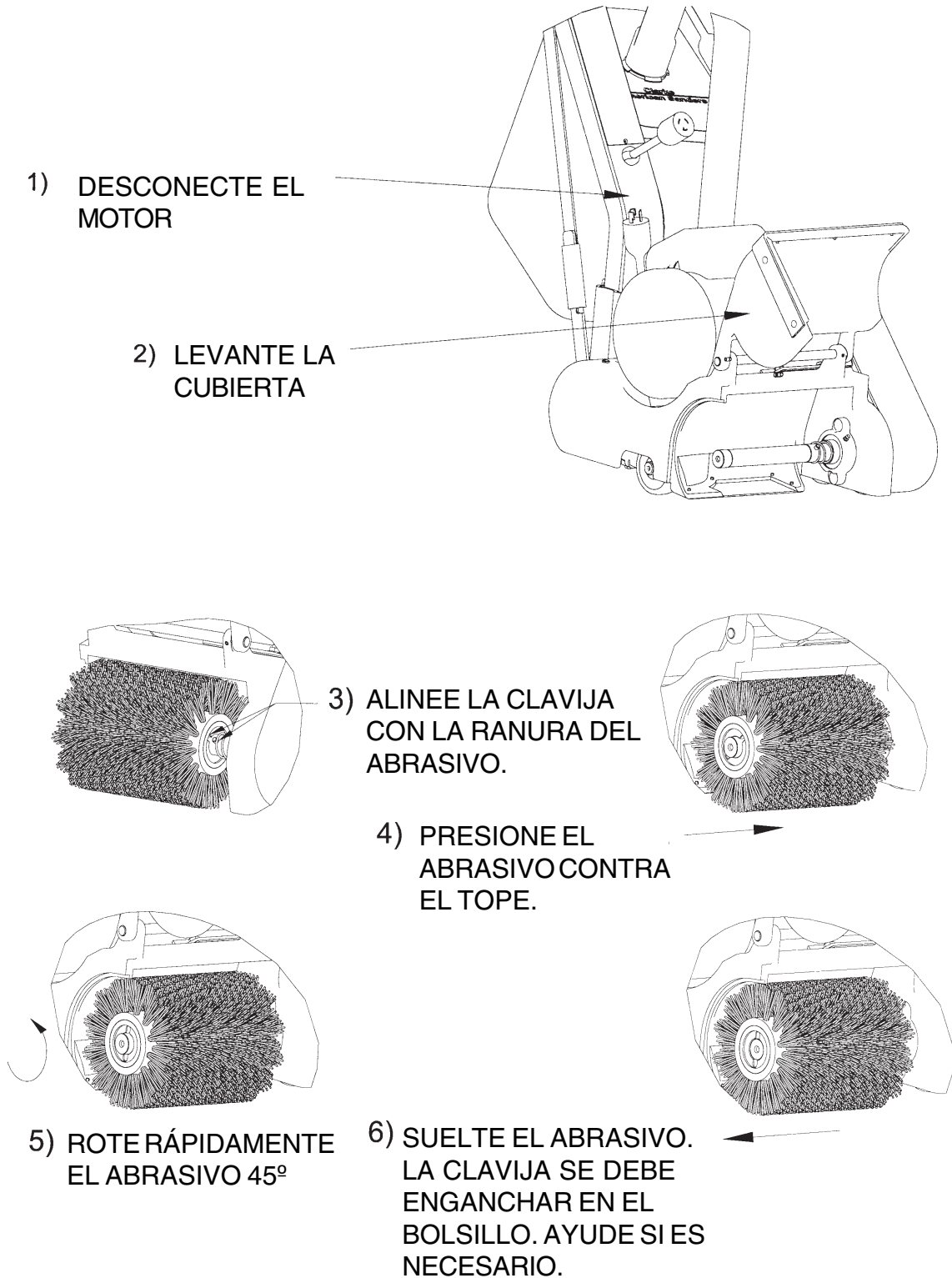


Figura 4

Operación de la máquina

Para recubrir con éxito un piso existente, en primer lugar limpie el piso para eliminar las ceras y los contaminantes. Desgaste la línea de la pared o cualquier área que no se pueda alcanzar con la máquina.

1. Conecte el cable de alimentación a un tomacorriente adecuadamente provisto de conexión a tierra y fusibles. Conecte el cable de alimentación al adaptador de cable acoplado al alojamiento de control (vea el punto 7 de la página 6). Presione el selector en la posición (S) (arranque). Una vez en marcha, deje que el interruptor regrese a la posición de ejecución (R).
2. El patrón recomendado para esta máquina es usar el método de "pasada". Una pasada simple consiste en avanzar con la máquina y regresar en marcha atrás al punto de partida volviendo sobre el recorrido realizado hacia adelante. Solape la pasada previa y repita. De esta manera puede graduar a la derecha o a la izquierda de la máquina en toda el área a cubrir.
3. Use la empuñadura de mando para bajar el abrasivo al piso. Mantenga la máquina en movimiento mientras el abrasivo está en contacto con el piso. Ajuste el ritmo para una abrasión adecuada. Para obtener los mejores resultados gradúe la máquina en incrementos de 3" a un ritmo de 12-15 pulgadas por segundo. Consulte la figura 5.

NOTA: Puede agregar hasta 10 libras a la máquina, lo cual mejorará la abrasión en algunos casos.

⚠ PRECAUCIÓN: Para evitar daño a la superficie, asegúrese de que la máquina siempre se esté moviendo cuando el tambor de lijado esté en contacto con el piso.

4. Use la empuñadura de mando para levantar el abrasivo cuando se mueva en marcha atrás o durante el solapamiento.
5. Puede avanzar con la máquina en sentido transversal (Fig. 5A) o en la dirección del piso (Fig. 5B) para reducir la superficie que no se pueda alcanzar y lograr una mejor cobertura del piso.
6. Presione el interruptor selector en la posición off (apagado) cada vez que vacíe la bolsa de polvo o cuando termine el trabajo. Desconecte el cable de alimentación.
7. Vacíe la bolsa de polvo con frecuencia.

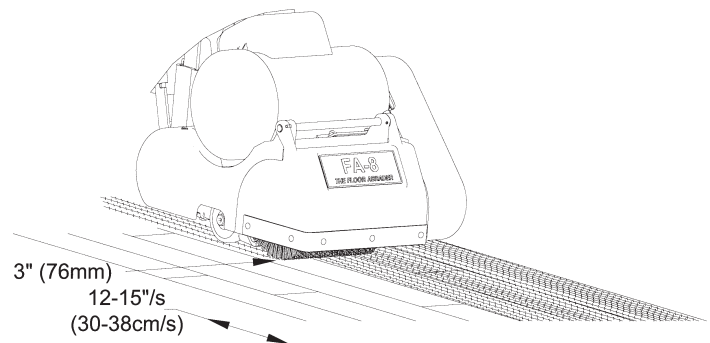


Figura 5

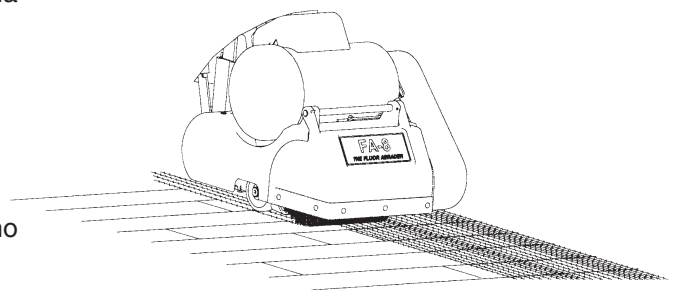


Figura 5A

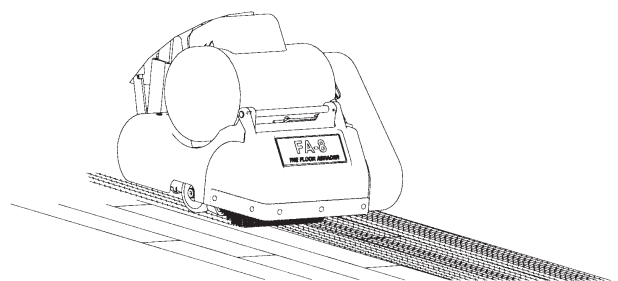


Figura 5B

Procedimientos de ajuste de la lijadora

PELIGRO: Puede producirse electrocución si se realizan mantenimiento y reparaciones en una unidad que no esté adecuadamente desconectada de la fuente de alimentación. Desconecte el suministro de alimentación antes de intentar tareas de mantenimiento y reparación.

PELIGRO: Las partes móviles de esta máquina pueden causar lesiones serias o daños materiales. Mantenga las manos, los pies y la vestimenta suelta alejados de todas las partes móviles de la lijadora.

La siguiente información proporciona los detalles sobre cómo ajustar las diferentes funciones y controles de la lijadora.

Zapata para el polvo

Para ajustar la zapata para el polvo siga este procedimiento:

1. Desconecte la máquina del suministro eléctrico.
2. Afloje los cuatro tornillos que sujetan la zapata para el polvo al chasis.
3. Ajuste la zapata para el polvo hacia el tambor para mejorar la recolección de partículas finas.
4. Ajuste la zapata para el polvo alejada del tambor para mejorar la recolección de partículas gruesas.
5. Alinee la zapata para el polvo con el tambor y ajuste los tornillos. Consulte la figura 12.

Nivelación

Para ajustar la nivelación de la máquina siga este procedimiento:

1. Ubique el tornillo de nivelación. Consulte la figura 6.
2. Ajuste el tornillo (comprima el resorte de nivelación) para un lijado más profundo del lado de la correa de transmisión del tambor de lijado.
3. Afloje el tornillo de nivelación (afloje el resorte de nivelación) para un lijado más profundo del lado opuesto a las correas de transmisión. Figura 6.

Mantenimiento de rutina

Los siguientes elementos deben inspeccionarse y realizárseles el mantenimiento de manera periódica para mantener su lijadora en buenas condiciones operativas.

Ruedas

Extraiga periódicamente los residuos de las ruedas del camión y las roldanas pivotantes. Los residuos pueden causar ondulaciones sobre la superficie lijada.

Bolsa de polvo

Extraiga la bolsa de polvo de la máquina y sacúdala muy bien para extraer el polvo de lijado de la bolsa de polvo. Dé vuelta a la bolsa de polvo y lávela a máquina en agua fría para evitar que se bloqueen los poros y que pierda su capacidad de recolectar polvo.

Correa de transmisión

Periódicamente controle las correas de transmisión para verificar la existencia de grietas o bordes deshilachados. La existencia de bordes deshilachados podría indicar una alineación defectuosa. Vuelva a alinear la correa.

Cojinetes

Verifique periódicamente los rodillos guía y el rodillo de tensión en busca de desgaste.

Eje de husillo Vuelva a lubricar cada 150 horas con 10 oz. de grasa lubricante NLGI grado 2, - 30°F a 250°F, 58-75 SUS a 210° F.

Eje de motor después de las primeras 5000 horas.

Eje de ventilador después de las primeras 1500 horas.

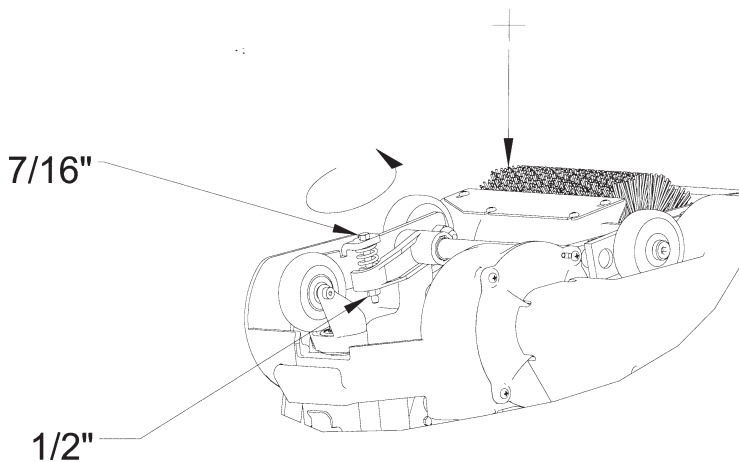


Figura 6

Resolución de problemas

Problema	Causa	Acción
Las correas de transmisión se deslizan.	La tensión es insuficiente. Alineación defectuosa de la correa.	Tensión de la correa. Alinee la polea.
Crujido, bramido o chirrido proveniente de la máquina.	El cojinete está dañado o desgastado	Extraiga las correas de transmisión, rote el husillo motor y los ejes del ventilador para ubicar el cojinete con arrastre o defectuoso. Póngase en contacto con un distribuidor autorizado de American Sanders.
La recolección de polvo es deficiente.	La bolsa de polvo está sucia. La zapata para el polvo está el polvo.	Extraiga los residuos de la bolsa agitándola y lave. Vuelva a ajustar la zapata para mal ajustada.
El motor no arranco.	El arrancador del motor es defectuoso. El capacitor de arranque es defectuoso. El interruptor de arranque es defectuoso. Conexiones defectuosas. Disparo de motor por sobrecarga. El motor es defectuoso. No hay potencia.	Póngase en contacto con un distribuidor autorizado. Póngase en contacto con un distribuidor autorizado. Póngase en contacto con un distribuidor autorizado. Verifique las conexiones. Desconecte la energía. Presione el botón de reinicio del motor Póngase en contacto con un distribuidor autorizado. Verifique la fuente eléctrica y las conexiones.
El motor funciona con lentitud.	Tensión baja debido a cable demasiado largo, alargador corto o conexión defectuosa. Defective run capacitor. El motor es defectuoso.	Localice la fuente eléctrica más cercana al lugar de trabajo. Verifique las conexiones Póngase en contacto con un distribuidor autorizado. Póngase en contacto con un distribuidor autorizado.
El disyuntor del motor se repetidas veces.	Tensión baja debido a cable demasiado largo, alargador corto o conexión defectuosa Cara excesiva. El interruptor de arranque es defectuoso El arrancador del motor es defectuoso. El motor es defectuoso. El capacitor es defectuoso.	Desconecte la energía, deje enfriar el motor. Presione el botón de reinicio del motor. Localice la fuente eléctrica más cercana al lugar de trabajo. Verifique las conexiones. Póngase en contacto con un distribuidor autorizado de American Sanders. Póngase en contacto con un distribuidor autorizado. Póngase en contacto con un distribuidor autorizado. Póngase en contacto con un distribuidor autorizado. Póngase en contacto con un distribuidor autorizado. Póngase en contacto con un distribuidor autorizado.
Abrasión desapareja.	La nivelación está mal ajustada.	Reajuste la nivelación.

LISEZ CE MANUEL

Ce Manuel contient des informations importantes concernant l'utilisation et le fonctionnement de cette machine dans des conditions de sécurité optimales. La non-lecture de ce manuel avant d'utiliser ou d'entretenir votre machine Clarke American Sanders risque de provoquer un accident ou d'endommager la machine ou son environnement. Vous devez avoir été formé à l'utilisation de cette machine avant de l'utiliser. Si l'opérateur n'est pas en mesure de lire ce Manuel, il devra se le faire expliquer entièrement avant de tenter d'utiliser cette machine.

Toutes les directions données dans ce Manuel le sont par rapport à la position de l'opérateur, à l'arrière de la machine.

Pour commander un nouveau Manuel, écrivez à : Clarke®, 2100 Highway 265, Springdale, Arkansas 72764.

Contenu de ce manuel

Consignes de sécurité	23
Introduction et caractéristiques de l'appareil	25
Transport de l'appareil	26
Préparation de l'appareil	26
Utilisation de l'appareil	29
Procédure de réglage de la ponceuse	30
Entretien	30
Dépannage	31

Section II, manuel de réparation et schémas de pièces

Schéma d'assemblage n° 1	34
Liste de pièces n° 1	35
Schéma d'assemblage n° 2	36
Liste de pièces n° 2	37
Schéma de câblage	38

CONSIGNES DE SECURITE DESTINEES A L'OPERATEUR

DANGER signifie : De graves blessures corporelles, voire la mort, peuvent survenir si les déclarations **DANGER** apposées sur l'appareil ou inscrites dans le Manuel de l'utilisateur sont ignorées ou ne sont pas suivies. Lisez et respectez toutes les consignes **DANGER** se trouvant dans le Manuel de l'utilisateur et sur l'appareil.

AVERTISSEMENT signifie : Des blessures corporelles peuvent survenir si les **MISES EN GARDES** apposées sur l'appareil ou inscrites dans le Manuel de l'utilisateur sont ignorées ou ne sont pas suivies. Lisez et respectez toutes les **AVERTISSEMENTS** inscrits dans le Manuel de l'utilisateur et apposés sur l'appareil.

MISE EN GARDE signifie : Il y a risque de dommages à l'appareil ou à la propriété si les **MISES EN GARDES** apposées sur l'appareil ou inscrites dans le Manuel de l'utilisateur sont ignorées ou ne sont pas suivies. Lisez et respectez toutes les **MISES EN GARDE** se trouvant dans le Manuel de l'utilisateur et apposées sur l'appareil.

 **DANGER :**



À défaut de lire le Manuel de l'utilisateur avant l'utilisation ou l'entretien de cet appareil de ponçage peut provoquer des blessures corporelles à l'opérateur ou toute autre personne et endommager l'appareil. Lisez et respectez toutes les consignes de sécurité décrites dans ce Manuel et apposées sur l'appareil de ponçage. Assurez-vous que tous les autocollants, décalcomanies, avertissements, mises en garde et directives sont apposés sur l'appareil. Remplacez tous ceux endommagés ou manquants. Vous devez avoir été formé à l'utilisation de cette appareil avant de l'utiliser. **Si l'opérateur est incapable de lire ce manuel, le faire expliquer dans son intégralité avant qu'il essaie d'utiliser cet appareil.**

 **DANGER:**



La finition des planchers de bois peut créer un environnement déflagrant. Veuillez suivre les procédures de sécurité suivantes :

- Les briquets, les flammes pilote et toute autre source d'inflammation peuvent provoquer une explosion si actionnés au cours d'un ponçage. Toutes sources d'inflammation devraient être éteintes ou retirées entièrement, si possible, de la zone de travail.
- Les zones de travail peu aérées peuvent se transformer en un environnement déflagrant lorsque certains matériaux combustibles sont présents dans l'atmosphère notamment les solvants, diluants, alcool, combustibles, certains finis, poussières de bois et autres matériaux combustibles. Cette machinerie peuvent inflammer le matériel et les vapeurs. Bien lire l'étiquette du fabricant sur tous les produits chimiques pour évaluer la combustibilité. Veillez à ce que la zone de travail soit bien aérée.
- Une accumulation de poussière peut s'auto-enflammer et causer des blessures ou des dommages. Par conséquent, il convient de l'éliminer correctement. Videz toujours la buissière dans un conteneur en métal situé à l'extérieur des bâtiments.
- Ne jetez pas le contenu du sac de dépoussiérage dans un feu.
- Dans le cas d'un sac de dépoussiérage en feu, l'opérateur peut se blesser s'il est attaché ou relié à l'appareil avec une sangle.

**DANGER:**

Le fonctionnement d'une machine partiellement assemblée peut blesser l'opérateur ou une personne à proximité et provoquer des dommages à l'appareil ou à la propriété d'autrui.

- N'utilisez pas cet appareil jusqu'à ce qu'il soit entièrement assemblé avec tous les dispositifs de protections, portes et couvercles solidement fixés.
- Veillez à ce que tous les dispositifs de fixation soient serrés.
- Suivez toutes les spécifications de réglage du fabricant.

**DANGER:**

Les pièces mobiles de cette machine peuvent blesser l'opérateur ou une personne à proximité.

- Tenez les mains, pieds et vêtements amples loin de toutes pièces mobiles.
- Ne changez pas ou n'ajustez pas le papier abrasif alors que la machine est en fonctionnement.
- N'effectuez pas l'entretien de la machine en cours de fonctionnement.

**DANGER:**

Cette machine exige une source d'alimentation électrique. Une utilisation inadéquate pourrait provoquer un choc électrique ou une électrocution ou un incendie.

- Branchez l'appareil uniquement à une source d'alimentation qui correspond aux indications de la plaque signalétique.
- Utilisez cette machine uniquement sur un circuit électrique mis à la terre. Consultez un électricien si vous croyez que le circuit n'est pas correctement mis à la terre.
- N'utilisez pas cette machine avec un cordon d'alimentation endommagé. Inspectez l'appareil avant chaque usage.
- Ne heurtez pas le cordon d'alimentation avec le papier abrasif. Soulevez toujours le cordon d'alimentation au-dessus de la machine.
- N'utilisez pas le cordon d'alimentation pour déplacer la machine.
- Débranchez de la source d'alimentation avant d'effectuer une réparation ou un entretien sur cette machine.

**AVERTISSEMENT:**

L'opérateur, ou toute personne à proximité, doit porter une tenue de protection en cours de ponçage pour prévenir les blessures. Utilisez toujours une protection oculaire et auditive ainsi qu'un appareil respiratoire lors de tout ponçage/sablage.

**AVERTISSEMENT:**

La machine ne doit pas être utilisée sur du bois traité sous pression. Certains bois traités sous pression contiennent de l'arsenic, le ponçage du bois traité sous pression produit des poussières dangereuses. L'inhalation de poussières dangereuses produites par du bois traité sous pression risque d'entraîner la mort ou de graves blessures. La abrasant de bois traité sous pression ou de surfaces irrégulières risque d'endommager la machine qui n'est pas converti ni par la garantie ni par les Exonérations de Dommages.

**AVERTISSEMENT:**

Il y a un risque potentiel de blessures corporelles si l'appareil est mis sous tension avec l'interrupteur déjà en position de marche (ON). Assurez-vous toujours que l'interrupteur soit en position d'arrêt (OFF) avant de mettre l'appareil sous tension.

**MISE EN GARDE :**

Les opérations de maintenance et les réparations effectuées par des techniciens non agréés risquent d'entraîner des dommages ou des blessures corporelles. Les opérations de maintenance et les réparations effectuées par des techniciens non agréés annuleront votre garantie. Dirigez-vous toujours à un distributeur agréé Clarke American Sanders pour toutes réparations de cet appareil.

**MISE EN GARDE:**

L'utilisation de cet appareil pour déplacer ou monter sur des objets peut provoquer un accident ou entraîner des dégâts matériels. Ne pas utiliser cet appareil comme marchepied ou comme meuble. Ne montez pas sur cet appareil.

**MISE EN GARDE :**

Il y a un risque d'endommager l'appareil si celui-ci n'est pas entreposé dans un bâtiment à l'abri de l'humidité. Rangez l'appareil dans un établissement à l'abri de l'humidité.

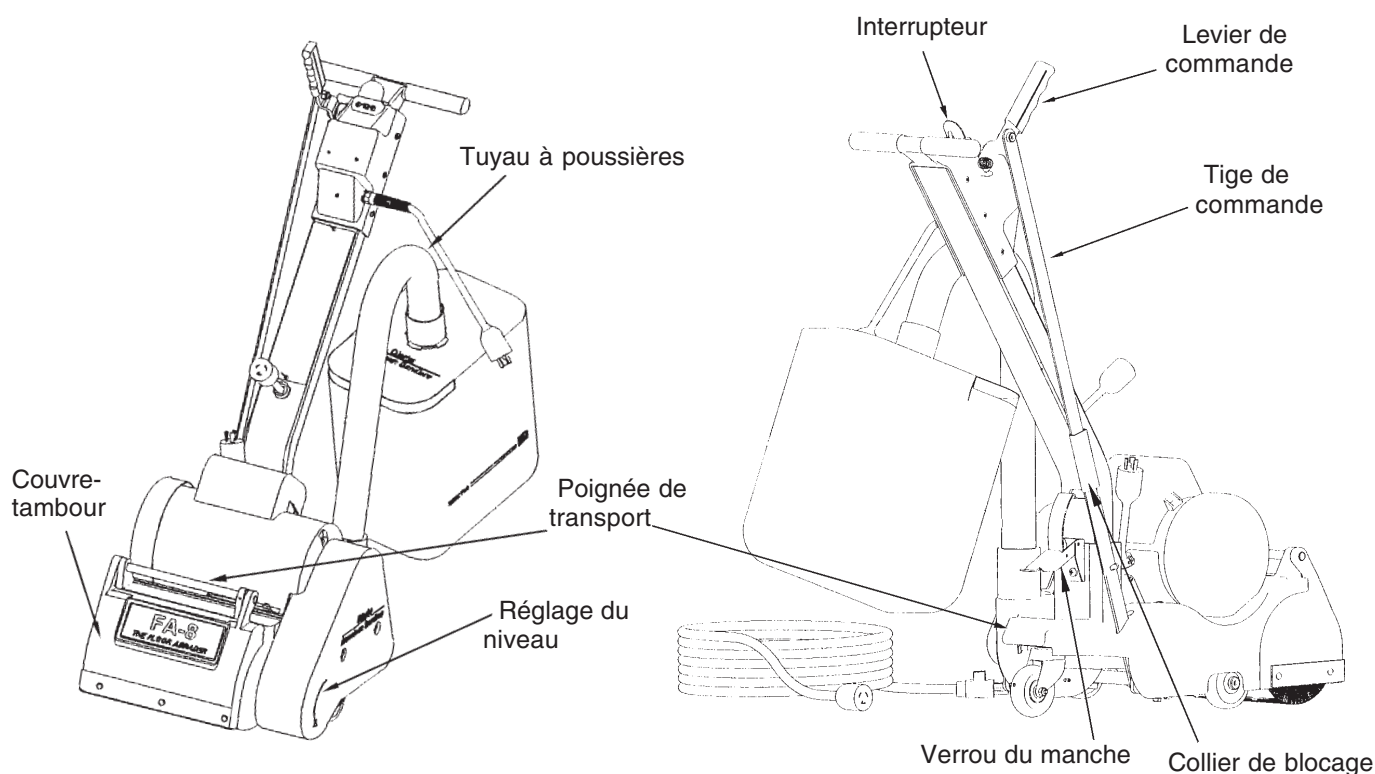
**MISE EN GARDE :**

Cet appareil est lourd. Pour le transport de l'appareil, déposez le moteur. Demandez de l'aide pour soulever l'appareil et le moteur.

**MISE EN GARDE :**

Utilisez uniquement des abrasifs Clarke American Sanders sur cette machine.

Introduction et caractéristiques de l'appareil



Cette machine a été conçue pour le ponçage de surfaces avant de la revernir. Le ponçage génère des points d'ancrage qui favorisent l'adhésion de la nouvelle couche sur la couche existante. Cette machine est adaptée à une utilisation sur des parquets en bois avec une finition d'usine ou sur site. Cette machine est recommandée pour les parquets en bois biseautés, surbiseautés, en assemblage sculpté avec une finition d'usine ou sur site. Elle est spécialement adaptée pour l'utilisation sur des sols irréguliers ou en assemblage sculpté pour lesquels les méthodes traditionnelles risquent d'endommager la finition ou d'altérer les sculptures.

Modèle	07166A
Dimension de abrasif	152mm x 190 mm
Régime avec abrasif	950 rpm
Système de commande	Avec levier de commande
Moteur	5/8 Hp (470W) TEFC 1Ø
Câble d'alimentation	15m, 14-3 résistant à l'abrasion
Tension (V) / Fréquence (Hz)	115 / 60
Courant (A)	8
Dimensions (cm)*	55 x 41 x 90
Poids* (kg)	56.8 kg

*Valeur à l'expédition



ATTENTION :

Il est possible que votre équipement ne soit pas adapté à certaines installations. Il faut toujours consulter le fabricant du parquet pour connaître les caractéristiques d'installation, de préparation et de finition de leur produit. Vérifiez la convenance de votre équipement lorsque vous préparez le produit.

Transport de l'appareil**Transport de la machine en zone de chargement limitée :**

1. Pour transporter la machine, retirez la poignée, le tuyau à poussières et le sac. Suivez les étapes illustrées à la figure 1.
2. Soulever le châssis avec les poignées de transport et le poser dans la zone de chargement.

⚠ AVERTISSEMENT : La machine est lourde (43,2kg). Pour éviter toute blessure ou tout endommagement, saisir fermement les poignées de transport ; utiliser une technique de levage adéquate.

3. Attacher le châssis pour empêcher tout déplacement dans la zone de chargement. Placer la poignée et le conduit à poussière dans la zone de chargement.

Préparation de l'appareil

Pour installer la machine, suivez les étapes illustrées à la figure 1 :

1. Veillez prendre connaissance de l'appareil et lisez toutes les notices de danger, d'avertissements et de mises en garde. Assurez-vous que tous les opérateurs de cet appareil ont bien lu le Manuel de l'utilisateur. S'ils ne sont pas en mesure de lire ce Manuel, ils devront se le faire expliquer entièrement avant d'utiliser la ponceuse.
2. Installer la poignée (1) et fixer les loquets (2).
3. Introduire l'axe de commande dans l'encoche et glisser le collier sur la goupille (3). Lever le tambour de ponçage à l'aide du levier de commande.
4. Installez le tuyau à poussière (4) dans la machine et le sac à poussières (5) sur le tuyau à poussière.
5. Branchez le raccord de poignée au cordon du moteur (7). Alignez la goupille rectifiée, introduisez et tournez.

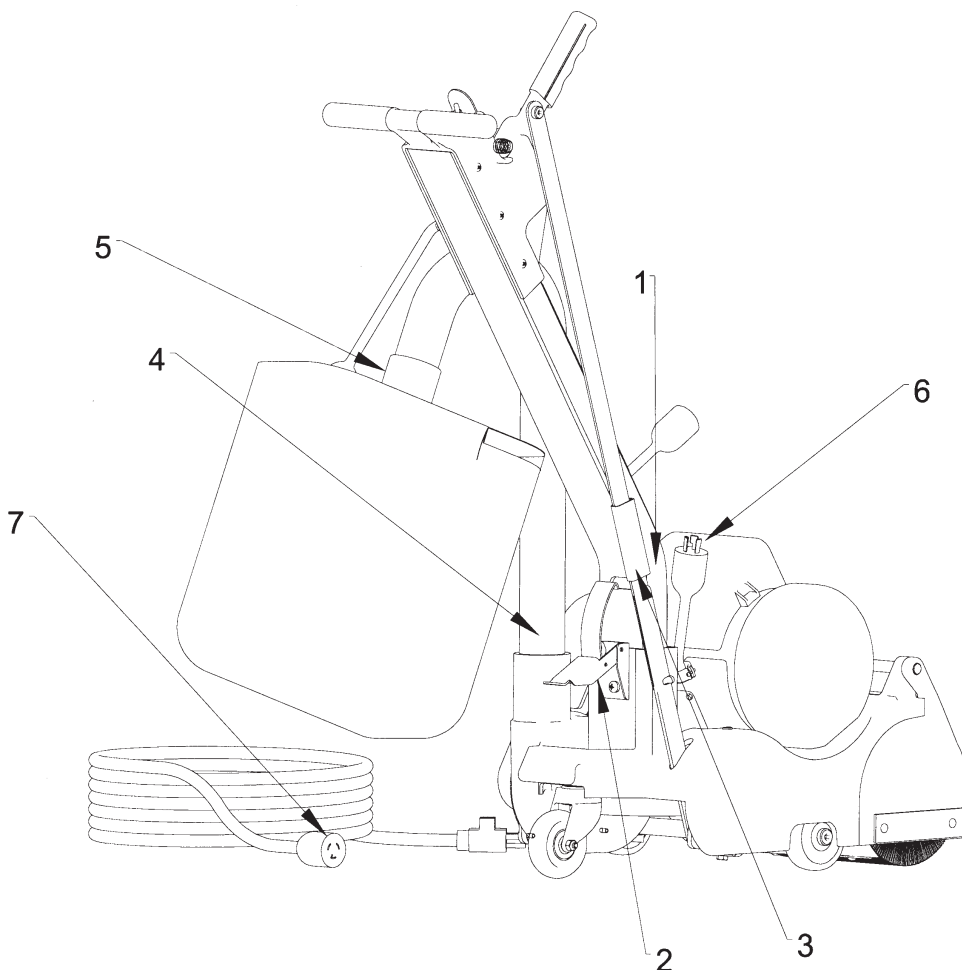


Figure 1

Préparation de l'appareil

6. Cette ponceuse est conçue pour fonctionner équipée d'un système à distance de collecte des poussières par le vide, ou du sac à poussières fourni. Procéder comme suit:

Préparation des systèmes à distance de collecte des poussières par le vide

Pour préparer la machine à l'utilisation d'un système à distance de collecte des poussières par le vide ayant une extrémité de tuyau de 5 cm, procéder comme suit:

1. Monter l'extrémité de tuyau de 5 cm (figure 3, A) directement sur le tuyau d'évacuation (figure 3, B).
2. Il est possible de tourner le tuyau d'évacuation pour plus de commodité.

Pour préparer la machine à l'utilisation d'un système à distance de collecte des poussières par le vide ayant une extrémité de tuyau de 3,80 cm, procéder comme suit:

1. Monter l'adaptateur d'extrémité de tuyau (5 x 3,8 cm- Pièce n° 30563A) (figure 39, C) sur le tuyau d'évacuation (figure 2, B).
2. Introduire l'extrémité de tuyau de 3,80 cm (figure 33, D) dans l'adaptateur (figure 2, C).

NOTE: Faire démarrer le système à distance de collecte par le vide avant de travailler.

Préparation pour utilisation du sac à poussières fourni

Pour préparer la machine à l'utilisation du sac à poussières fourni, procéder comme suit:

1. Installez le sac à poussières en appuyant son extrémité sur le tuyau d'évacuation jusqu'à ce que l'anneau se verrouille dans la rainure (figure 10). On y parvient plus facilement en appuyant sur l'arrière de l'ouverture du sac avec la paume de la main.
2. Il est possible de tourner le tuyau d'évacuation pour plus de commodité.
3. Pour retirer le sac à poussières du tuyau d'évacuation, soulever l'extrémité de l'ouverture du sac pour partiellement dégager la nervure interne de la rainure, puis tirer.
4. Pour vider le sac à poussières, ouvrir la fermeture éclair de la trappe d'évacuation des déchets et expulser le contenu en retournant le sac.

NOTE: Pour obtenir les meilleurs résultats, vider fréquemment le sac. Respecter toutes les mises en garde indiquées dans le présent manuel et sur le sac à poussières.

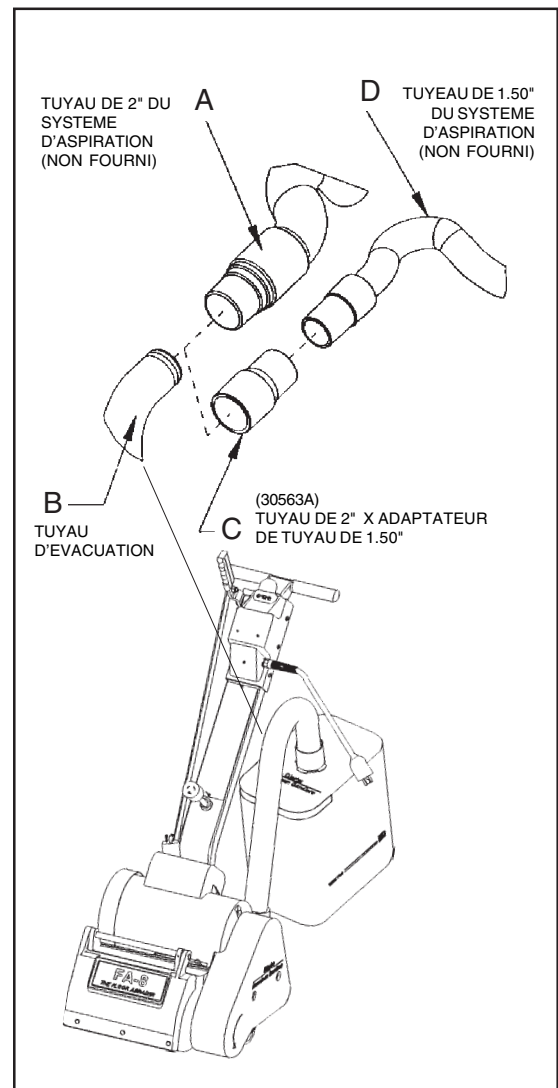


Figure 2

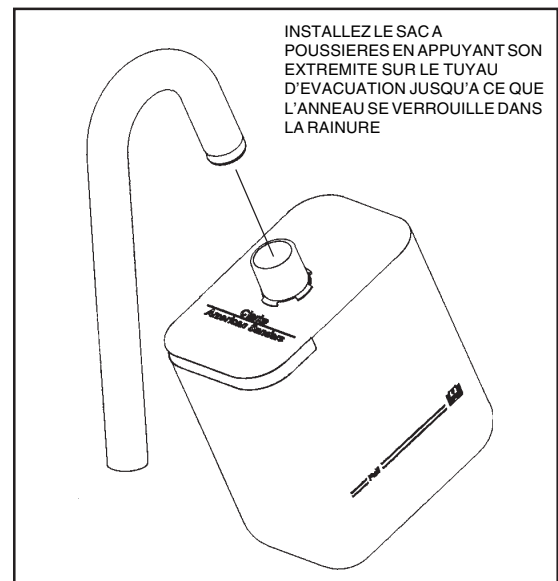


Figure 3

MACHINE SET-UP

Installation du papier abrasif

Pour installer le papier abrasif sur la machine, suivez la procédure illustrée à la figure 4. Consultez la page 34 pour choisir le papier abrasif.

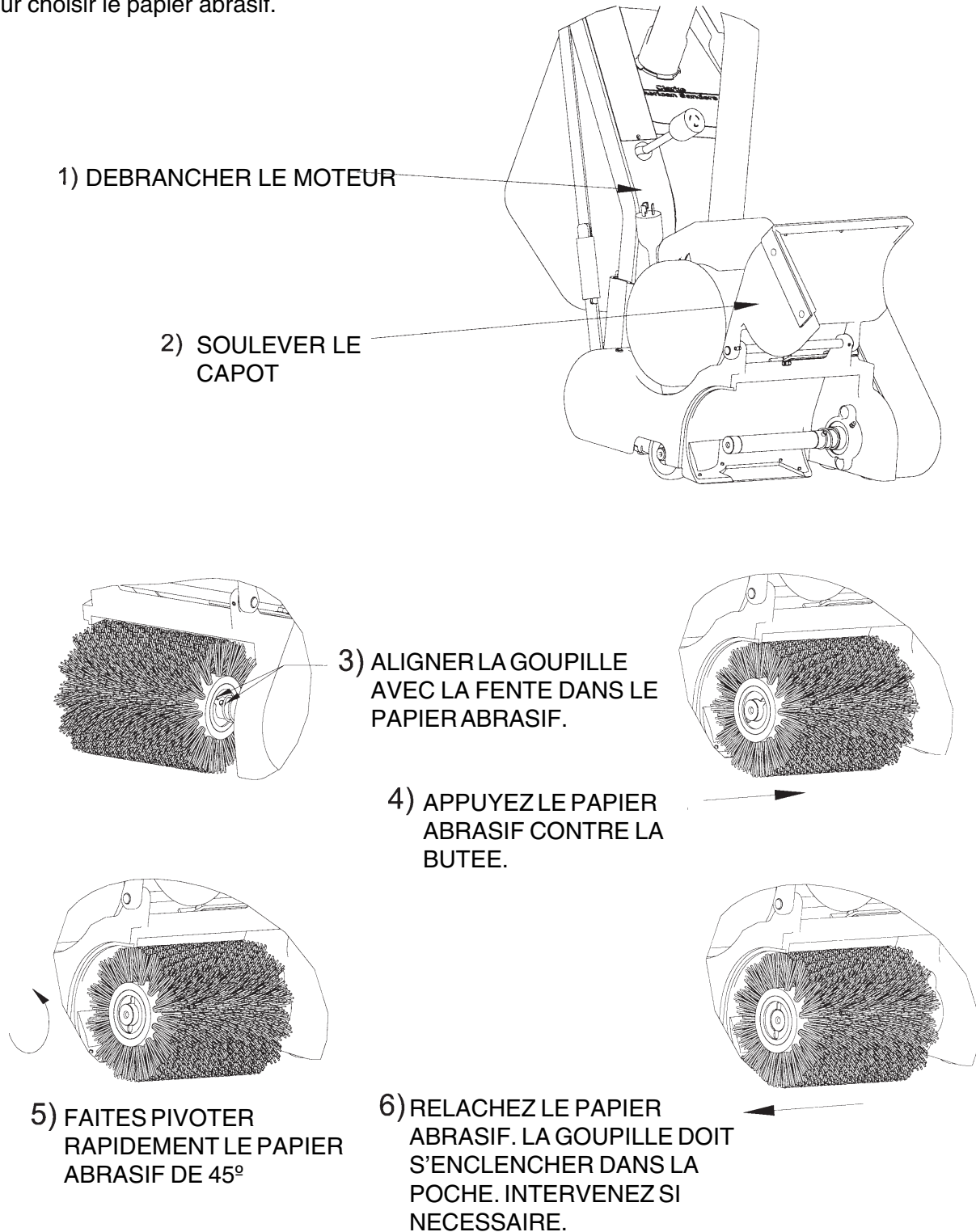


Figure 4

Utilisation de l'appareil

Pour appliquer correctement une nouvelle couche sur un parquet existant, commencez par laver le sol pour retirer les cires et les produits contaminants. Poncez la bordure du mur de toutes les zones auxquelles la machine ne peut pas accéder.

1. Branchez le cordon d'alimentation à une prise correctement mise à la terre et protégée par un fusible. Branchez l'autre extrémité du cordon d'alimentation à l'adaptateur de cordon situé sur le logement de la commande (voir élément 7 page 6). Appuyez sur le commutateur de sélection et placez-le en position de démarrage (S). Une fois le moteur démarré, laissez le commutateur revenir à la position d'exécution (R).
2. L'approche recommandée consiste à utiliser la méthode des "passes" avec cette machine. Une passe consiste à un parcours vers l'avant de la machine et un retour au point de départ dans les traces du parcours aller. Chevauchez la passe précédente, puis répétez l'opération. Vous pouvez déplacer la machine de cette manière vers la droite ou vers la gauche de la machine sur toute la surface à poncer.
3. Utilisez le levier de commande pour abaisser le papier abrasif vers le sol. Maintenez la machine en mouvement tant que le papier abrasif est en contact avec le sol. Réglez la vitesse pour un ponçage efficace. Pour de meilleurs résultats, réglez la machine en incréments de 3" et sur une vitesse de 12-15 pouces par seconde. Voir figure 5.

REMARQUE : Vous pouvez ajouter jusqu'à 10 livres à la machine, cela améliorera le ponçage dans certaines situations.

▲ MISE EN GARDE : Pour éviter d'endommager la surface, assurez-vous que la machine est toujours en mouvement lorsque le tambour de ponçage est en contact avec le sol.

4. Utilisez le levier de commande pour lever le papier abrasif lors du parcours inverse ou du chevauchement.
5. Vous pouvez faire avancer la machine contre (fig. 5A) ou dans le sens du sol (fig. 5B) pour réduire la surface que la machine ne peut pas atteindre et améliorer la couverture du sol.
6. Placez sur le commutateur de sélection sur la position off à chaque fois que vous videz le sac à poussière ou une fois le travail terminé. Débranchez le cordon d'alimentation.
7. Videz le sac à poussières fréquemment.

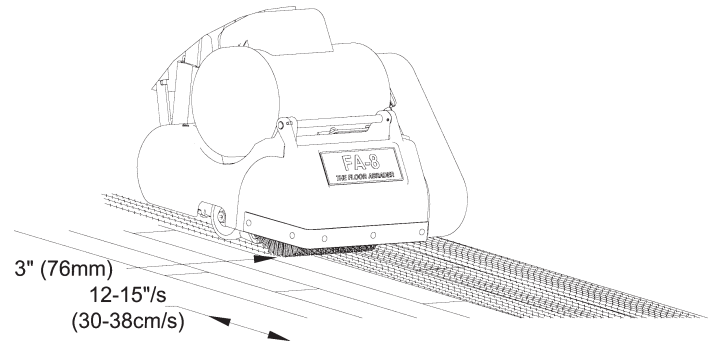


Figure 5

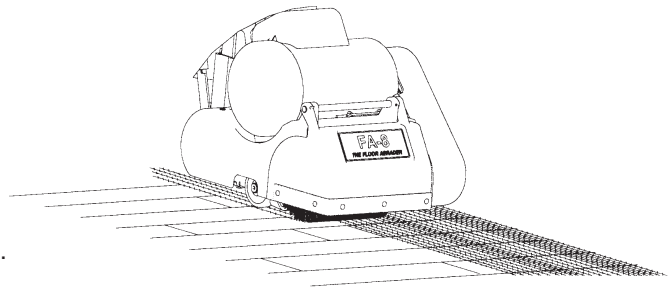


Figure 5A

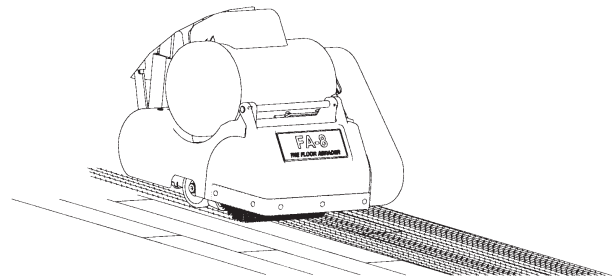


Figure 5B

Réglage de la ponceuse

⚠ DANGER : Une électrocution risque de survenir si une réparation ou une opération d'entretien est effectuée sur un appareil mal débranché de la source d'alimentation électrique. L'appareil doit être débranché avant de commencer toute réparation ou opération d'entretien.

⚠ DANGER : Les pièces mobiles de cet appareil peuvent occasionner des blessures graves et des dommages matériels. Garder les mains, les pieds et les vêtements amples à bonne distance des pièces mobiles de la ponceuse.

Les renseignements suivants fournissent des détails sur le réglage des équipements et commandes de la ponceuse.

Patin à poussières

Pour régler le patin à poussières, exécutez les opérations suivantes :

1. Débranchez l'appareil.
2. Desserrez les quatre vis retenant le patin à poussières au châssis.
3. Amenez le patin à poussières vers le tambour si vous désirez améliorer la récupération des particules fines.
4. Éloignez le patin à poussières du tambour si vous désirez améliorer la récupération des grosses particules.
5. Alignez le patin avec le tambour et serrez les vis (voir la figure 12).

Mise à niveau

Pour régler la mise à niveau de l'appareil, exécutez les opérations suivantes :

1. Repérez la vis de mise à niveau (voir la figure 13).
2. Serrez la vis (en comprimant le ressort de mise à niveau) si vous désirez poncer plus fort sur le côté du tambour adjacent à la courroie d'entraînement.
3. Desserrez la vis (en relâchant le ressort de mise à niveau) si vous désirez poncer plus fort sur le côté du tambour opposé à la courroie d'entraînement.

Entretien

Les éléments suivants doivent être vérifiés et entretenus périodiquement pour que votre ponceuse demeure en bon état.

Chambre de ponçage

Nettoyez périodiquement la chambre de ponçage avec un jet d'air comprimé pour éliminer les grosses accumulations de débris pouvant nuire à l'efficacité du système de récupération des poussières.

Roues

Enlevez périodiquement les débris accumulés sur les roues et les roulettes. Ces débris peuvent produire des vagues sur la surface poncée.

Sac à poussières

Enlevez le sac à poussières de l'appareil et secouez-le bien pour enlever toute la poussière s'y trouvant. Retournez le sac à l'envers et lavez-le à la machine dans l'eau froide pour éviter toute obstruction des pores et toute perte d'efficacité du système de récupération des poussières.

Courroie d'entraînement

Vérifiez périodiquement les courroies d'entraînement pour les fissures ou des rebords effilochés. Les rebords effilochés peuvent être un signe de mauvaise traction. Réalignez les courroies décalées.

Paliers

Vérifiez périodiquement les paliers pour voir s'ils sont usés ou endommagés en vous basant sur le calendrier ci-dessous :

<i>Arbre de ponçage</i>	Lubrifiez après 150 heures avec 10 onces (284 ml) de graisse NLGI catégorie 2, -30°F (-2 °C) à 250°F (107°C), 58-75 SUS à 210°F (85°C).
<i>Arbre du moteur</i>	Après les premières 5000 heures.
<i>Arbre du ventilateur</i>	Après les premières 1500 heures.

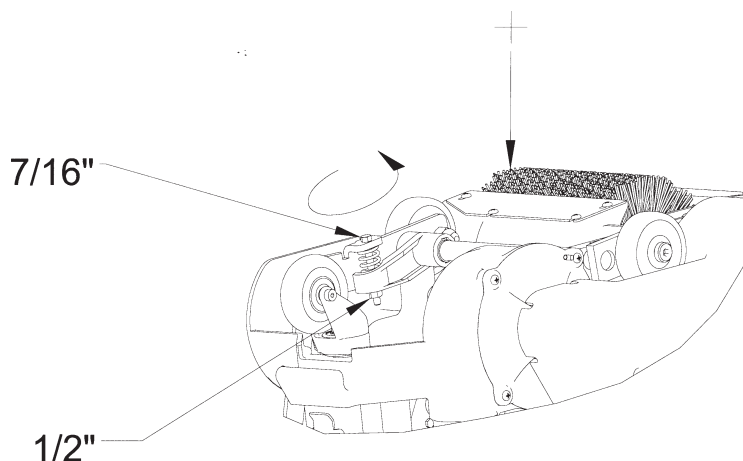


Figure 6

Dépannage

Problème	Cause	Solution
Les courroies d'entraînement patinent.	Courroie endommagée. Tension insuffisante. Courroie mal centrée.	Remplacez la courroie. Tendre la courroie. Alignez la poulie.
Crissement, grognement ou bruit de frottement sortant de l'appareil.	Palier endommagé ou usé.	Enlevez les courroies d'entraînement, faites tourner les arbres de ponçage, du moteur et du ventilateur pour repérer le palier endommagé. Contactez un détaillant Clarke agréé.
Le système ramasse peu de poussières.	Le sac à poussières est encrassé. Le patin à poussières est mal réglé.	Secouez le sac pour enlever les débris et lavez le sac. Réglez le patin à poussières.
Le moteur ne démarre pas.	Défectuosité du démarreur du moteur. Défectuosité du condensateur de démarrage. Défectuosité de l'interrupteur de démarrage. Mauvaises connexions. Dispositif antisurcharge déclenché. Défectuosité du moteur. Aucune alimentation électrique.	Contactez un détaillant Clarke agréé. Contactez un détaillant Clarke agréé. Contactez un détaillant Clarke agréé. Vérifiez les connexions. Coupez l'alimentation électrique. Appuyez sur le bouton de réamorçage du moteur. Contactez un détaillant Clarke agréé. Vérifiez l'alimentation électrique et les connexions.
Le moteur fonctionne trop lentement.	Tension faible à cause d'une rallonge trop longue ou trop fine ; mauvaise connexion. Défectuosité du condensateur de fonctionnement. Défectuosité du moteur.	Trouvez une source d'alimentation électrique plus proche de la zone de travail. Vérifiez les connexions. Contactez un détaillant Clarke agréé. Contactez un détaillant Clarke agréé.
Le dispositif antisurcharge du moteur se déclenche ou se déclenche très souvent.	Tension faible à cause d'une rallonge trop longue ou d'une mauvaise section ; mauvaise connexion. Charge excessive. Défectuosité de l'interrupteur de démarrage. Défectuosité du démarreur du moteur. Moteur défectueux. Condensateur défectueux.	Coupez l'alimentation électrique et laissez le moteur se refroidir. Appuyez sur le bouton de réamorçage sur le moteur. Trouvez une source d'alimentation électrique plus proche de la zone de travail. Vérifiez les connexions. Contactez un détaillant Clarke agréé. Contactez un détaillant Clarke agréé. Contactez un détaillant Clarke agréé. Contactez un détaillant Clarke agréé.
Ponçage irrégulier.	Patin de mise à niveau mal réglé.	Réglez le patin de mise à niveau.

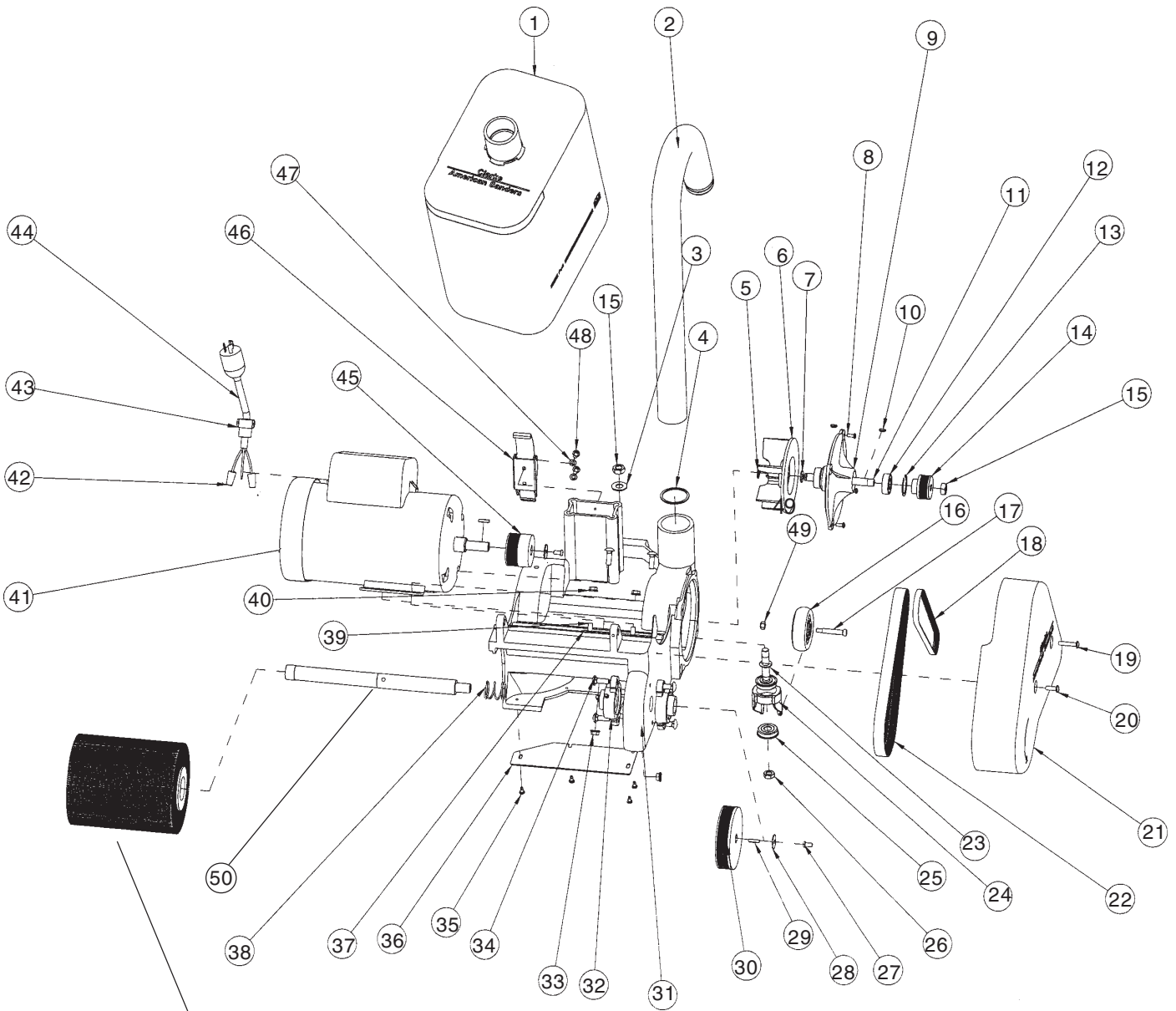
Clarke[®]
American Sanders

FA-8
THE FLOOR ABRADER
Section II
Parts and Service Manual

(71357A)

**Clarke®
American Sanders
FA-8**

Assembly Drawing #1 7/07



ABRASIVE

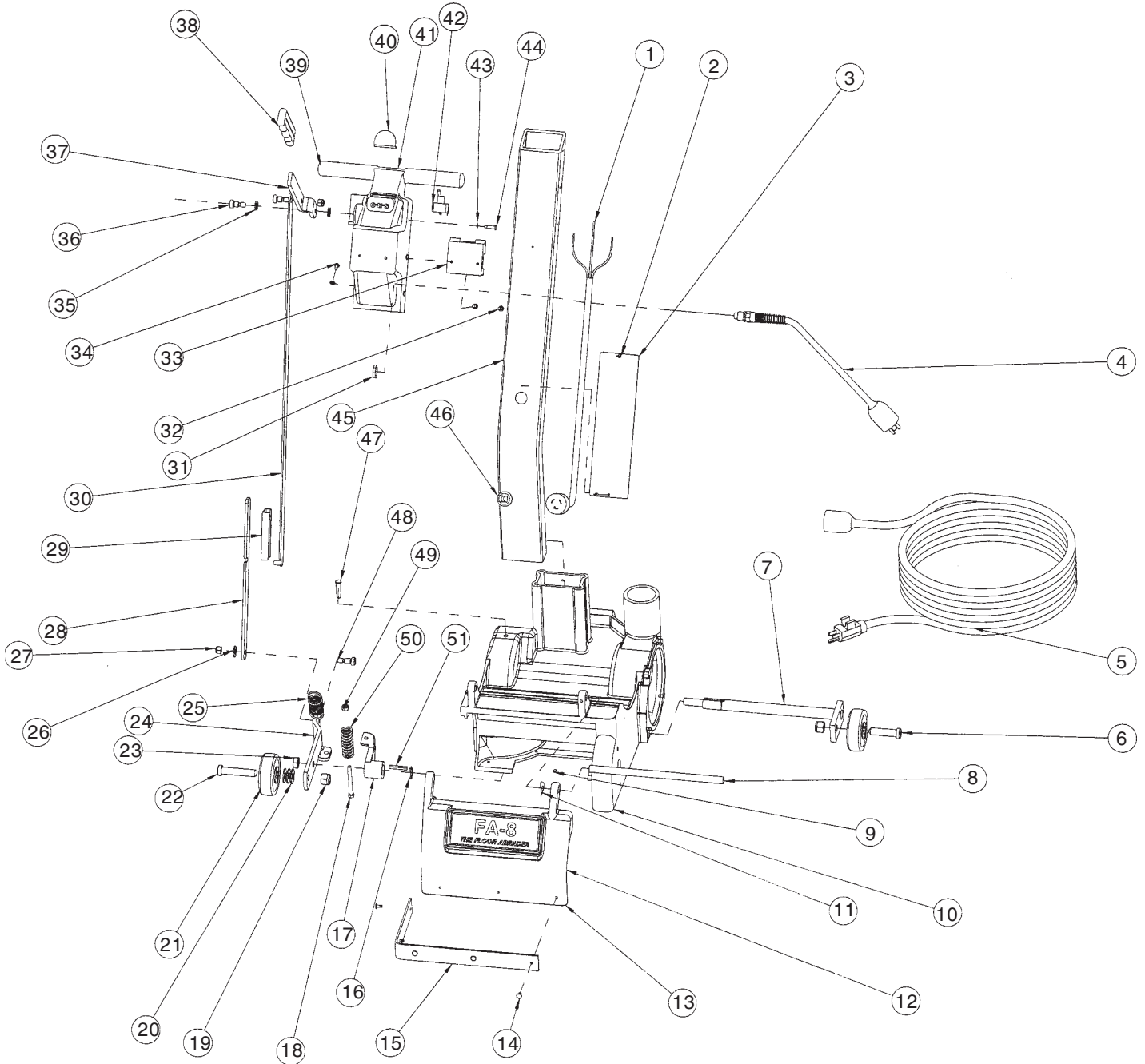
Part No.	Grade	Description
30808A	Course	1 ⁵ / ₈ Trim Brown
38732A	Medium	1 ⁵ / ₈ Trim Black
30809A	Fine	1 ⁵ / ₈ Trim Gray

Clarke
American Sanders
FA-8

Assembly Drawing #1 7/07

Ref. #	Part No.	Description	Qty
1	53741A	Bag, Dust	1
2	61897A	Dust Tube	1
3	980648	Washer, ¹⁷ / ₃₂ x 1 ¹ / ₁₆ Plain	4
4	68285A	Support, Tube	1
5	877307	Ring, Retaining	1
6	65005A	Impeller	1
7	980645	Washer, ³ / ₈ " S.A.E. Flat	2
8	962798	Screw, 10-24 x ¹ / ₂ P.H.	3
9	22122A	Cover, Fan	1
10	915561	Key, ¹ / ₈ x ¹ / ₂	2
11	67457A	Shaft, Fan	1
12	902567	Bearing	2
13	167312	Ring, Retainer Internal	1
14	54439A	Pulley, 1.625 x 1.281 22MM	1
15	920196	Nut, ¹ / ₂ -13 Hex Jam	3
16	59960A	Wheel, Caster	1
17	80028A	Bolt, Shoulder ⁵ / ₁₆ x 1.50	1
18	54450A	Poly V-Belt PJ512 4 Rib	1
19	962988	Screw, ¹ / ₄ -20 x 1 ¹ / ₄ PH	1
20	962892	Screw, ¹ / ₄ -20 x ³ / ₄ PH	1
21	299184	Belt Guard	1
22	54449A	Poly V-Belt PJ682 8 Rib	1
23	67468A	Shaft, Caster	1
24	29405A	Yoke, Caster	1
25	51194B	Bearing, Flanged	2
26	920196	Nut, ⁷ / ₁₆ -14 Hex Jam	1
27	87700A	Screw, ¹ / ₄ -20 x ¹ / ₂	2
28	87039A	Washer, Fender ¹ / ₄ "	2
29	915082	Key, ³ / ₁₆ Sq. x ³ / ₄ "	1
30	54442A	Pulley, 4.25 x 1.00 22MMJ	1
31	25903A	Mainframe	1
32	51178B	Bearing, Flange 1" 2Hole	2
33	81211A	Nut, 5/16-18 Hex	6
34	80027A	Bolt, Rd Hd Sq Neck ⁵ / ₁₆ x1	6
35	962798	Screw, 10-24 x 3/8 PHCR	5
36	67612A	Dust Shoe	1
37	61807A	Shield, Guard	1
38	54451A	Spring 1.15 x 1.281	1
39	68015A	Stud, ⁵ / ₁₆ -18 x ⁵ / ₁₆ -24 x 1.25	2
40	81208A	Nut, ⁵ / ₁₆ -24 Hex Ser. Flange	2
41	40967A	Motor, ⁵ / ₈ Hp 115V 4 Pole	1
42	170667	Wire Connector Twist On	2
43	170637	Conduit Connector ³ / ₈ x ¹ / ₂ NPT	1
44	41948A	Cord, Motor	1
45	54441A	Pulley, 2.219x1.594 22MMJ	1
46	55711A	Latch, Draw	1
47	980657	Washer, Lock ¹ / ₄	2
48	962983	Screw, ¹ / ₄ -20 x ³ / ₈ PHCR	2
49	81217A	Nut, ¹ / ₄ -20 Hex ES Std.	2
50	61927A	Shaft	1

Clarke
American Sanders
FA-8
Assembly Drawing #2 7/07



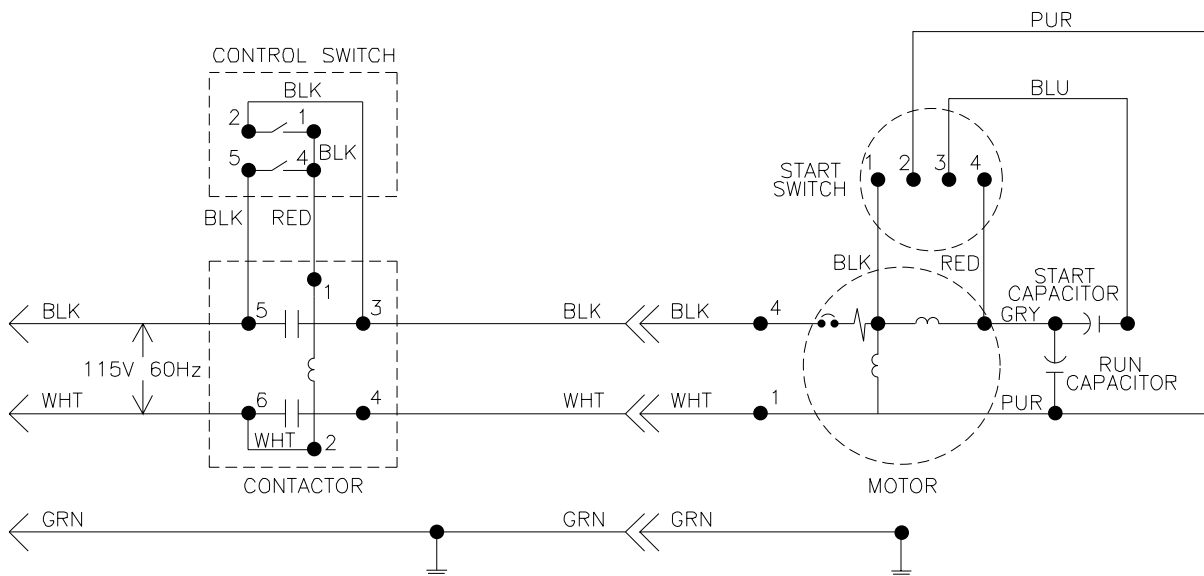
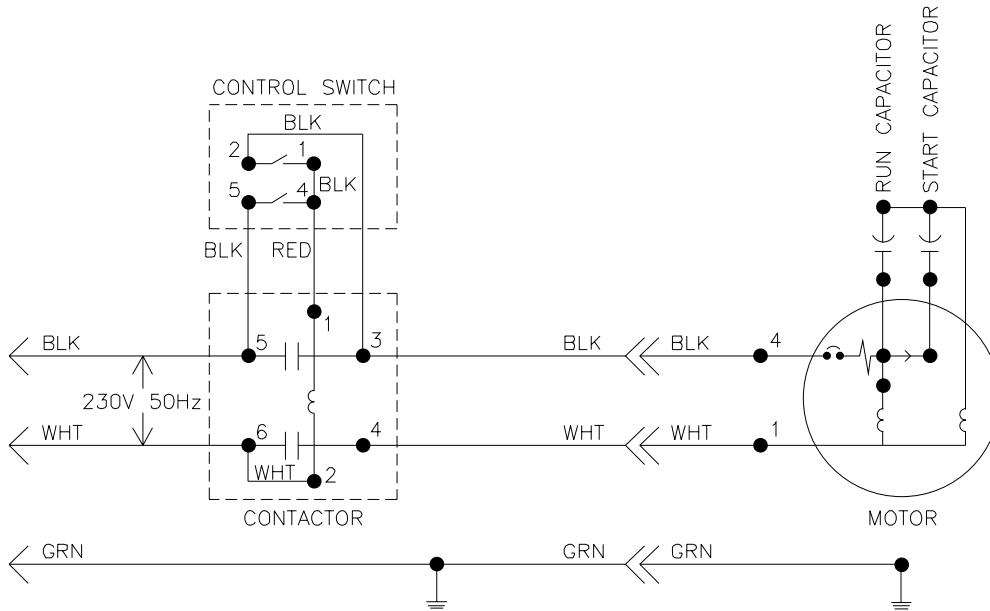
**Clarke®
American Sanders**

FA-8

Assembly Parts List #2 7/07

Ref. #	Part No.	Description	Qty
1	41948A	Cord Interconnect	1
2	930093	Rivet, Pop 1/8 x 1/4-5/16	2
3	74052A	Plate, Warning	1
4	40541A	Cord Adapter	1
5	42234A	Cordset 14-3 x 50' SO	1
6	86113A	Screw, 1/2-13 x 2.00 LH SC	1
7	60166A	Axle, Truck	1
8	64469A	Handle, Lifting	1
9	962170	Screw, 10-24 x 1/4 HRSS	1
10	25903A	Mainframe	1
11	80295A	Washer, Bowed	1
12	71291A	Nameplate FA-8	1
13	22123A	Cover, Front	1
14	80373A	Rivet, 5/32 x 5/16 Grip	5
15	39883A	Bumper, 1.25 x 16.25 Felt	1
16	57423A	Retaining Ring, Ext. SH	1
17	60434B	Arm, Truck Level	1
18	85835A	Screw, 1/4-20 x 2.50 HHMS	1
19	920365	Nut, 1/2-13 Nylock	2
20	980648	Washer, 17/32 x 1 1/16 Plain	4
21	59954A	Wheel, Truck	2
22	86114A	Screw, 1/2-13 x 2.50 LH SC	1
23	920196	Nut, 1/2-13 Hex Jam	3
24	60435A	Arm, Truck Lift	1
25	58699A	Spring, Tension Drum Pres.	1
26	980645	Washer, 3/8" S.A.E. Flat	2
27	920110	Nut, 5/16-18 Hex Lock	2
28	65707A	Link, Control Adjuster	1
29	61659A	Collar, Control Link	1
30	65706A	Link, Control	1
31	81210A	Locknut, 3/8 Conduit	1
32	962666	Screw, 10-24 x 5/8 PHCR	2
33	41807A	Contacto DPST 115V Coil	1
34	962798	Screw, 10-24 x 3/8 PHCR	5
35	980022	Washer, Wave	2
36	960952	Bolt, Shoulder 3/8 x 3/8	2
37	65618A	Lever, Control	1
38	34609A	Grip, Control Lever	1
39	34610A	Grip, 7/8 Handle	2
40	63928A	Guard, Switch	1
41	24525A	Control Housing	1
42	47320A	Switch, Toggle	1
43	980603	Washer, #10 Lock Ext. Tooth	2
44	962666	Screw, 10-24 x 3/4 PHCR	6
45	69106A	Tube, Handle	1
46	51523A	Strain Relief, Bushing 7/8 x .20	1
47	80350A	Clevis Pen .312 x .125	1
48	80026A	Bolt, Shoulder 3/8 x 1/2	1
49	81217A	Nut, 1/4-20 Hex Elas. Stop	2
50	58698A	Spring, Comp. Truck Level	1
51	915082	Key, 3/16 Sq. x 1.25"	1

Clarke
American Sanders
FA-8
Wiring Diagram 7/07



CLARKE PRODUCT SUPPORT BRANCHES

U. S. A. Locations

PRODUCTION FACILITIES

Clarke®, Springdale, Arkansas
2100 Highway 265
Springdale, Arkansas 72764
(479) 750-1000
Customer Service - 1-800-253-0367
Technical Service - 1-800-356-7274

SERVICE FACILITIES

Clarke®, Elk Grove, Illinois 60007
2280 Elmhurst Road
(847) 956-7900

Clarke®, Denver, Colorado 80204
1955 West 13th Ave.
(303) 623-4367

Clarke®, Houston, Texas 77040
7215 North Gessner Road
713-937-7717

SERVICE AND SALES FACILITY

American Lincoln® / Clarke, Madison Heights,
Michigan 48071-0158
29815 John R.
(810) 544-6300

American Lincoln® / Clarke, Marietta, Georgia 30066
1455 Canton Road
(770) 218-2116

Clarke®

Clarke American Sanders

Customer Service Headquarters and Factory
2100 Highway 265
Springdale, Arkansas 72764
(479) 750-1000

Technical Service
1-800-356-7274

European Locations

PRODUCTION FACILITIES

ALTO Danmark A/S, Aalborg
Blytaekkervej 2
DK-9000 Aalborg
+45 72 18 21 00

ALTO Danmark A/S, Hadsund
Industrikvarteret
DK-9560 Hadsund
+45 72 18 21 00

SALES SUBSIDIARIES

ALTO US - Canada, Ontario (Canada)
4080 B Sladeview Crescent Unit 1
Mississauga, Ontario L5L 5Y5
(905) 569 0266

ALTO Overseas Inc., Sydney (Australia)
1B/8 Resolution Drive
Caringbah NSW 2229
+61 2 9524 6122

ALTO Cleaning Systems Asia Pte Ltd., Singapore
No. 17 Link Road
Singapore 619034
+65 268 1006

ALTO Deutschland GmbH, Bellenberg (Germany)
Guido-Oberdorfer-Straße 2-8
89287 Bellenberg
+49 0180 5 37 37 37

ALTO Cleaning Systems (UK) Ltd., Penrith
Gilwilly Industrial Estate
Penrith
Cumbria CA11 9BN
+44 1768 868 995

ALTO France S.A. Strasbourg
B.P. 44, 4 Place d'Ostwald
F-67036 Strasbourg
Cedex 2
+33 3 8828 8400

ALTO Nederland B.V.
Postbus 65
3370 AB Hardinxveld-Giessendam
The Netherlands
+31 184 677 200

ALTO Sverige AB, Molndal (Sweden)
Aminogatan 18
Box 4029
S-431 04 Molndal
+46 31 706 73 00

ALTO Norge A/S, Oslo (Norway)
Bjornerudveien 24
N-1266
+47 2275 1770

Clarke® American Sanders U. S. Warranty

This Clarke American Sanders Industrial/Commercial Product is warranted to be free from defects in materials and workmanship under normal use and service for a period of one year from the date of purchase, when operated and maintained in accordance with Clarke American Sanders' Maintenance and Operations Instructions.

This warranty is extended only to the original purchaser for use of the product. It does not cover normal wear parts such as electrical cable or V-belts.

If difficulty develops with the product, you should:

(a). Contact the nearest authorized Clarke American Sanders repair location or contact the ALTO Service Operations Department, 2100 Highway 265, Springdale, Arkansas 72764, for the nearest authorized Clarke American Sanders repair location. Only these locations are authorized to make repairs to the product under this warranty.

(b). Return the product to the nearest Clarke American Sanders repair location. Transportation charges to and from the repair location must be prepaid by the purchaser.

(c). Clarke American Sanders will repair the product and or replace any defective parts without charge within a reasonable time after receipt of the product.

Clarke American Sanders' liability under this warranty is limited to repair of the product and/or replacement of parts and is given to purchaser in lieu of all other remedies, including INCIDENTAL AND CONSEQUENTIAL DAMAGES.

THERE ARE NO EXPRESS WARRANTIES OTHER THAN THOSE SPECIFIED HEREIN. THERE ARE NO WARRANTIES WHICH EXTEND BEYOND THE DESCRIPTION OF THE FACE HEREOF. NO WARRANTIES, INCLUDING BUT NOT LIMITED TO WARRANTY OF MECHANICALITY, SHALL BE IMPLIED. A warranty registration card is provided with your Clarke American Sanders product. Return the card to assist Clarke American Sanders in providing the performance you expect from your new floor machine.

Clarke, 2100 Highway 265, Springdale, Arkansas 72764.

Clarke American Sanders reserves the right to make changes or improvements to its machine without notice.

Always use genuine Clarke American Sanders Parts for repair.

Clarke®

American Sanders

**2100 Highway 265
Springdale, Arkansas, 72764**