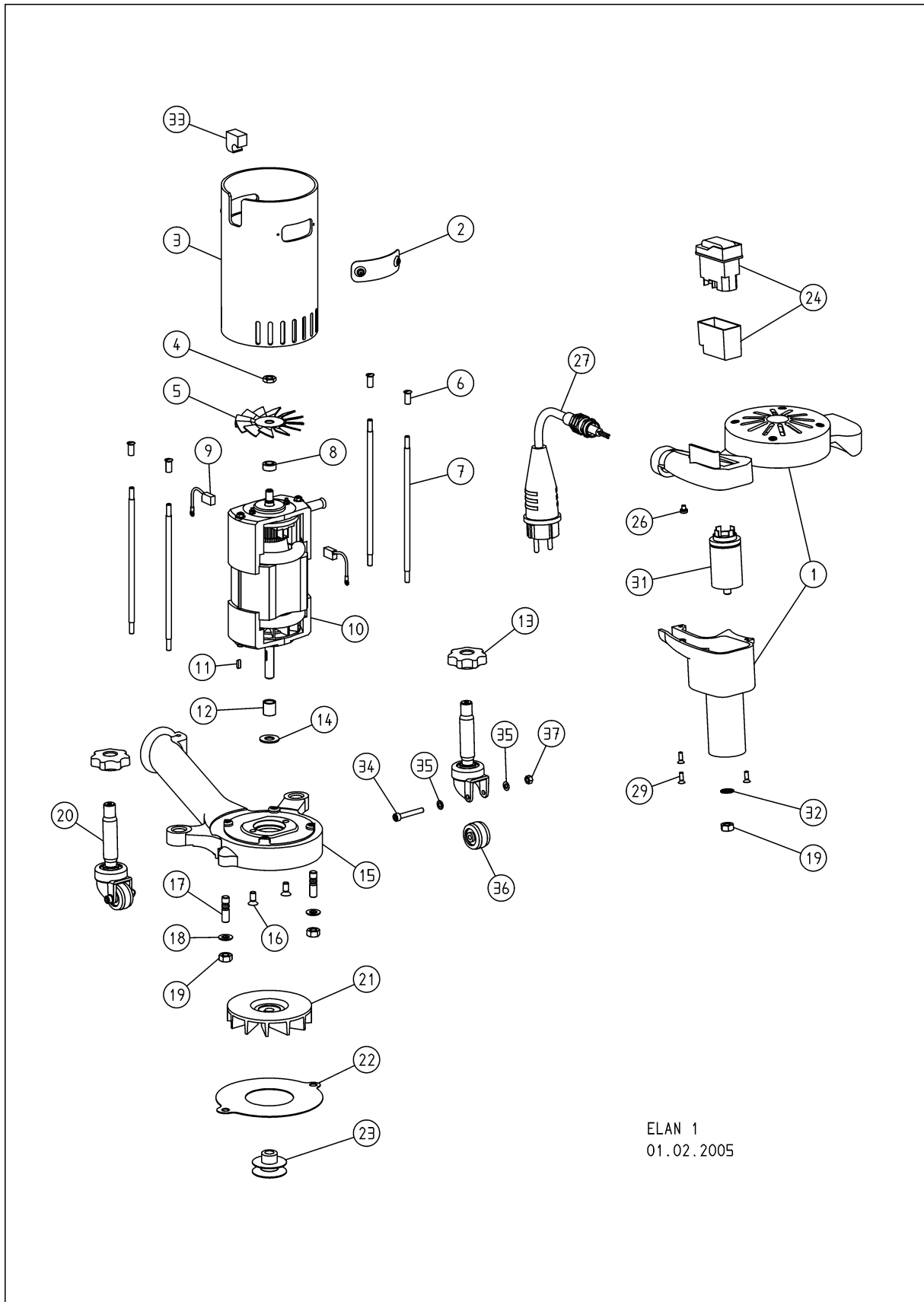


SPARE PARTS



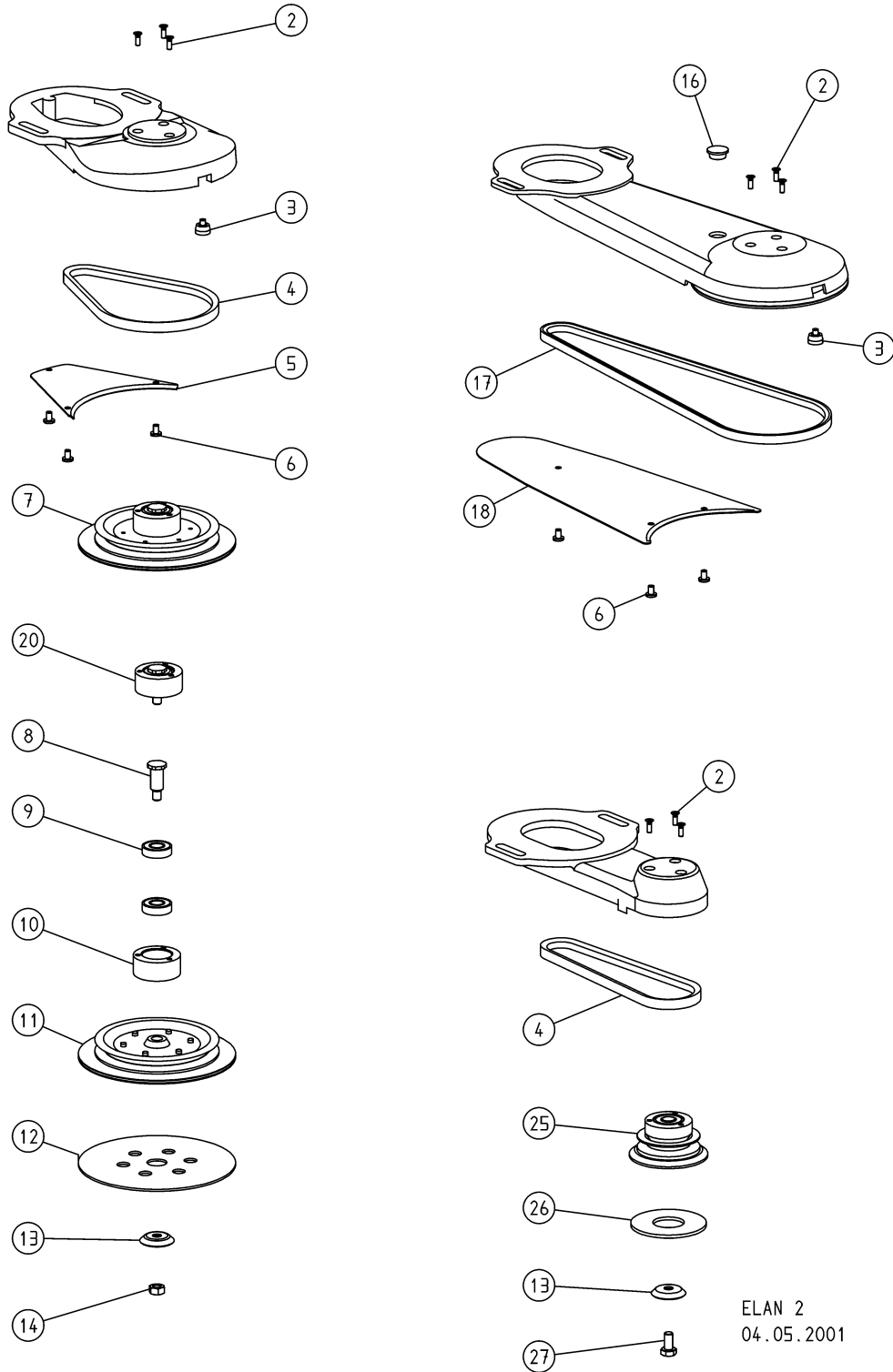
24

ELAN 1
01.02.2005

SPARE PARTS

| Pos. | Product-No. | Description |
|------|---------------|---|
| 1 | 350.05.00.100 | Handle complete |
| | 352.05.00.100 | Handle complete, USA |
| 2 | 350.05.15.100 | Cover complete |
| 3 | 350.05.10.100 | Casing tube complete |
| 4 | 0439.1008.800 | Nut, left-handed thread |
| 5 | 350.65.02.100 | Fan blade |
| 6 | 000.50.14.051 | Sleeve nut |
| 7 | 350.01.03.105 | Spacer bolt |
| 8 | 350.65.04.105 | Spacer ring |
| 9 | 350.65.82.105 | Carbon brush, ELAN |
| 10 | 350.65.00.200 | Universal motor, 230 V / 50 + 60 CPS |
| | 352.65.00.200 | Universal motor, 110 V / 50 + 60 CPS |
| 11 | 6885.0303.010 | Key |
| 12 | 350.65.06.105 | Spacer bush |
| 13 | 320.05.11.205 | Star grip (lock nut) |
| 14 | 000.10.10.104 | Washer |
| 15 | 350.01.01.100 | Fan housing |
| 16 | 0965.1006.814 | Countersunk head screw |
| 17 | 0939.1008.020 | Stud |
| 18 | 0125.1008.000 | Washer |
| 19 | 0934.1008.000 | Nut |
| 20 | 320.05.00.200 | Guide roller, complete |
| 21 | 350.65.03.100 | Fan wheel |
| 22 | 350.01.02.100 | Fan cover |
| 23 | 350.65.05.100 | Motor pulley |
| 24 | 000.65.60.255 | Switch with dust cover, 230 V / 50 + 60 CPS |
| | 000.65.60.155 | Switch with dust cover, 110 V / 50 + 60 CPS |
| 26 | 7985.4004.006 | Lens head screw |
| 27 | 000.65.43.151 | Motor cable 3 x 1.5 mm ² |
| | 000.65.43.153 | Motor cable 3 x 1.5 mm ² , USA |
| 29 | 7500.1004.812 | Countersunk head screw |
| 31 | 000.65.18.010 | Interference-free capacitor |
| 32 | 6797.1008.000 | Toothed lock washer |
| 33 | 350.05.31.100 | Sealing rubber |
| 34 | 0912.1005.035 | Hexagonal socket head screw |
| 35 | 0125.1005.000 | Washer |
| 36 | 320.05.09.305 | Wheel |
| 37 | 0980.1005.000 | Nut |

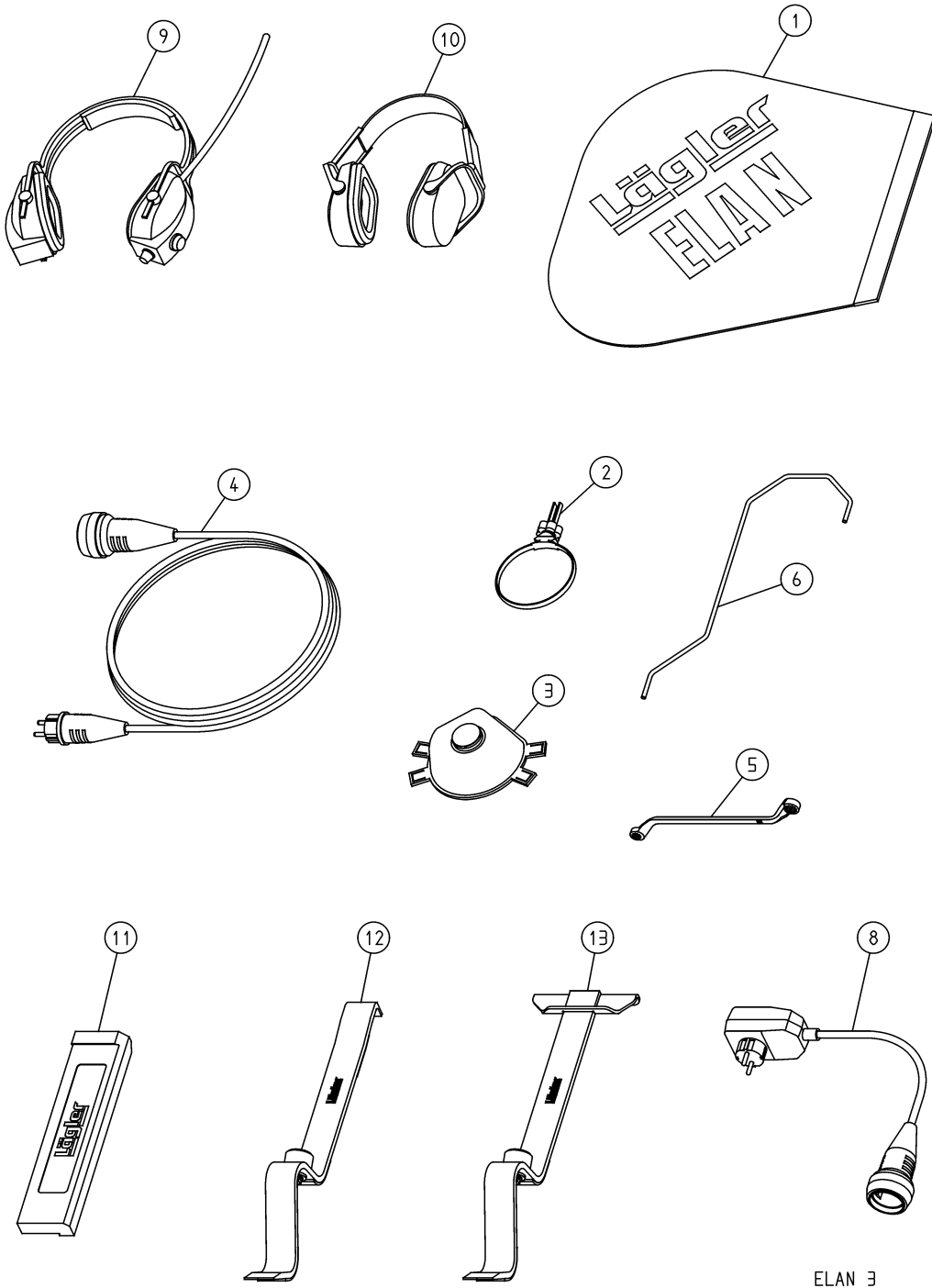
SPARE PARTS



SPARE PARTS

| Pos. | Product-No. | Description |
|------|---------------|------------------------------------|
| | 350.03.50.100 | Short attachment ELAN, complete |
| 2 | 7500.1004.812 | Countersunk head screw |
| 3 | 350.03.25.100 | Wall protecting roller, complete |
| 4 | 000.71.24.044 | V-belt 10 x 440 |
| 5 | 350.03.02.100 | Cover, short |
| 6 | 000.10.12.051 | Pan head screw |
| 7 | 350.03.52.100 | Steel sanding disc, complete |
| 8 | 350.03.12.105 | Sanding disc axle |
| 9 | 6001.0012.202 | Ball bearing |
| 10 | 350.03.11.100 | Bearing ring |
| 11 | 350.03.56.100 | V-belt pulley, complete |
| 12 | 350.03.35.205 | Velcro disc 150 mm |
| | 350.03.34.105 | Felt disc 150 mm |
| 13 | 350.03.16.100 | Paper tensioning disc |
| 14 | 0934.1008.000 | Nut |
| | 350.04.50.100 | Long attachment ELAN, complete |
| 16 | 000.40.30.017 | Plug |
| 17 | 000.71.51.084 | V-belt 10 x 840 |
| 18 | 350.04.02.100 | Cover, long |
| 20 | 350.03.48.100 | Bearing ring, complete |
| | 350.08.00.100 | Corner attachment ELAN, complete |
| 25 | 350.08.10.100 | Steel sanding disc 75 mm, complete |
| 26 | 350.08.13.105 | Felt disc 75 mm |
| 27 | 0933.1008.016 | Hexagonal head screw |
| | | |

SPARE PARTS

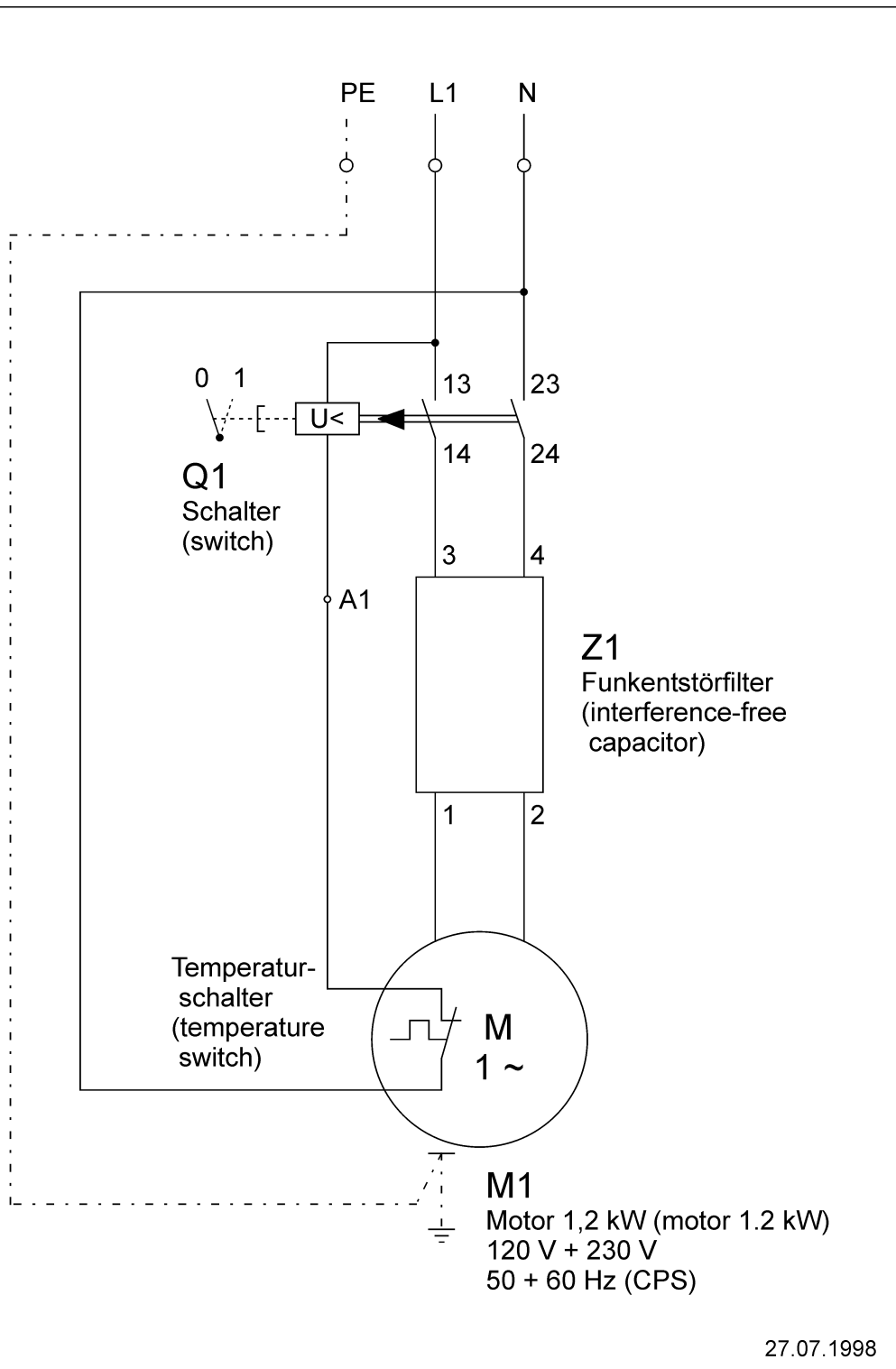


ELAN 3
01.12.2007

SPARE PARTS

| Pos. | Product-No. | Description |
|------|---------------|---|
| 1 | 350.00.80.105 | Dust bag ELAN |
| 2 | 000.01.40.110 | Multiclip |
| 3 | 000.01.20.010 | Protective mask P3 |
| 4 | 000.65.53.151 | Extension cable 3 x 1.5 mm ² , 10 m long |
| 5 | 000.95.21.103 | Closed mouth wrench |
| 6 | 350.01.05.200 | Dust bag clamp |
| 8 | 000.01.65.010 | DI-safety plug |
| 9 | 000.01.10.011 | Foldable earmuff type MUSIMUFF with FM radio |
| 10 | 000.01.10.021 | Foldable earmuff type POCKET |
| 11 | 701.10.00.100 | Impact tool |
| 12 | 702.00.00.200 | Parquet layer tool with small angle-bracket |
| 13 | 703.00.00.200 | Parquet layer tool with broad angle-bracket |

CIRCUIT DIAGRAM



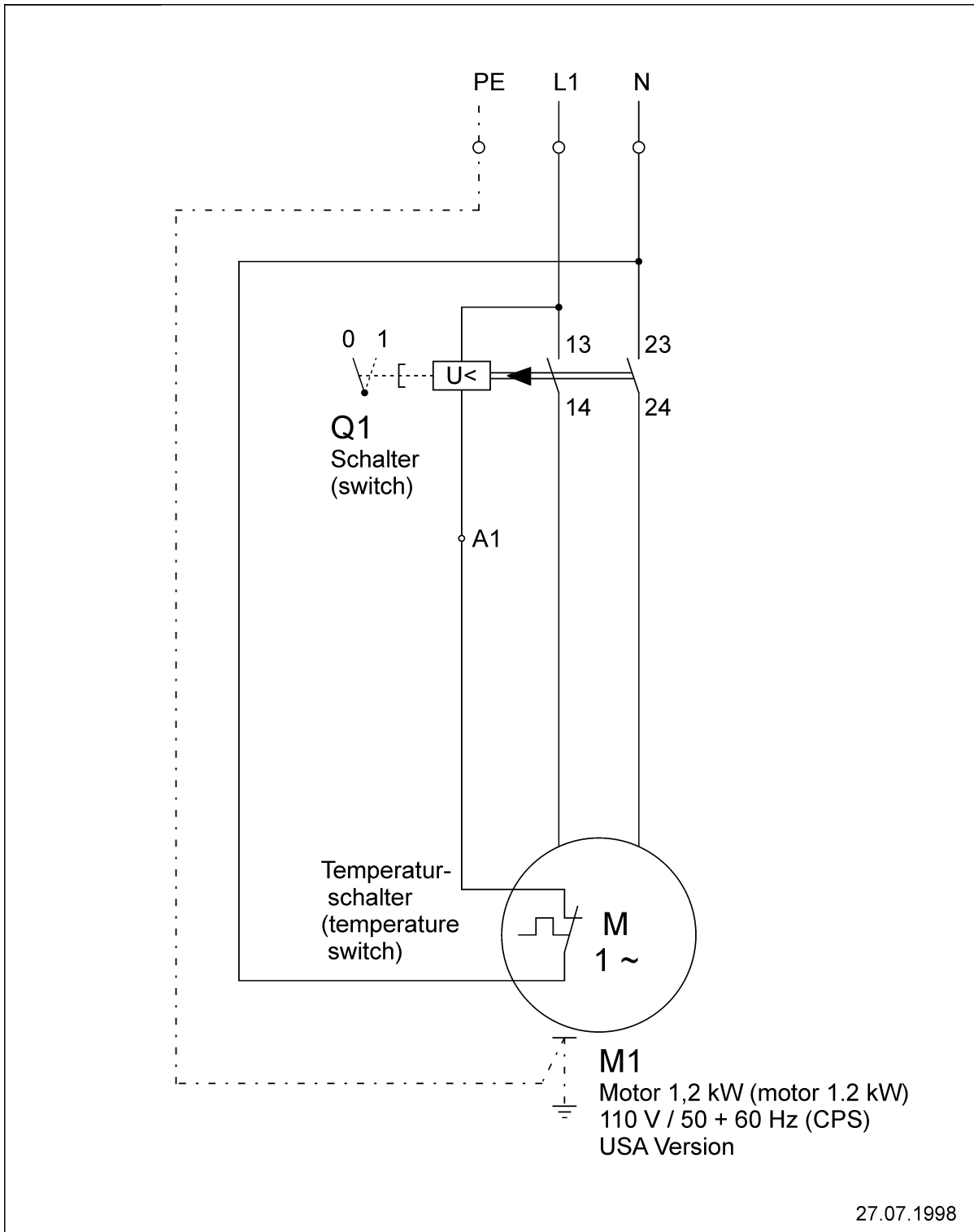
30

27.07.1998

| | |
|---|---|
| <p>ELAN: Universalmotor (universal motor)</p> | <p>1,2 kW (1.2 kW) / 120 + 230 V / 50 + 60 Hz (CPS)</p> |
|---|---|

| | | |
|---|---|--|
| <p>EUGEN LÄGLER GMBH Industriegebiet Kappelrain D-74363 Güglingen-Frauenzimmern</p> | <p>Telefon Phone : +49 - 7135 - 98 90 - 0 Fax: +49 - 7135 - 98 90 - 98</p> | <p>E-Mail: info@laegler.com Internet: http://www.laegler.com</p> |
|---|---|--|

CIRCUIT DIAGRAM



| | |
|--|---|
| ELAN: Universalmotor (universal motor) | 1,2 kW (1.2 kW) / 110 V / 50 + 60 Hz (CPS) USA Version |
|--|---|

| | | |
|--|---|--|
| EUGEN LÄGLER GMBH Industriegebiet Kappelrain D-74363 Güglingen-Frauenzimmern | Telefon Phone : +49 - 7135 - 98 90 - 0 Fax: +49 - 7135 - 98 90 - 98 | E-Mail: info@laegler.com Internet: http://www.laegler.com |
|--|---|--|

N O T E S