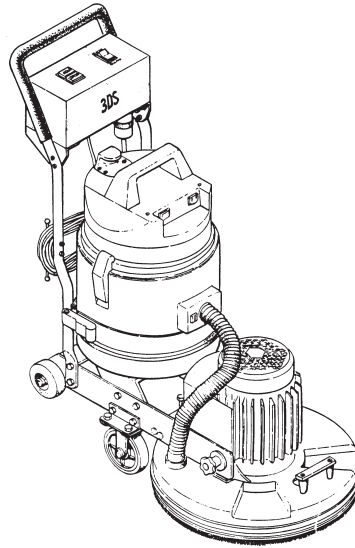

Clarke®

American Sanders

3DS



Operator's Manual
Bedienungshandbuch
Manual del operador
Manuel de l'utilisateur
Manuale per l'operatore
Руководство по эксплуатации



READ THIS BOOK

LESEN SIE DIESES HANDBUCH

LEA ESTE MANUAL

LISEZ CE MANUEL

IMPORTANTE

ПРОЧИТЕ ЭТУ КНИГУ

EN

English (2-15)

DE

Deutsch (16-29)

ES

Español (30-43)

FR

Français (44-57)

IT

Italiano (58-71)

RU

Русский (72-84)

READ THIS BOOK

This book has important information for the use and safe operation of this machine. Failure to read this book prior to operating or attempting any service or maintenance procedure to your Clarke American Sanders machine could result in injury to you or to other personnel; damage to the machine or to other property could occur as well. You must have training in the operation of this machine before using it. If operator(s) cannot read English, have this manual explained fully before attempting to operate this machine.

All directions given in this book are as seen from the operator’s position at the rear of the machine.

For new books write to: Clarke®, 2100 Highway 265, Springdale, Arkansas 72764

Contents of this Book

Operator Safety Instructions 3
 Explanation of Hazard Symbols 4
 Introduction and Machine Specifications 5
 Instructions On Connection To Power Supply 230 Volt 6
 Machine Breakdown/Transportation 7
 Machine Set-Up 9
 Operating Instructions 10
 Maintenance 11
 User Maintenance 11
 Service Maintenance 11
 Troubleshooting 12
 Sanding Cuts and Sandpaper 13
 Accessories 14

Section II Parts and Service Manual

Assembly Drawing #1 86
 Assembly Parts List #1 87
 Assembly Drawing #2 88
 Assembly Parts List #2 89
 Electrical Schematic 90

English Correct Disposal of This Product (Waste Electrical & Electronic Equipment)
(Applicable in the European Union and other European countries with separate collection systems)



This marking shown on the product or its literature, indicates that it should not be disposed with other household wastes at the end of its working life. To prevent possible harm to the environment or human health from uncontrolled waste disposal, please separate this from other types of wastes and recycle it responsibly to promote the sustainable reuse of material resources. Household users should contact either the retailer where they purchased this product, or their local government office, for details of where and how they can take this item for environmentally safe recycling. Business users should contact their supplier and check the terms and conditions of the purchase contract. This product should not be mixed with other commercial wastes for disposal.

OPERATOR SAFETY INSTRUCTIONS

DANGER means:	Severe bodily injury or death can or will occur to you or other personnel if the DANGER statements found on this machine or in this Operator's Manual are ignored or are not adhered to. Read and observe all DANGER statements found in this Operator's Manual and on your machine.
WARNING means:	Severe injury can occur to you or to other personnel if the WARNING statements found on your machine or in this Operator's Manual are ignored or are not adhered to. Read and observe all WARNING statements found in this Operator's Manual and on your machine.
CAUTION means:	Minor personal injury, property damage, or damage to machine can occur if the CAUTION statements found on your machine or in this Owner's Manual are ignored or are not adhered to. Read and observe all CAUTION statements found in this Operator's Manual and on your machine.

**DANGER:**

Failure to read the Operator's Manual prior to operating or servicing your machine could result in injury to you or to other personnel; damage to the machine or to other property could occur as well. You must have training in the operation of this machine before using it. **If you cannot read English, have this manual explained fully before attempting to operate this machine.**

**DANGER:**

Operating a machine that is not completely or fully assembled can result in injury to the operator or property damage. Do not operate this machine until it is completely assembled. Keep all fasteners tight. Keep adjustments according to machine specifications.

**DANGER:**

Explosive materials, severe bodily injury or death can occur. Sanding/finishing wood floors can create an explosive or combustible environment. Do not operate this machine around solvents, thinners, alcohol, fuels, floor finishes, wood dust or any other flammable materials. Vapors and wood dust generated by sanding or finishing wood flooring can create an explosive environment. Cigarette lighters, pilot lights, electrical sparks and all other sources of ignition should be extinguished or avoided. Keep work area well ventilated.

**DANGER:**

Dust generated from sanding wood floors can spontaneously ignite or explode. Promptly dispose of any sanding dust in a metal container clear of any combustibles. Do not dispose in a fire.

**DANGER:**

Electrocution could occur if the machine is being serviced while the machine is connected to a power source. Disconnect the power supply before servicing. Always remove the electrical plug from the power source before changing the brush pad or other attachment. Always disconnect the power supply before leaving the machine.

**DANGER:**








Electrocution or fire could occur if the machine is being operated with a damaged power cord. Keep the power cord clear of the pad. Always lift the cord over the machine. Do not move the machine by the power cord.

**DANGER:**

Electrocution could occur if the machine is used on an ungrounded electrical circuit. Always use a three-wire electrical system connected to the electrical ground. Never remove or disable the grounding supply conductor on the electrical cord. Consult an electrician if the grounding conductor is missing or if you suspect your circuit is not grounded properly.

**DANGER:**

To avoid injury keep hands, feet, and loose clothing away from all moving parts on the machine. Disconnect the power cord before replacing the pad, changing the abrasive, or when servicing. Do not operate the machine unless the machine is in the upright position and the sanding unit contacts the floor. Never leave the machine unattended while connected to a power source.

-  **WARNING:**  Shock hazard. Electrical components of this machine can “short-out” if exposed to water or moisture. Keep the electrical components of the machine dry. Wipe the machine down after each use. For storage, keep the machine in a dry building.
-  **WARNING:**  Injury can occur if protective clothing or equipment is not used while sanding. Always wear safety goggles, protective clothing, and dust mask while sanding.
-  **WARNING:** Any alterations or modifications of this machine could result in damage to the machine or injury to the operator or other bystanders. Alterations or modifications not authorized by the manufacturer voids any and all warranties and liabilities.
-  **WARNING:** Operating a machine without observing all labels and instructional information could result in injury to the operator or damage to the machine. Read all machine labels before attempting to operate the machine. Make sure all of the labels and instructional information are attached or fastened to the machine. Get replacement labels and decals from your authorized distributor.
-  **WARNING:** The machine is heavy. Injury could occur to the operator or other bystanders unless proper lifting procedures are used. Get help to lift the machine.

Explosion



Moving parts



Heavy Object



Electrical Shock



Eye Protection



Read Owner's Manual



Explanation of Hazard Symbols

Failure to read operator's manual could result in injury to operator or damage to machine.



The symbol of a flame shows that the material can ignite and burn you.



The symbol of a man with voltage going through him depicts electrocution or shock. This can cause death or severe injury.



This symbol refers to the danger of moving parts. Injury can occur.



This symbol of a person wearing goggles warns of injuries to eyes.



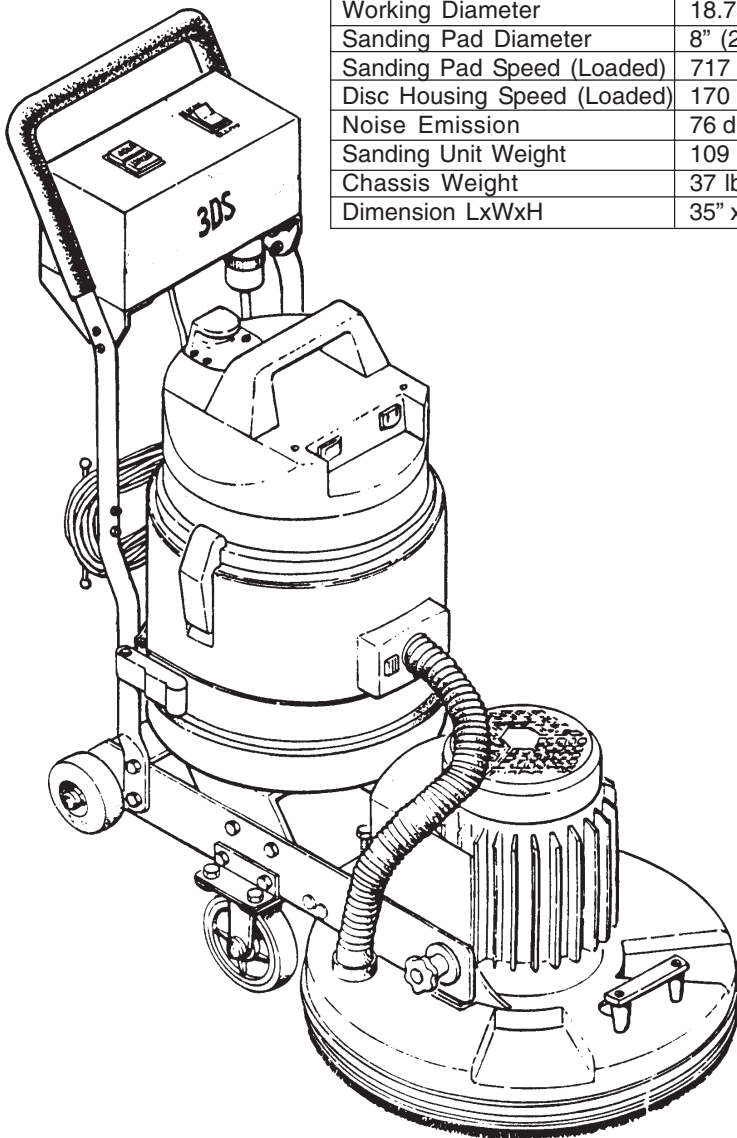
This symbol of a man lifting shows that injury could occur without proper lifting procedures.

Introduction & Machine Specifications

The 3DS is a machine designed primarily for fine finish sanding of hardwood floors. The finish sanding process results in a smoother and flatter floor and assists in removing imperfections created during the drum or belt sanding process. This machine can not be used on wet surfaces.

PRODUCT SPECIFICATIONS

Machine Code	07082C	07112A (UK)	07085C (EU)
Vacuum	Equipped w/vacuum		
Weight	163 lbs. (74 kg)		
Shipping Weight	234 lbs. (106 kg)		
Machine Type	3 Disc Dry Sanding		
Motor	3 Hp Single Phase	2.2kW Single Phase	
Voltage	230v		
Frequency	60 Hz	50 Hz	
Supply Cable	40' 12-3 SJO	15m HO7RN-F3G1.50	
Amperage	11.5A		
Overload Protection	15 A Circuit Breaker		
Motor Insulation Class	F		
Working Diameter	18.75" (48 cm)		
Sanding Pad Diameter	8" (203 mm)		
Sanding Pad Speed (Loaded)	717 rpm		
Disc Housing Speed (Loaded)	170 rpm		
Noise Emission	76 dBA		
Sanding Unit Weight	109 lbs (49 kg)		
Chassis Weight	37 lbs (17 kg)		
Dimension LxWxH	35" x 20" x 39.5" (88 x 51 x 100 cm)		



Grounding Instructions - 230 Volt

**230 VOLT MACHINES
INSTRUCTIONS FOR CONNECTION
TO THE POWER SUPPLY
AND THE ELECTRICAL GROUND**

CAUTION: To avoid damage to the machine operate only on AC frequency and electrical voltage shown on the nameplate. Make sure you have the correct frequency and voltage before connecting the power cord to an outlet.

This product must be grounded. If it should malfunction or breakdown, grounding provides a path of least resistance for electric current to reduce the risk of electric shock. This product is equipped with a cord having an equipment-grounding conductor and grounding plug. The plug must be inserted into an appropriate outlet that is properly installed and grounded in accordance with all local codes and ordinances.

WARNING: Improper connection of the equipment-grounding conductor can result in a risk of electric shock. Check with a qualified electrician or service person if you are in doubt as to whether the outlet is properly grounded. Do not modify the plug provided with the product - if it will not fit the outlet, have a proper outlet installed by a qualified electrician.

This product is for use on a nominal 230 volt circuit and has a grounding attachment plug that looks like one of the plugs illustrated in Fig. 1. Make sure that the product is connected to an outlet having the same configuration as the plug. No adaptor should be used with this product.

This machine must be connected to the electrical ground to protect the operator from electrical shock. The machine has a power cord with two main conductors and one earthing conductor. Connect the plug to the receptacle. The green or green and yellow conductor in the cord is the ground wire. Never connect this wire to any terminal other than the ground terminal.

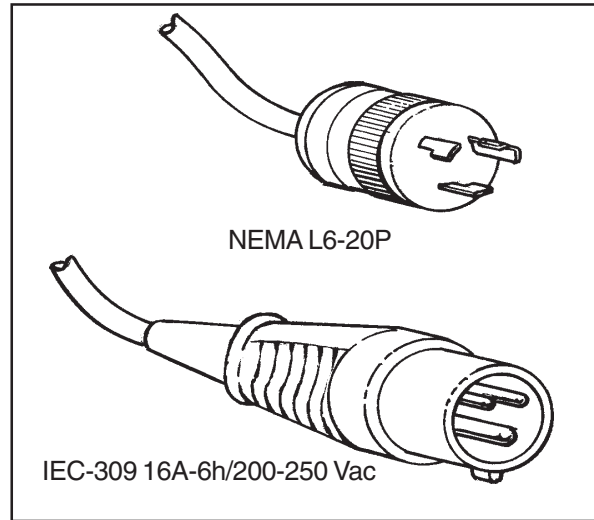


Figure 1

WARNING: To avoid electrical shock always use this machine with an AC three-conductor electrical system connected to the electrical ground. Replace any worn, cut or damaged cords. Replace any damaged plugs, receptacles, or connector bodies. Do not move the machine over an electrical cord. Always lift the cord over the machine.

EXTENSION CORDS

Use only an approved extension cord with two main conductors and one earthing conductor. The machine has a power cord with wire size 12 AWG or 2.5mm².

WARNING: To avoid motor burnout, if you use an extension cord, use an extension cord with minimum wire size of 10 AWG or 4.0mm². Do not use an extension cord longer than 40 feet or 15 meters. Do not join two extension cords.

WARNING: To avoid electrical shock, do not cut, remove or break the ground terminal. Do not try to fit a three-terminal plug into a receptacle or connector body that does not fit the plug. If the receptacle or connector body does not fit the plug, see your authorized Clarke American Sanders dealer to get an authorized person to make the connection.

Machine Breakdown/Transportation

To break down the machine, follow this procedure:

1. Unplug machine from wall and wrap cord.

⚠ WARNING: Injury to the operator or bystanders could occur if the power supply remains connected when servicing the equipment, changing abrasive, or emptying the dust bag.

2. Unplug the power cord, motor cord, and vacuum from electric box.
3. Disconnect the vacuum hose from the sanding unit.
4. Remove both hand knobs from the sanding unit and separate sanding unit from truck frame. (see Figure 2)

⚠ WARNING: The sanding unit is heavy (109 lbs.). To avoid injury to the operator or damage to the machine use a firm grip and proper lifting technique. Get assistance if necessary.



5. To lift the sanding unit grasp the assembly at the lifting sites. (see Figure 3)
6. Unwrap the vacuum power cord from the cleats on the handle and place on vacuum head.
7. Disconnect the vacuum straps by unhinging the draw latch. The vacuum strap will spring back and the vacuum can be lifted off the truck frame. (See Figure 4)
8. The handle may be taken off by removing the four 5/16-18 bolts and nuts that secure it to the truck frame.
9. Secure all elements in cargo area when transporting to avoid damage to the machine.

How to Move Machine (Room to Room)

When moving the machine short distances (room to room) it may be moved by tilting it back until the 4" diameter wheels contact the floor. With steady downward pressure on the handle the machine can be pushed to the desired location. (see Figure 5)

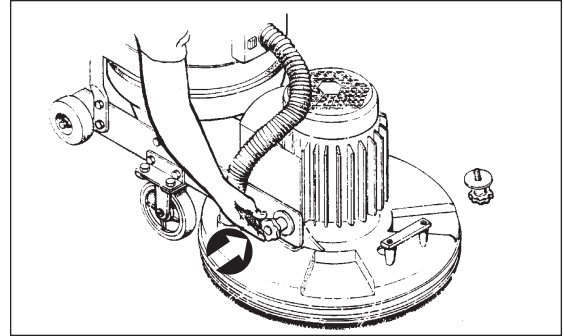


Figure 2

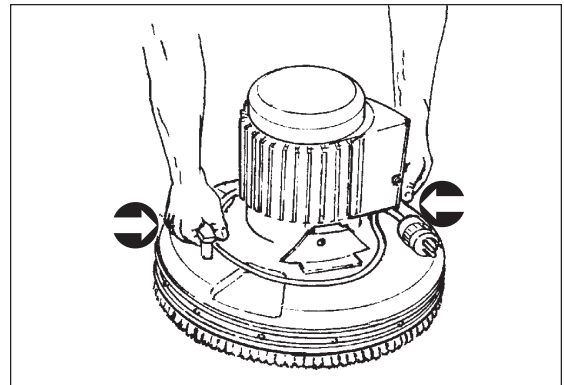


Figure 3

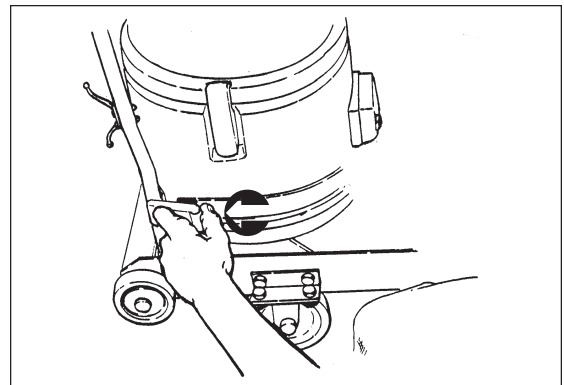


Figure 4



Figure 5

Machine Setup

Listed below are the tools needed for setup of the machine:
 1 - #2 Phillips screwdriver
 2 - 1/2" open end wrenches or (2) adjustable wrenches.

To prepare the machine for use, follow this procedure:

1. Remove all components of the machine from its package and check for damaged or missing parts.
2. Read Operation and Parts Manual, including all danger, warning, and caution statements before operating the machine. If you or the operator are unable to read the language this manual is printed in, have the manual fully explained before attempting to operate this machine.
3. Attach the sanding unit to the truck frame by securing the two hand knobs through the truck frame to the sanding unit. (see Figure 6). The eccentrics in the truck frame should be used for proper alignment between the truck frame and sanding unit. Match tick marks on spacers and frame; one on right and two on left.
4. Route the motor power cable under the head pressure strap and vacuum support strap, then over the tilt assist strap.
5. Secure the handle assembly to the truck frame by bolting it on with the four 5/16-18 bolts and nyloc nuts supplied and plug in motor power cord. (see Figure 7) Tighten the nuts that hold on the tilt wheels and attach the vacuum support straps as per figure 7.
6. Put Dacron filter around the cloth filter. (See Figure 8)
7. Set the dry vacuum on the vacuum support straps with the center bottom in the 2" diameter hole. NOTE: The vacuum hose port should be facing the sanding unit motor. Attach the vacuum strap around the base of the vacuum. (See Figure 9)
8. An optional disposable paper bag is available. If you wish to use the paper bag, remove the vacuum head and install a paper dust control bag by inserting the deflector on the vacuum into the mounting shoe of the paper bag. To ensure the bag is properly seated on the deflector, the rubber seal should rest in the groove of the deflector (See Figure 10). NOTE: Check the paper bag for proper seating after transport to avoid dust in the vacuum tank.
9. Wrap the vacuum cord around the cleats located on the back of the handle. Leave enough slack in the cord to plug into the electric box. Turn the vacuum switch to the "ON" position. The vacuum switch should remain in the "ON" position. (See Figure 11 below)

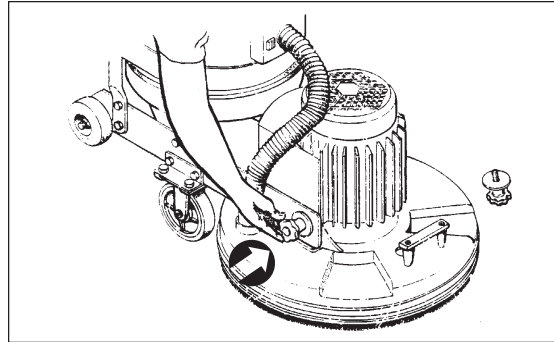


Figure 6

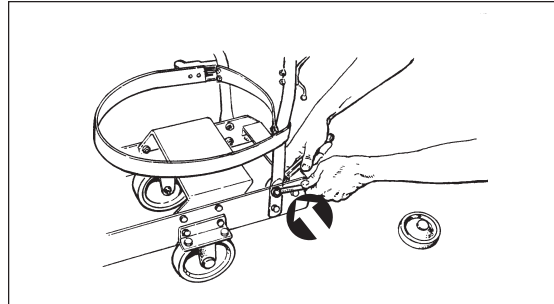


Figure 7



Figure 8

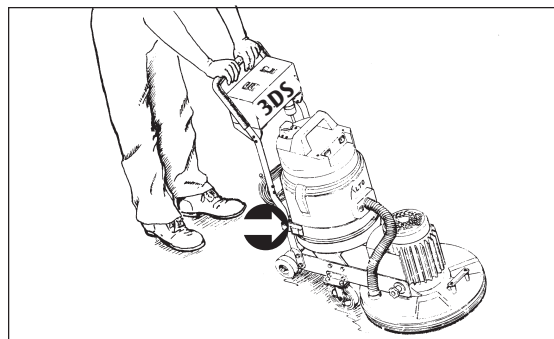


Figure 9

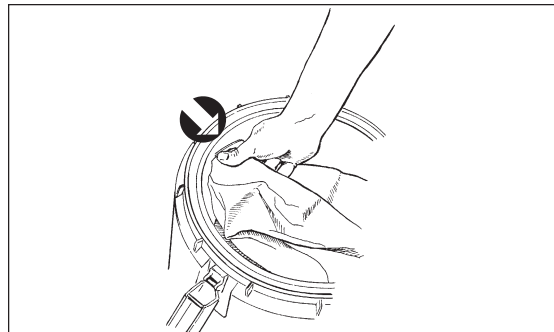


Figure 10

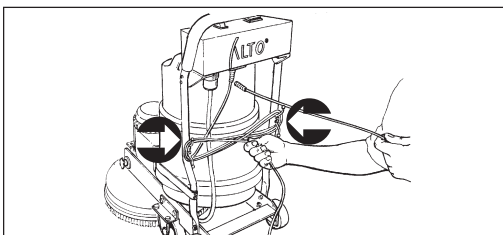


Figure 11

Machine Setup (cont)

⚠ WARNING: Injury could occur to the operator or bystanders if the machine should tip or fall while replacing the pad or changing the abrasive.

⚠ WARNING: Never allow the machine to be started while tilted up. Severe injury could result if the machine is started while the abrasive is being changed.

⚠ CAUTION: Damage to the sanding head will occur if the unit is allowed to drop freely from the tilted position.

⚠ CAUTION: Damage to the pad driver will occur if the machine is operated without sandpaper or screen and pad. Damage to the pad driver can also occur if the pad is less than 1/8" thick.

10. Install or replace sandpaper or screen and pad. The sandpaper, screen, and pad should be replaced if there are any tears or if they have become worn and dull. The pad should also be replaced if its thickness is less than 1/8". To install or replace the sandpaper, screen, or pad: (See Figure 12)

⚠ DANGER: Disconnect the power source. Electrocutation could occur if the machine is connected to the power source while changing the abrasives, pads or emptying the dust bag.



- a.) Unplug the machine from its power source and move the power cord out of your way.
- b.) Tilt the machine back by pressing on the tilt assist strap with your foot while also pushing down on the handle. (see Figure 13)
- c.) Remove foot from tilt assist strap and continue to push down on the handle until the machine rests in the up position on the handle and tilt wheels. (see Figure 14)
- d.) To remove the existing paper or screen / pad stand to the side of the machine and pull from one edge. The screen may have a plastic pushpin in the center that will require removing prior to the screen's removal. (See Figure 15)
- e.) Center the new paper or screen / pad over the pad driver and press against the pad driver until the hooks on the driver hold them in position.

⚠ WARNING: The machine is heavy. Keep others away from the machine because of possible injury if the machine should tip or fall. When replacing the pad or changing the abrasive use caution when tilting the machine. The operator or other bystanders could be injured.

- f.) Return the machine to upright position by standing behind the handle and raising it from the floor until the caster wheels contact the floor. Place your foot on the tilt assist strap and ease the sanding unit to the floor.

11. Connect the vacuum hose to the sanding unit and vacuum.

12. Connect the power cord to the electric box.

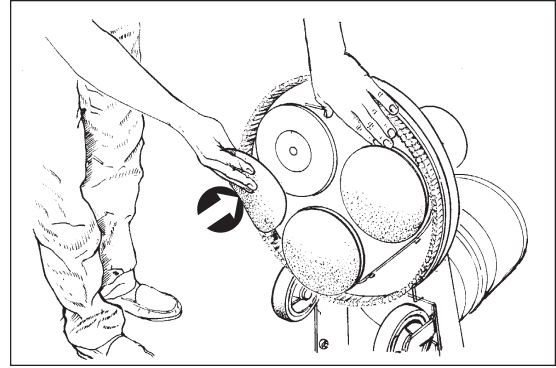


Figure 12

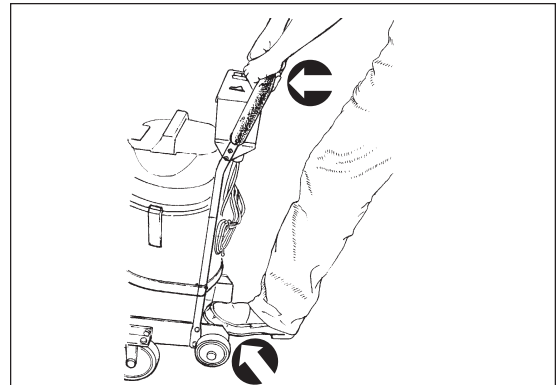


Figure 13

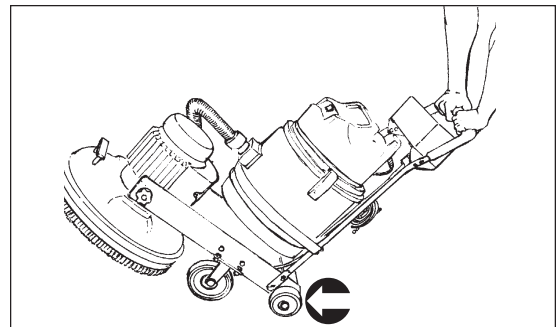


Figure 14

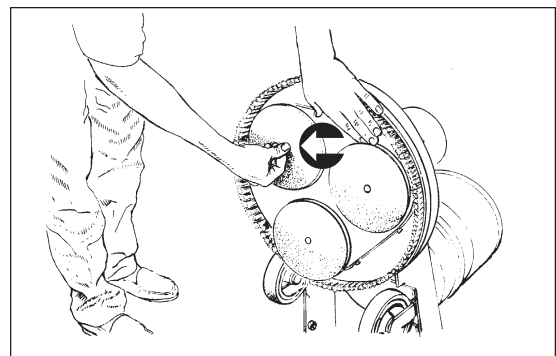


Figure 15

Operating Instructions - Sanding

To operate the machine, follow this procedure:

1. Move machine to work location. When sanding the area, work so that you are moving away from the power supply. This will help to avoid damaging the power cord and reduce the need to move the power cord as frequently.

NOTE: For sanding cuts and sandpaper, see page 13.

WARNING: Injury can occur if the machine is connected to a power source while installing or replacing the abrasives. Disconnect the machine before installing the abrasives.

2. Install the abrasive. Use the same procedure outlined in MACHINE SETUP for installing the sandpaper or screen / pad. (See Page 5)

DANGER: Electrocutation could occur if the machine is used on an ungrounded electrical circuit. Always use a three-wire electrical system connected to the electrical ground. Never remove or disable the grounding supply conductor on the electrical cord. Consult an electrician if the grounding conductor is missing or if you suspect your circuit is not grounded properly.

3. Loosen the head pressure until the rubber foot is not touching the mainframe. (See Figure 16) Tighten until the rubber foot touches the main frame. Adjust to suit by running the machine, then making adjustments either up or down to get sanding action desired.

4. Connect machine's power cord to an appropriately fused and grounded circuit.

5. Stand behind the handle, place the rocker switch to "Automatic" and press the green start switch. To stop the machine, press the red stop button. (See Figure 17)

CAUTION: To prevent possible damage to the flooring and to reduce heat buildup, keep the machine in motion while the motor is running.

6. The operator must be moving the machine when the machine is running. The operator may move the machine in any direction when sanding the floor.

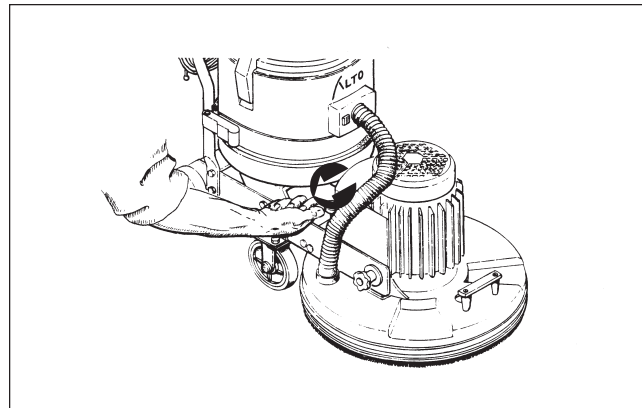


Figure 16

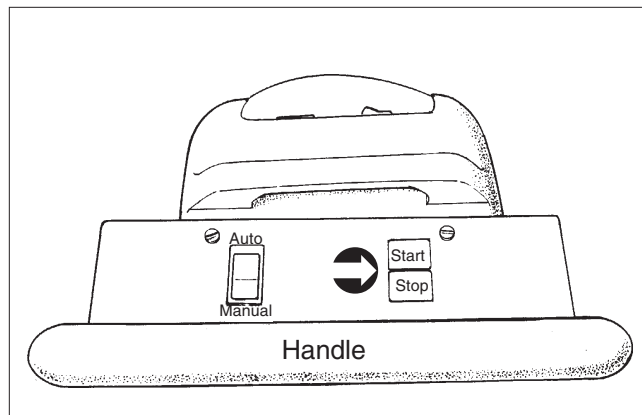


Figure 17

Maintenance

User Maintenance:

The paper bags should be replaced after every 3 hours of use, minimum. Paper bags may need to be replaced more often with heavy cutting and softer wood types.

NOTE: Before paper bags are replaced, the machine must be vacuumed to remove all dust and the cloth filter must be cleaned to remove accumulated dust. **(See the DTV-7 Operator's Manual for instructions on how to clean the cloth filter)**

When changing the sanding paper or screen, the foam and dual lock "velcro" on the sanding pads should be checked for any frays, wear, or damage.

Service Maintenance:

The 3DS Sander must be serviced after every **600 hours** of use. **Contact an authorized Alto Service Center/Person for service.** (The Service Centers are listed on the inside back cover of the Operator's Manual).

The following service should include:

1. Check and/or change the brushes and commutator in the vacuum motor **(See separate operator's manual)**.
2. Check the rubber grommets on the sanding pads for wear and tear; replace if damaged.
3. Check foam on sanding pads for wear and tear; replace if damaged.
4. Check the drive mechanisms for wear, i.e. belts, pulleys, motor shaft.
5. Blow accumulated dust out of vacuum motor.
6. Clean cloth filter on vacuum.

In addition to the above the following service should be done:

1. After **1500 hours** the **drive belt** should be **replaced**.
2. After **3000 hours** the **bearings** on the drive pulleys should be **replaced**.

Troubleshooting

Problem	Cause	Action
Motor will not start	No Power Defective switch / bad connection	Check power supply and connections Contact an authorized dealer
Motor fails to start / runs sluggish	Low voltage from excessive length or undersized extension cord. Defective start capacitor Defective start switch Defective start/run capacitor Defective motor, low voltage	Use a 12 Ga. extension cord, not to exceed 40' in length. Contact an authorized dealer Contact an authorized dealer Contact an authorized dealer Contact an authorized dealer
Fuse / Circuit Breaker repeatedly trips.	Low voltage Bad connection Defective motor	Eliminate extension cord. Locate power source closer to work site. Have voltage checked by a qualified electrician. Contact an authorized dealer Contact an authorized dealer
Machine "hops" during operation	Head pressure adjustment not set to proper pressure. Bad/worn sanding pad Uneven pads. Sandpaper / screen torn, worn or improperly installed.	Adjust the Head pressure bolt to suite. Replace faulty pad. Replace uneven pads. Replace faulty sandpaper/screen or install properly.
Machine pulls to the right during operation.	Head pressure adjustment set too tight.	Loosen the head pressure adjustment. See Figure 17, page 8
Machine fails to properly contain dust.	Paper bag is full or not properly seated on vacuum inlet horn. Cloth filter is clogged	Replace paper bag in vacuum securing properly on vacuum horn. Remove cloth filter and clean by blowing with high pressure air.
Machine pushes to rear when running.	Eccentric spacers on hand knobs improperly set.	Adjust eccentrics to match "tick" marks on frame with eccentric hole toward front of machine. NOTE: After adjustment both casters should turn with the same amount of pressure.

Sanding Cuts and Sandpaper

GENERAL CUTTING

As the machine is designed to have a random cutting pattern, any direction of travel is permitted, however it is recommended that the machine be continuously moved during operation. A path of forward and back then over half is also a general sanding pattern.

INITIAL CUT

The purpose of the initial cut is to remove old finish, gross imperfections, and belt/drum sander marks on the floor surface. Use a course grain abrasive (40-60 grit). For extreme cases use 36 grit abrasive.

FINAL CUTS

The purpose of a finishing cut is to remove the scratches from the initial cut and edger cuts. Use a fine grain abrasive (80-100 grit).

If the surface remains rough after a finishing cut, it may be necessary to use an even finer grain sandpaper abrasive or use a screen abrasive. The pad used with the screen can also be used with fine grit sandpaper to get the desired finish. Care should be taken in selecting the grit size of the abrasive. A very fine grain will close the pores on a wood floor making admission of a stain difficult.

If glazing or burning should occur the abrasive has dulled and must be replaced.

NOTE: This machine is used for fine finish sanding. However 36 and 40 grit sand paper can be used for special applications.

GRAIN	USE	PT/No.
36 grit	For removing gross imperfections and restoring evenness to the old flooring. To remove buildup of paints and varnishes and first sanding of new floor.	945630
40 grit	For first sanding of new flooring (oak and maple). For removing minor imperfections and finishes from old flooring.	945361
60 grit 60 grit mesh	For clean-up from initial cut 36 grit.	945633
80 grit 80 grit mesh	For final sanding of certain hardwoods. For clean-up of cuts (60 grit).	945634
100 grit 100 grit mesh	For final sanding of certain hardwoods and conifers where smooth surface is desired.	945635

ACCESSORIES

Part #	Description
674114	Hose, Vacuum 1½" X 10
682408	Vacuum Hose Adaptor 1½"
639804	Wand Assembly, Curved 1½"
638820	Tool, Felt, Shod 14"
638838	Tool, Bristle, shod 15"

ABRASIVE DISCS FOR 3 DISC SANDER

Part #	Description
945630	BX (25) 3M 8" Hookit Disc #36
945631	BX (25) 3M 8" Hookit Disc #40
945633	BX (25) 3M 8" Hookit Disc #60
945634	BX (25) 3M 8" Hookit Disc #80
945635	BX (25) 3M 8" Hookit Disc #100

MESH DISCS FOR 3 DISC SANDER

Part #	Description
945624	CS(40)7 7/8"x3/16" Mesh Disc #60
945625	CS(40)7 7/8"x3/16" Mesh Disc #80
945626	CS(40)7 7/8"x3/16" Mesh Disc #100

DISC PADS FOR 3 DISC SANDER

Part #	Description
945610	Bx(40)8"x2 ¾" Edger Disc Pad

LESEN SIE DIESES HANDBUCH

Dieses Handbuch enthält wichtige Informationen für den Gebrauch und den sicheren Betrieb dieser Maschine. Versäumen Sie es, dieses Handbuch vor der Inbetriebnahme oder vor der Ausführung von Service- oder Wartungsarbeiten an Ihrer Clarke American Sanders-Maschine zu lesen, kann dies zu Schäden Ihrer Person oder anderen Personals führen. Ebenso könnten Schäden an der Maschine oder andere Sachschäden auftreten. Bevor Sie diese Maschine bedienen, müssen Sie sich mit Ihrer Bedienung vertraut gemacht haben. Wenn Sie kein Englisch verstehen, lassen Sie sich dieses Handbuch vor Bedienung dieser Maschine vollständig erklären.

Alle in diesem Handbuch angegebenen Richtungen beziehen sich auf die Position des Bedieners hinter der Maschine.

Für neue Handbücher schreiben Sie an: Clarke®, 2100 Highway 265, Springdale, Arkansas 72764.

Inhaltsverzeichnis

Sicherheitshinweise für Bediener	17
Erklärung der Gefahrensymbole	18
Einleitung und technische Daten	19
Anweisungen zum Anschluss an 230 V-Netzanschluss	20
Demontage/Transport der Maschine	21
Montage der Maschine	23
Bedienungsanweisungen	24
Wartung	25
Wartung durch den Benutzer	25
Service-Wartung	25
Fehlersuche	26
Schleifschliffe und Schleifpapier	27
Zubehör	28

Teil II Handbuch für Ersatzteile und Service

Montagezeichnung Nr. 1	86
Hauptbaugruppe – Komponentenliste Nr. 1	87
Montagezeichnung Nr. 2	88
Hauptbaugruppe – Komponentenliste Nr. 2	89
Schaltplan	90

Deutsch Korrekte Entsorgung dieses Produkts (Elektromüll)



(Anzuwenden in den Ländern der Europäischen Union und anderen europäischen Ländern mit einem separaten Sammelsystem)

Die Kennzeichnung auf dem Produkt bzw. auf der dazugehörigen Literatur gibt an, dass es nach seiner Lebensdauer nicht zusammen mit dem normalen Haushaltsmüll entsorgt werden darf. Entsorgen Sie dieses Gerät bitte getrennt von anderen Abfällen, um der Umwelt bzw. der menschlichen Gesundheit nicht durch unkontrollierte Müllbeseitigung zu schaden. Recyceln Sie das Gerät, um die nachhaltige Wiederverwertung von stofflichen Ressourcen zu fördern.

Private Nutzer sollten den Händler, bei dem das Produkt gekauft wurde, oder die zuständigen Behörden kontaktieren, um in Erfahrung zu bringen, wie sie das Gerät auf umweltfreundliche Weise recyceln können.

Gewerbliche Nutzer sollten sich an Ihren Lieferanten wenden und die Bedingungen des Kaufvertrags konsultieren. Dieses Produkt darf nicht zusammen mit anderem Gewerbemüll entsorgt werden.

SICHERHEITSHINWEISE FÜR BEDIENER

GEFAHR bedeutet: Schwere Körperverletzungen mit möglicher Todesfolge können für Sie oder Personal eintreten, wenn die durch **GEFAHR** gekennzeichneten Anweisungen an dieser Maschine oder in diesem Bedienungshandbuch ignoriert oder nicht befolgt werden. Lesen und befolgen Sie alle durch **GEFAHR** gekennzeichneten Anweisungen an dieser Maschine oder in diesem Bedienungshandbuch.

WARNUNG bedeutet: Verletzungen mit möglicher Todesfolge können für Sie oder Personal eintreten, wenn die durch **WARNUNG** gekennzeichneten Anweisungen an dieser Maschine oder in diesem Bedienungshandbuch ignoriert oder nicht befolgt werden. Lesen und befolgen Sie alle durch **WARNUNG** gekennzeichneten Anweisungen an dieser Maschine oder in diesem Bedienungshandbuch.

VORSICHT bedeutet: Schäden können an der Maschine oder anderem Eigentum eintreten, wenn die durch **VORSICHT** gekennzeichneten Anweisungen an dieser Maschine oder in diesem Bedienungshandbuch ignoriert oder nicht befolgt werden. Lesen und befolgen Sie alle durch **VORSICHT** gekennzeichneten Anweisungen an dieser Maschine oder in diesem Bedienungshandbuch.



GEFAHR:

Wenn Sie das Bedienungshandbuch nicht gelesen haben, bevor Sie die Maschine bedienen oder warten, riskieren Sie, sich selbst oder andere Personen zu verletzen bzw. die Maschine oder sonstige Ausrüstung zu beschädigen. Bediener müssen im Umgang mit der Maschine unterwiesen werden, bevor sie damit arbeiten. **Falls Sie nicht in der Lage sind, dieses Handbuch in englischer Sprache zu lesen, sorgen Sie dafür, dass es Ihnen eingehend erklärt wird, bevor die Maschine in Betrieb genommen wird.**



GEFAHR:

Wenn Sie eine Maschine bedienen, die noch nicht vollständig zusammengebaut ist, riskieren Sie Verletzungen oder Sachschäden. Bedienen Sie die Maschine erst, nachdem der Zusammenbau vollständig abgeschlossen ist. Sorgen Sie dafür, dass alle Befestigungsvorrichtungen fest angezogen sind. Achten Sie darauf, dass alle Justierungen den Vorgaben des Herstellers entsprechen.



GEFAHR:



Explosive Materialien - Gefahr schwerer Körperverletzung mit möglicher Todesfolge. Das Abschleifen bzw. Fertigstellen von Holzböden kann zu explosionsgefährlichen Bedingungen führen. Betreiben Sie die Maschine nicht mit oder in der Nähe von Lösungsmitteln, Verdünnungsmitteln, Alkohol, Treibstoffen, Brennstoffen, Bodenbearbeitungsmitteln, Holzstaub oder sonstigen entflammaren Substanzen. Die durch das Abschleifen bzw. Fertigstellen von Holzböden freigesetzten Dämpfe bzw. Holzstaub schaffen eventuell eine explosionsgefährliche Umgebung. Feuerzeuge, Anzünder, elektrische Funken und andere Zündquellen sollten ausgemacht bzw. vermieden werden. Halten Sie den Arbeitsbereich stets gut belüftet.



GEFAHR:



Der Schleifstaub kann sich selbst entzünden und einen Brand oder eine Explosion verursachen. Entsorgen Sie den Staub immer prompt in einem Metallbehälter in sicherem Abstand von entzündbarem Material. Entleeren Sie ihn nicht in eine offene Flamme.



GEFAHR:



Es besteht mögliche Stromschlaggefahr, wenn die Maschine gewartet wird, während sie an einer Stromquelle angeschlossen ist. Schalten Sie die Stromversorgung aus, bevor Sie Wartungsarbeiten an dieser Maschine durchführen. Ziehen Sie den Stromstecker stets von der Stromquelle ab, bevor Sie die Bürste bzw. den Pad oder anderes Zubehör auswechseln. Schalten Sie die Stromversorgung aus, wenn Sie die Maschine unbeaufsichtigt stehen lassen.



GEFAHR:



Es besteht mögliche Stromschlag- oder Feuergefahr, wenn die Maschine mit einem schadhafte Stecker oder Stromkabel benutzt wird. Halten Sie das Stromkabel stets vom Pad frei. Heben Sie das Stromkabel immer über die Schleifmaschine. Bewegen Sie die Maschine nicht, indem Sie am Netzkabel ziehen.



GEFAHR:










Es besteht mögliche Stromschlaggefahr, wenn die Maschine an einem ungeerdeten Stromkreis benutzt wird. Verwenden Sie stets ein dreipoliges, geerdetes elektrisches System. Entfernen bzw. deaktivieren Sie keinesfalls den Erdungsleiter am Stromkabel. Konsultieren Sie bitte einen Elektriker, falls der Erdungsleiter nicht vorhanden ist bzw. falls Sie vermuten, dass der Stromkreis nicht richtig geerdet ist.



GEFAHR:




Halten Sie Hände, Füße und lockere Kleidungsstücke von allen beweglichen Teilen der Schleifmaschine fern, um Verletzungen zu vermeiden. Ziehen Sie das Stromkabel aus der Steckdose, bevor Sie den Pad/das Schleifmaterial auswechseln bzw. eine Wartung durchführen. Betreiben Sie die Maschine nur, wenn diese sich in aufrechter Position befindet und die Schleifeinheit den Boden berührt. Lassen Sie die Maschine niemals unbeaufsichtigt, wenn das Versorgungskabel angeschlossen ist.


- 
WARNUNG: Stromschlaggefahr. Wenn elektrische Bauteile der Maschine Wasser oder Feuchtigkeit ausgesetzt werden, besteht Kurzschlussgefahr. Halten Sie die elektrischen Bauteile der Maschine trocken. Wischen Sie die Maschine nach Gebrauch stets ab. Lagern Sie die Maschine in einem trockenen Gebäude.
 
- 
WARNUNG: Es besteht Verletzungsgefahr, wenn beim Schleifen keine Schutzausrüstung getragen wird. Tragen Sie beim Schleifen stets einen Augenschutz, Schutzkleidung und Staubmasken.
 
- 
WARNUNG: Änderungen oder Anpassungen an der Maschine können Schäden an der Maschine verursachen oder den Bediener und Umstehende verletzen. Änderungen oder Anpassungen, die vom Hersteller nicht genehmigt worden sind, führen zur Nichtigkeit aller Garantien und Haftungsverpflichtungen.
- 
WARNUNG: Wenn Sie eine Maschine bedienen, ohne alle Anweisungen auf Aufklebern und Hinweisen zu beachten, riskieren Sie Verletzungen oder Sachschäden. Lesen Sie alle Maschinenaufkleber, bevor Sie die Maschine bedienen. Stellen Sie sicher, dass alle Aufkleber und Hinweisinformationen an der Maschine angebracht oder befestigt sind. Besorgen Sie sich gegebenenfalls Ersatzaufkleber und –schilder von Ihrem Clarke-Händler.
- 
WARNUNG: Die Maschine ist schwer. Falls keine ordnungsgemäßen Hebemethoden angewendet werden, besteht Verletzungsgefahr für Bedienungspersonal oder unbeteiligte Personen. Lassen Sie sich beim Heben der Maschine helfen.


Explosion 	Bewegte Teile 	Schweres Objekt 
Stromschlag 	Augenschutz 	Ziehen Sie bitte Bedienungshandbuch zu Rate. 


Erklärung der Gefahrensymbole


Wenn Sie das Bedienungshandbuch nicht lesen, riskieren Sie, sich selbst oder andere Personen zu verletzen oder die Maschine zu beschädigen.

- 

Das Flammensymbol macht auf flammbares Material und Verbrennungsgefahr aufmerksam.
- 

Das Symbol eines Mannes "unter Spannung" weist auf Stromschlaggefahr hin. Dies kann zu schwerwiegenden Verletzungen und Tod führen.
- 

Dieses Symbol weist auf die Gefahr bewegter Maschinenteile hin. Es besteht Verletzungsgefahr.
- 

Dieses Symbol einer Person mit Schutzbrille warnt vor Augenverletzungen.
- 

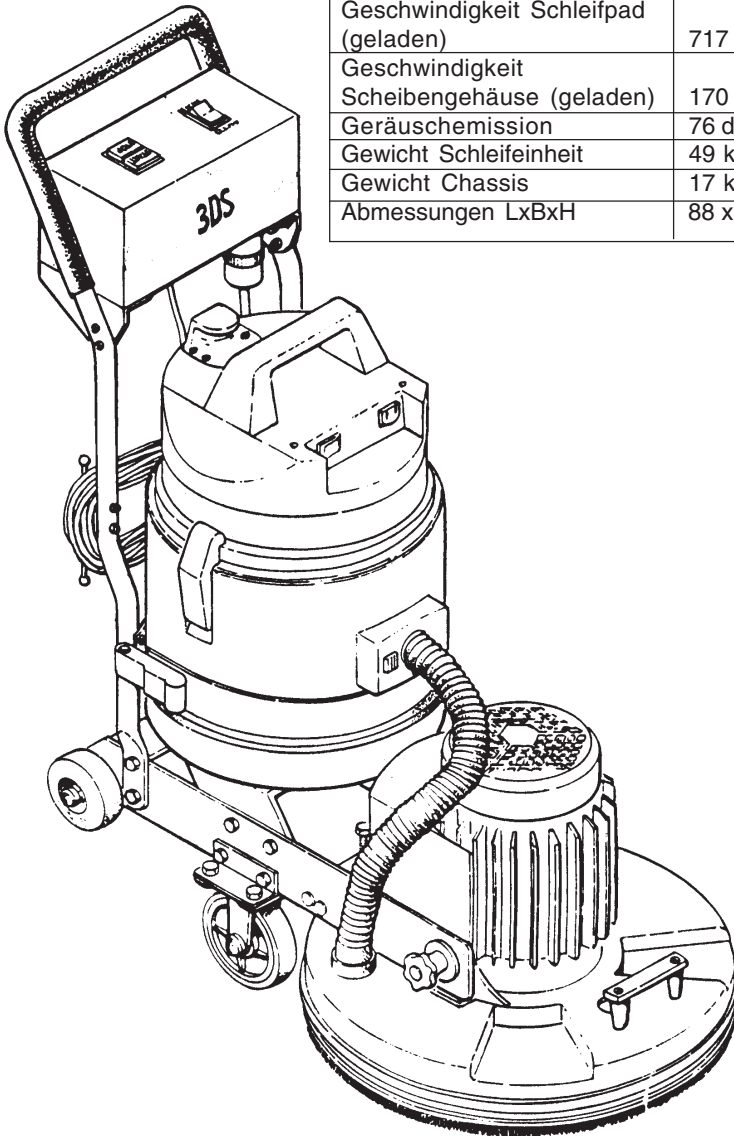
Dieses Symbol eines Mannes, der eine Last hebt, weist auf die Gefahr durch unsachgemäßes Heben hin.

Einleitung und technische Daten

Das 3DS ist ein Gerät, das primär zum Feinschleifen von Hartholzböden entwickelt wurde. Der Feinschleifprozess resultiert in einem ebeneren Boden und hilft bei der Eliminierung von während dem Walzen- oder Bandschleifprozess entstandenen Mängeln. Diese Maschine ist nicht auf nassen Oberflächen anzuwenden.

TECHNISCHE DATEN:

Maschinencode	07068C	07117A (UK)	07068C (EU)
Saugeinheit	Mit Saugeinheit		
Gewicht	74 kg		
Versandgewicht	106 kg		
Maschinentyp	3-Scheiben-Trockenschleifgerät		
Motor	3 PS Einphasenmotor	2,2 kW Einphasenmotor	
Spannung	230 V		
Frequenz	60 Hz	50 Hz	
Stromkabel	40' 12-3 SJO	15 m HO7RN-F3G1.50	
Stromstärke	11,5 A		
Überspannungsschutz	15 A Schutzschalter		
Motorenisolierungsstufe	F		
Betriebsdurchmesser	48 cm		
Durchmesser Schleifpad	203 mm		
Geschwindigkeit Schleifpad (geladen)	717 UpM		
Geschwindigkeit Scheibengehäuse (geladen)	170 UpM		
Geräuschemission	76 dBA		
Gewicht Schleifeinheit	49 kg		
Gewicht Chassis	17 kg		
Abmessungen LxBxH	88 x 51 x 100 cm		



Erdungshinweise - 230 V

**230 VOLT-MASCHINEN
ANWEISUNGEN ZUM ANSCHLUSS
AN DIE STROMQUELLE
UND ELEKTRISCHE ERDUNG**

⚠ VORSICHT: Um Schäden zu verhindern, muss die Maschine ausschließlich unter der Wechselstromfrequenz und Stromspannung in Betrieb genommen werden, die auf dem Maschinenschild angezeigt ist. Sorgen Sie dafür, dass die richtige Frequenz und Stromspannung vorhanden sind, bevor Sie das Stromkabel an die Steckdose anschließen.

Dieses Gerät muss geerdet werden. Im Falle einer technischen Störung oder dem Ausfall der Maschine bietet die Erdung einen Weg des geringsten Widerstands für die Spannung, die das Risiko eines Stromschlags reduziert. Dieses Produkt ist mit einem Kabel mit Erdungsleiter und einem Schukostecker ausgerüstet. Der Stecker ist an eine entsprechende Steckdose anzuschließen, die ordnungsgemäß installiert und unter Einhaltung lokaler Regeln und Verordnungen geerdet wurde.

⚠ WARNUNG: Unsachgemäßer Anschluss des Erdungsleiters kann zu Stromschlag führen. Konsultieren Sie einen Elektriker oder eine Wartungsperson, falls Sie sich nicht sicher sind, ob der Anschluss ordnungsgemäß geerdet ist. Nehmen Sie keine Änderungen am mit dem Produkt gelieferten Stecker vor - falls dieser nicht in die Steckdose passt, lassen Sie einen qualifizierten Elektriker einen entsprechenden Stecker montieren.



Dieses Produkt wurde ausschließlich zur Verwendung an einem nominalen 230 V-Stromnetz entwickelt und ist mit einem Schukostecker ähnlich einem der Stecker auf Abb. 1 ausgerüstet. Stellen Sie sicher, dass das Produkt an einer Stromquelle angeschlossen ist, die über die gleiche Konfiguration verfügt, wie der Stecker selbst. Verwenden Sie keinen Adapter mit diesem Produkt.

Die Maschine muss elektrisch geerdet werden, um den Bediener vor Stromschlag zu schützen. Die Maschine verfügt über ein Stromkabel mit zwei Hauptleitern und einem Erdungsleiter. Schließen Sie den Stecker an eine passende Steckdose an. Der grüne bzw. grün-gelbe Leiter im Kabel ist der Erdungsdraht. Schließen Sie diesen Draht nie an einen anderen Kontakt als den Erdungskontakt an.

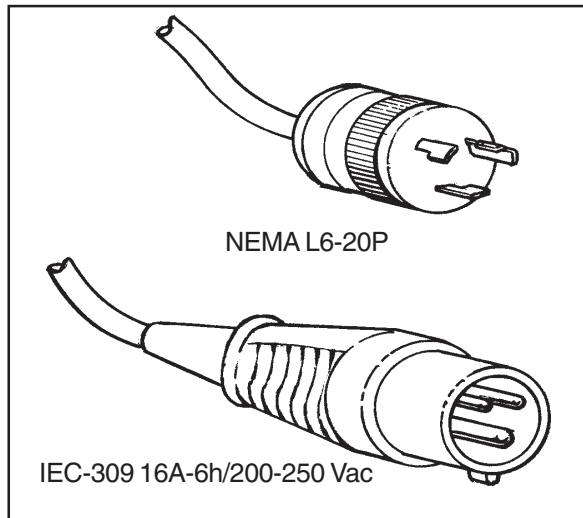


Abbildung 1

⚠ WARNUNG: Um die Gefahr eines Stromschlages zu verringern, verwenden Sie die Maschine ausschließlich an einem dreiadrigen Wechselstromnetz, das elektrisch geerdet ist. Ersetzen Sie alle abgenutzten, beschädigten oder defekten Kabel. Ersetzen Sie alle beschädigten Stecker, Steckdosen oder Steckergehäuse. Bewegen Sie die Maschine niemals über ein elektrisches Kabel. Heben Sie das Stromkabel immer über die Maschine.



Verlängerungskabel

Benutzen Sie ausschließlich ein zugelassenes Dreistift-Verlängerungskabel mit zwei Hauptleitern und einem Erdungsleiter. Diese Maschine ist mit einem Stromkabel mit Drahtdurchmesser 12 AWG bzw. 2,5 mm² ausgerüstet.

⚠ WARNUNG: Um Motorenbrände bei der Verwendung eines Verlängerungskabels zu vermeiden, benutzen Sie ein Verlängerungskabel mit einem minimalem Drahtdurchmesser von 10 AWG bzw. 4,0 mm². Benutzen Sie keine Verlängerungskabel von mehr als 15 m Länge. Verwenden Sie keinesfalls zwei Verlängerungskabel gleichzeitig.

⚠ WARNUNG: Um Stromschläge zu vermeiden, darf der Erdungskontakt keinesfalls geschnitten, entfernt oder beschädigt werden. Versuchen Sie nicht, einen dreiadrigen Stecker in eine Steckdose oder einen Anschluss zu stecken, in die er nicht passt. Sollte der Stecker nicht in die Steckdose oder den Anschluss passen, konsultieren Sie einen autorisierten Clarke American Sanders-Vertreter, um eine befugte Person zu finden, die dieses Problem beheben kann.



Demontage/Transport der Maschine

Gehen Sie wie folgt vor, um die Maschine zu demontieren:

1. Trennen Sie die Maschine vom Stromnetz und wickeln Sie das Kabel auf.

⚠️ WARNUNG: Wenn die Maschine bei der Wartung, dem Auswechseln des Schleifmaterials oder dem Entleeren des Staubsacks am Stromnetz angeschlossen bleibt, kann dies zu Verletzungen des Bedienungspersonals oder unbeteiligter Personen führen.

2. Ziehen Sie das Strom- und Motorenkabel ab und trennen Sie die Saugereinheit vom Elektroanschluss.
3. Trennen Sie den Saugschlauch von der Schleifeinheit.
4. Entfernen Sie beide Handnoppen von der Schleifeinheit und trennen Sie die Schleifeinheit vom Wagenrahmen (siehe Abbildung 2).

⚠️ WARNUNG: Die Schleifeinheit ist schwer (50 kg). Um Verletzungen des Bedienungspersonals bzw. Beschädigung der Maschine zu vermeiden, ist diese mit einem festem Griff und der richtigen Hebemethode anzuheben. Ziehen Sie wenn nötig Hilfe hinzu.



5. Greifen Sie das Gerät an den Hebegriffen, um die Schleifeinheit anzuheben (siehe Abbildung 3).
6. Lösen Sie das Stromkabel der Saugereinheit von den Klammern am Handgriff und stecken Sie es in den Vakuumkopf.
7. Lösen Sie die Riemen der Saugereinheit, indem Sie die Zugsperröffnung öffnen. Dadurch lockert sich der entsprechende Riemen und die Saugereinheit kann vom Wagenrahmen gehoben werden (siehe Abbildung 4).
8. Der Griff kann durch Lösen der vier 5/16-18 Stellschrauben und Muttern, durch die dieser am Wagenrahmen montiert ist, entfernt werden.
9. Sichern Sie alle Elemente im Cargobereich, um Transportschäden an der Maschine zu vermeiden.

Bewegen der Maschine (von Raum zu Raum)

Zum Bewegen der Maschine (von Raum zu Raum) kann diese zurückgeneigt werden, bis die 10 cm-Kippräder den Boden berühren. Mit gleichmäßigem Druck auf den Griff kann die Maschine nun an die gewünschte Stelle geschoben werden (siehe Abbildung 5).

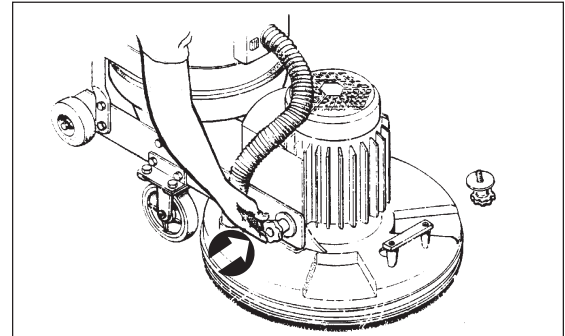


Abbildung 2

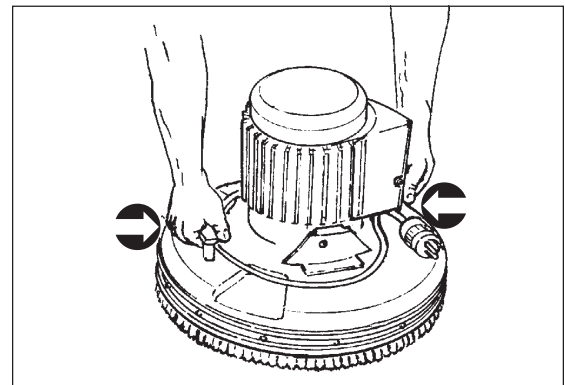


Abbildung 3

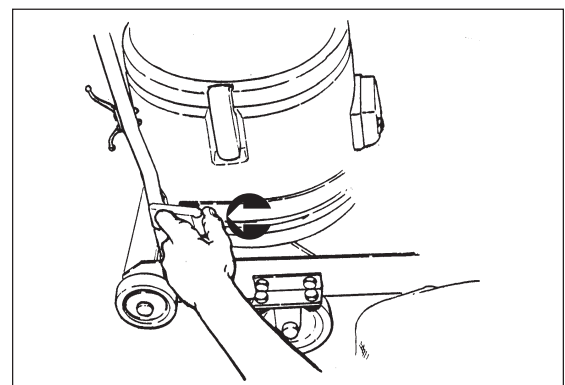


Abbildung 4

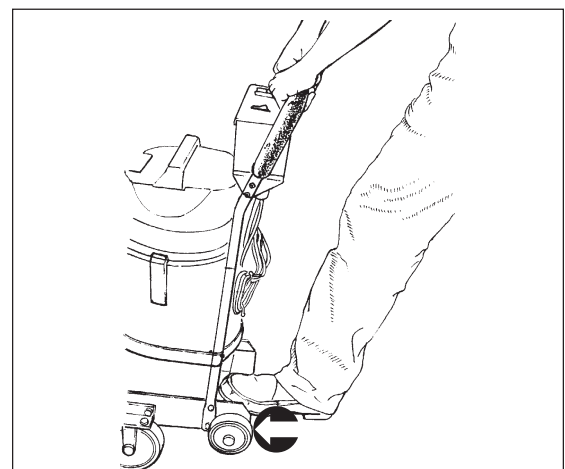


Abbildung 5

Montage der Maschine

Nachfolgend werden die zur Montage der Maschine benötigten Werkzeuge aufgeführt: 1 - #2 Kreuzschraubenzieher 2 - 12 mm Gabelschlüssel oder (2) verstellbare Gabelschlüssel.

Bereiten Sie die Maschine wie folgt zum Einsatz vor:

1. Nehmen Sie sämtliche Maschinenbestandteile aus der Verpackung und prüfen Sie diese auf defekte oder fehlende Teile.
2. Studieren Sie das Bedienungs- und Einzelteil-Handbuch, einschließlich aller Gefahren-, Warn- und Sicherheitshinweise, bevor Sie die Maschine in Betrieb nehmen. Sind Sie oder ist Ihr Bedienungspersonal nicht in der Lage, dieses Handbuch in englischer Sprache zu lesen, sorgen Sie dafür, dass es allen Beteiligten eingehend erklärt wird, bevor die Maschine in Betrieb genommen wird.
3. Montieren Sie die Schleifeinheit am Wagenrahmen, indem Sie die zwei Handknöpfe durch den Rahmen an der Schleifeinheit befestigen (siehe Abbildung 6). Verwenden Sie dabei die Exzenter am Wagenrahmen, um die Schleifeinheit ordnungsgemäß am Wagenrahmen auszurichten. Richten Sie die Haken auf den Distanzscheiben mit denjenigen auf dem Rahmen aus: eines rechts, zwei links.
4. Führen Sie das Stromkabel des Motors unter dem Vakuumpkopfriemen und den Stützriemen der Saugereinheit durch und dann über die Kippleiste.
5. Montieren Sie die Handgriffbaugruppe mit Hilfe der vier mitgelieferten 5/16-18 Stellschrauben und Nyloc-Muttern am Wagenrahmen und stecken Sie das Stromkabel des Motors ein (siehe Abbildung 7). Ziehen Sie die Schrauben und Muttern zur Montage der Kippräder fest und befestigen Sie das Stützgestell der Saugereinheit gemäß den Anweisungen in Abbildung 7.
6. Stülpen Sie den Dacron-Filter über den Tuchfilter (siehe Abbildung 8).
7. Setzen Sie die Trockensaugereinheit auf das Stützgestell, so dass die Mitte des Geräteunterteils in die 5 cm große Öffnung passt. HINWEIS: Der Anschluss des Saugschlauchs sollte gegen den Motor der Schleifeinheit zeigen. Befestigen Sie das Stützgestell um die Basis der Saugereinheit (siehe Abbildung 9).
8. Ein optionaler Einweg-Papiersack wird mitgeliefert. Falls Sie den Papiersack verwenden wollen, entfernen Sie die Oberseite der Saugereinheit und installieren Sie einen Papierstaub-Kontrollbeutel, indem Sie den Deflektor in den Montageschuh des Papiersacks einsetzen. Stellen Sie sicher, dass der Sack richtig im Deflektor sitzt, indem Sie prüfen, dass die Gummidichtung richtig in der Kerbe des Deflektors sitzt (siehe Abbildung 10). HINWEIS: Stellen Sie nach dem Transport stets sicher, dass der Papiersack richtig sitzt, um Staub im Tank zu verhindern.
9. Wickeln Sie das Kabel der Saugereinheit um die Haken an der Rückseite des Handgriffs. Lassen Sie dabei genug Kabel frei, um dieses in den Elektroanschluss zu stecken. Stellen Sie den Hauptschalter auf "EIN". Dieser sollte in der "EIN" Position bleiben (siehe Abbildung 11 unten).

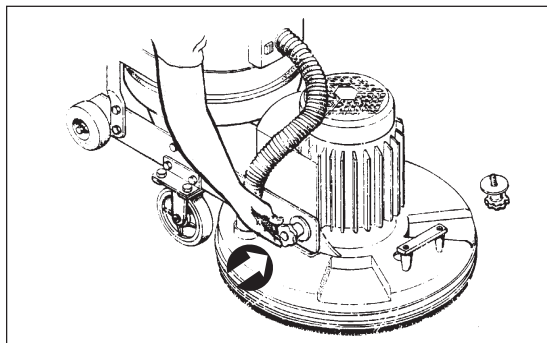


Abbildung 6

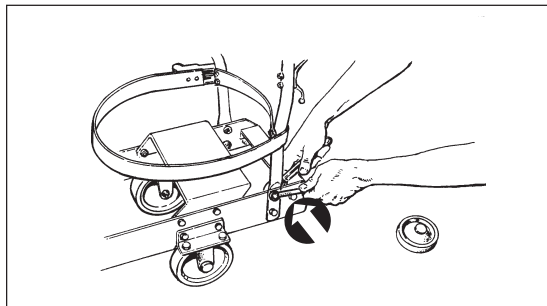


Abbildung 7



Abbildung 8

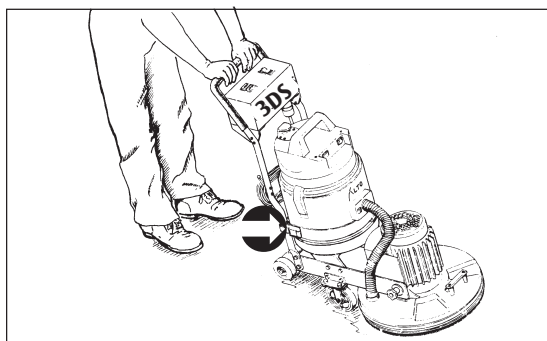


Abbildung 9

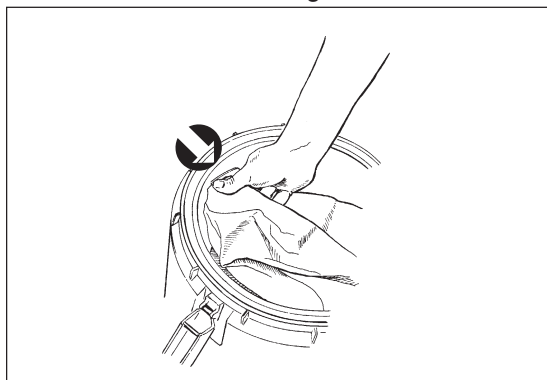


Abbildung 10

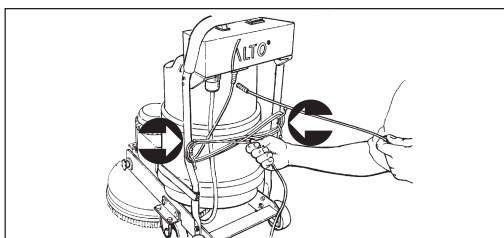


Abbildung 11

Montage der Maschine (Forts.)

⚠️ WARNUNG: Sollte die Maschine beim Auswechseln des Schleifmaterials kippen oder umfallen, kann dies zu Verletzungen des Bedienungspersonals oder unbeteiligter Personen führen.

⚠️ WARNUNG: Die Maschine darf nie in gekippter Position in Betrieb genommen werden. Wird die Maschine gestartet, während das Schleifmaterial ausgewechselt wird, kann dies zu schweren Verletzungen führen.

⚠️ VORSICHT: Ein Fall der Maschine aus gekippter Position kann zu Schäden des Schleifkopfs führen.

⚠️ VORSICHT: Der Betrieb der Maschine ohne Sandpapier, Draht-Schleifmaterial oder Pad kann zu Schäden am Padtreiber führen. Die Verwendung von Pads mit weniger als 3 mm Profil kann zu Schäden am Padtreiber führen.

10. Installieren oder ersetzen Sie das Schleifpapier bzw. das Draht-Schleifmaterial und den Pad. Sandpapier, Draht-Schleifmaterial oder Pad müssen ersetzt werden, falls sie Risse aufweisen, abgenutzt oder stumpf sind. Der Pad sollte ersetzt werden, wenn er weniger als 3 mm Profil aufweist. Gehen Sie zum Installieren oder Ersetzen des Schleifpapiers, des Draht-Schleifmaterials oder des Pads wie folgt vor (siehe Abbildung 12):

⚠️ GEFAHR: Schalten Sie die Stromversorgung aus. Wenn die Maschine beim Auswechseln des Schleifmaterials oder Pads bzw. dem Entleeren des Staubsacks am Stromnetz angeschlossen bleibt, besteht Stromschlaggefahr.



- a.) Trennen Sie die Maschine vom Stromnetz und räumen Sie das Stromkabel aus dem Weg.
- b.) Kippen Sie die Maschine, indem Sie mit einem Fuß auf die Kippleiste und mit Ihren Händen auf dem Griff nach unten drücken (siehe Abbildung 13).
- c.) Nehmen Sie den Fuß von der Kippleiste und drücken Sie mit dem Griff weiterhin nach unten, bis die Maschine aufrecht auf dem Griff und den Kipprädern gestützt bleibt (siehe Abbildung 14).
- d.) Stehen Sie zum Entfernen des Papiers bzw. des Draht-Schleifmaterials/ des Pads seitwärts neben der Maschine und ziehen Sie diese von einer Seite weg. Eventuell ist das Draht-Schleifmaterial mit einer Kunststoff-Reißzwecke in der Mitte befestigt, die entfernt werden muss, bevor sich diese entfernen lässt (siehe Abbildung 15).
- e.) Mitten Sie das neue Papier bzw. das Draht-Schleifmaterial/ den Pad über dem Padtreiber ein und drücken Sie dagegen, bis diese in die Treiberhaken einrasten.

⚠️ WARNUNG: Die Maschine ist schwer. Halten Sie andere von der Maschine fern - es besteht Verletzungsgefahr durch mögliches Kippen oder Fallen. Beim Ersetzen des Pads oder Auswechseln des Schleifpapiers ist beim Kippen der Maschine Vorsicht geboten. Es besteht Verletzungsgefahr für Bedienungspersonal oder unbeteiligte Personen.

- f.) Bringen Sie die Maschine wieder in die aufrechte Position, indem Sie dahinter stehen und diese vom Boden heben, bis die Rollfüße den Boden berühren. Drücken Sie mit einem Fuß auf die Kippleiste und lassen Sie das Schleifgerät vorsichtig auf den Boden gleiten.

11. Schließen Sie den Saugschlauch am Schleifgerät und an der Saugeneinheit an.

12. Schließen Sie das Stromkabel an den Elektroanschluss an.

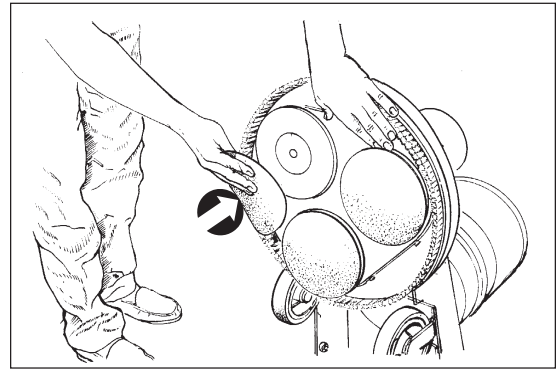


Abbildung 12

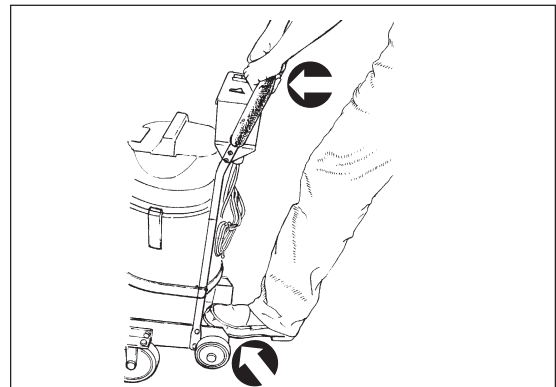


Abbildung 13

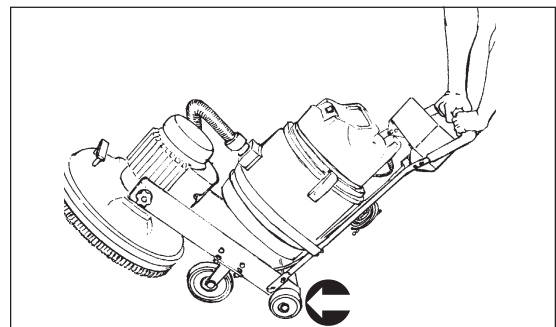


Abbildung 14

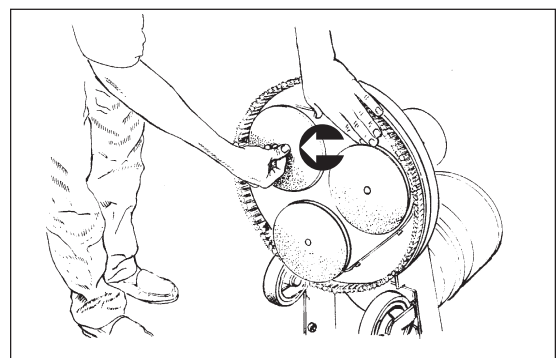


Abbildung 15

Bedienungsanweisungen - Schleifen

Nehmen Sie die Maschine wie folgt in Betrieb:

1. Bringen Sie die Maschine zum Arbeitsbereich. Gehen Sie beim Schleifen des Bodens so vor, das Sie sich von der Stromquelle entfernen. So wird verhindert, dass Sie das Stromkabel beschädigen und dieses immer wieder aus dem Weg räumen müssen.

HINWEIS: Für Schleifschliffe und Schleifpapier, siehe Seite 13.



WARNUNG: Wenn die Maschine beim Installieren bzw. Auswechseln des Schleifmaterials am Stromnetz angeschlossen bleibt, besteht Verletzungsgefahr. Vor der Installation von Schleifmaterial ist die Maschine vom Stromnetz zu trennen.

2. Installieren Sie das Schleifmaterial. Gehen Sie zum Installieren des Sandpapiers bzw. des Draht-Schleifmaterials / Pads anhand den Anweisungen im Abschnitt MONTAGE DER MASCHINE vor (siehe Seite 5).



GEFAHR: Bei Verwendung der Maschine an einem ungerdeteten Stromkreis besteht Stromschlaggefahr. Verwenden Sie stets ein dreipoliges, geerdetes elektrisches System. Entfernen bzw. deaktivieren Sie keinesfalls den Erdungsleiter des Stromkabels. Konsultieren Sie bitte einen Elektriker, falls der Erdungsleiter nicht vorhanden ist bzw. falls Sie vermuten, dass der Stromkreis nicht richtig geerdet ist.



3. Lösen Sie den Vakuumkopf, bis der Kunststofffuß den Hauptrahmen nicht mehr berührt (siehe Abbildung 16). Ziehen Sie dann an, bis der Kunststofffuß den Hauptrahmen berührt. Passen Sie den Druck während dem Betrieb der Maschine an (mehr/weniger), bis Sie den gewünschten Schleifgrad erreichen.
4. Schließen Sie das Stromkabel der Maschine an eine entsprechend geerdete und mit einer Sicherung versehene Stromquelle an.
5. Stellen Sie sich hinter den Griff, schalten Sie den Kippschalter auf "Automatisch" und drücken sie die grüne Starttaste. Durch Drücken der roten Stopptaste wird die Maschine ausgeschaltet (siehe Abbildung 17).

VORSICHT: Um Bodenschäden zu vermeiden und Hitzeentwicklung zu verringern, ist die Maschine bei eingeschaltetem Motor stets in Bewegung zu halten.

6. Bei Betrieb muss die Maschine vom Bedienungspersonal stets bewegt werden. Beim Abschleifen von Böden kann die Maschine vom Bedienungspersonal beliebig bewegt werden.

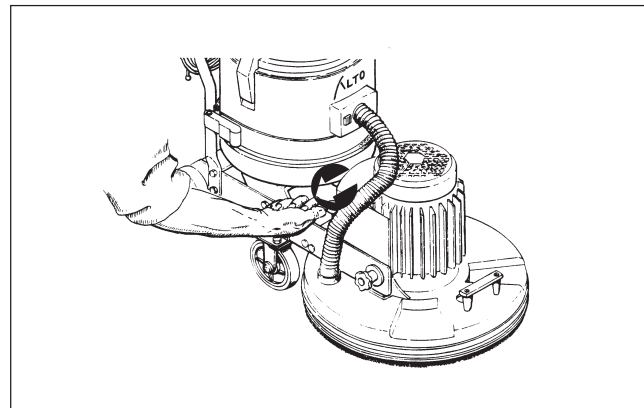


Abbildung 16

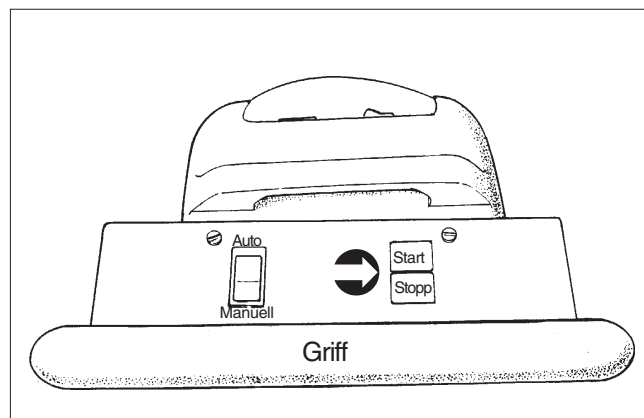


Abbildung 17

Wartung

Wartung durch den Benutzer:

Papiersäcke sind nach minimal 3 Betriebsstunden zu ersetzen. Bei schweren Schleifarbeiten oder weichen Holzarten muss der Papiersack eventuell häufiger ersetzt werden. **HINWEIS:** Vor dem Ersetzen der Papiersäcke muss die Maschine ausgesaugt werden, um sämtlichen Staub zu entfernen und der Tuchfilter von angesammeltem Staub befreit werden. **(Siehe DTV-7 Bedienungsanweisungen für Hinweise zum Reinigen des Tuchfilters).**

Beim Auswechseln des Schleifpapiers oder des Draht-Schleifmaterials sollte der Schaum und das Doppelschloss-Klettband an den Schleifpads auf Abscheuerungen, Abnutzung oder Schäden geprüft werden.

Service-Wartung:

Die 3DS-Schleifmaschine muss alle **600 Betriebsstunden** gewartet werden. **Wenden Sie sich zwecks Wartung an ein zugelassenes Alto Servicecenter bzw. eine entsprechend befugte Person.** (Servicecenter sind auf dem inneren Deckblatt der Bedienungsanleitung aufgelistet).

In einer entsprechenden Wartung sollte wie folgt vorgegangen werden:

1. Bürsten und Kommutator im Vakuummotor prüfen und/oder auswechseln (**siehe separates Bedienungshandbuch**).
2. Gummidichtungen auf den Schleifpads auf Abnutzung prüfen und ggf. ersetzen.
3. Schaum auf den Schleifpads auf Abnutzung prüfen und ggf. ersetzen.
4. Treibermechanismen auf Abnutzungserscheinungen prüfen, d.h. Riemen, Rollen, Motorwelle.
5. Angesammelten Staub aus dem Motor der Saugeinheit blasen.
6. Tuchfilter der Saugeinheit reinigen.

Zudem sollten die folgenden Wartungsarbeiten durchgeführt werden:

1. Nach **1500 Stunden: Antriebsriemen** sollte **ersetzt** werden.
2. Nach **3000 Stunden: Lager** auf den Zahnriemenrädern sollten **ersetzt** werden.

Fehlersuche

Problem	Ursache	Maßnahme
Motor startet nicht.	Kein Strom. Defekter Schalter/ schlechte Verbindung.	Stromquelle und Anschlüsse überprüfen Zugelassenen Händler kontaktieren.
Motor startet nicht/ läuft schleppend.	Schwache Spannung aufgrund zu langem oder zu kurzem Verlängerungskabel. Defekter Startkondensator. Defekter Startschalter. Defekter Start-/Betriebskondensator. Defekter Motor, schwache Spannung.	12 Ga. Verlängerungskabel, nicht länger als 12 m. Zugelassenen Händler kontaktieren. Zugelassenen Händler kontaktieren. Zugelassenen Händler kontaktieren. Zugelassenen Händler kontaktieren.
Sicherung brennt durch/ Ausschalter verwenden.	Schwache Spannung. Schlechte Verbindung. Defekter Motor.	Kein Verlängerungskabel setzt wiederholt ein . Eine Steckdose suchen, die nicht so weit vom Arbeitsbereich entfernt ist. Spannung durch qualifizierten Elektriker prüfen lassen. Zugelassenen Händler kontaktieren. Zugelassenen Händler kontaktieren.
Maschine "springt" während Betrieb.	Vakuumkopf nicht richtig angepasst. Schlechter/abgenutzter Schleifpad. Ungleichmäßiger Pad. Schleifpapier/ Draht-Schleifmaterial oder nicht richtig installiert.	Vakuumkopf entsprechend anpassen. Defekten Pad ersetzen. Entsprechenden Pad ersetzen. Schleifpapier/ Draht-Schleifmaterial ersetzen gerissen, abgenutzt Defektes bzw. richtig installieren.
Maschine zieht nach rechts.	Vakuumkopf zu hoch eingestellt.	Vakuumkopf lösen. siehe Abbildung. 17, Seite 8
Maschine hält Staub nicht ordnungsgemäß.	Staubsack ist voll oder nicht richtig in Saugeneinheit eingesetzt ersetzen. Tuchfilter verstopft.	Papiersack im Einlasstrichter und schließt nicht um Vakuumtrichter. Tuchfilter entfernen und mit Hilfe von Hochdruckwasser reinigen.
Maschine zieht nach hinten.	Ekzenterdichtungen an Handgriffen nicht richtig eingestellt.	Ekzenter an "Häkchen" auf Rahmen mit Ekzenterbohrungen gegen Vorderseite der Maschine ausrichten. HINWEIS: Nach Anpassung sollten beide Rollen mit dem gleichen Druck drehen.

Schleifschliffe und Schleifpapier

ALLGEMEINES SCHLEIFEN

Da die Maschine über ein zufälliges Schleifmuster verfügt, sind alle Bewegungsrichtungen erlaubt. Es wird jedoch empfohlen, die Maschine beim Betrieb stets in Bewegung zu halten. Ein allgemeines Schleifmuster besteht auch aus Vor- und Zurückbewegungen mit halber Rückbewegung.

ERSTER GROBSCHLIFF

Zweck des Grobschliffes ist es, altes Finish und grobe Unebenheiten sowie Schleifriefen von Bändern/Walzen in der Bodenoberfläche zu entfernen. Benutzen Sie ein feines Schleifmaterial (Körnung 40–60). In extremen Fällen ist Schleifmaterial mit Körnung 36 zu verwenden.

FEINSCHLIFFE

Der Zweck eines Feinschliffes besteht darin, Kratzer zu beseitigen, die während des Grob-/Kantenschliffs entstanden sind. Benutzen Sie hierzu ein feines Schleifmaterial (Körnung 80-100).

Ist die Oberfläche nach dem Feinschliff immer noch rau, ist es u. U. erforderlich, ein noch feineres Schleifband oder ein Draht-Schleifmaterial zu benutzen. Der mit Draht-Schleifmaterial verwendete Pad kann auch mit feinem Schleifpapier verwendet werden, um das gewünschte Finish zu erhalten. Bei der Auswahl der Körnung des Schleifbandes ist mit Vorsicht vorzugehen. Eine sehr feine Körnung wird die Poren eines Holzfußbodens schließen und ein anschließendes Beizen erschweren.

Sollten Blankstoßungen oder Verbrennungen auftreten, ist das Schleifmaterial abgenutzt und muss ersetzt werden.

HINWEIS: Diese Maschine wurde für den Feinschliff entwickelt. Für spezielle Anwendungen kann jedoch Schleifpapier mit Körnung 36 und 40 verwendet werden.

MASERUNG	EINSATZ	Teil-Nr.
Körnung 36	Zum Entfernen grober Unebenheiten und Ebnung alter Böden. Zum Entfernen von Farb- und Lackschichten sowie zum ersten Grobschleifen neuer Böden.	945630
Körnung 40	Zum ersten Grobschleifen neuer Böden (Ahorn, Eiche). Zum Entfernen geringfügiger Mängel und Finishes alter Böden.	945361
<u>Körnung 60</u> Körnung 60	Zur Reinigung nach Grobschliff	945633
<u>Körnung 80</u> Körnung 80	Zum Feinschleifen bestimmter Hartholzarten. Zur Reinigung nach dem Schleifen (Körnung 60).	945634
<u>Körnung 100</u> Körnung 100	Zum Feinschleifen bestimmter Hartholz- und Nadelholzarten, wenn eine glatte Oberfläche erzielt werden soll.	945635

ZUBEHÖR

Teil-Nr.	Beschreibung
674114	Schlauch, Saugereinheit 3,8 cm X 10
682408	Vakuumschlauchadapter 3,8 cm
639804	Stab-Baugruppe, gebogen, 3,8 cm
638820	Werkzeug, Filz, beschlagen, 35 cm
638838	Werkzeug, Borsten, beschlagen, 38 cm

SCHLEIFPADS FÜR 3-SCHEIBEN-SCHLEIFGERÄT

Teil-Nr.	Beschreibung
945630	BX (25) 3M 20 cm Hookit-Scheibe #36
945631	BX (25) 3M 20 cm Hookit-Scheibe #40
945633	BX (25) 3M 20 cm Hookit-Scheibe #60
945634	BX (25) 3M 20 cm Hookit-Scheibe #80
945635	BX (25) 3M 20 cm Hookit-Scheibe #100

MESH-SCHEIBEN FÜR 3-SCHEIBEN-SCHLEIFGERÄT

Teil-Nr.	Beschreibung
945624	CS(40) 20 cm x 0,5 cm Mesh-Scheibe #60
945625	CS(40) 20 cm x 0,5 cm Mesh-Scheibe #80
945626	CS(40) 20 cm x 0,5 cm Mesh-Scheibe #100

SCHLEIFGERÄT FÜR 3-SCHEIBEN-SCHLEIFGERÄT

Teil-Nr.	Beschreibung
945610	Bx(40) 20 cm x 7 cm Kanten- Scheibenpad

LEA ESTE MANUAL

Este manual contiene información importante acerca del uso y la seguridad de la máquina. Si no lee el manual antes de utilizar su máquina Clarke American Sanders o de intentar realizar los procedimientos de reparación o mantenimiento de la misma, usted o el resto del personal podrían sufrir lesiones; asimismo, podrían producirse daños a la máquina o a otras propiedades. Antes de utilizar la máquina, es necesario recibir la capacitación adecuada en la operación de la misma. Si el operador de la máquina no sabe leer en español, explíquelo el manual exhaustivamente antes de que intente utilizarla.

Todas las indicaciones incluidas en este manual se ofrecen desde la posición del operador en la parte posterior de la máquina.

Si desea conseguir nuevos manuales, escriba a: Clarke®, 2100 Highway 265, Springdale, Arkansas 72764.

Índice del manual

Instrucciones de seguridad para el operador 31
 Explicación de los símbolos de peligro 32
 Introducción y especificaciones de la máquina 33
 Instrucciones sobre la conexión a la alimentación de 230 voltios 34
 Desmontaje/ Transporte de la máquina 35
 Instalación de la máquina 37
 Instrucciones de funcionamiento 38
 Mantenimiento 39
 Mantenimiento realizado por el usuario 39
 Mantenimiento de servicio 39
 Solución de problemas 40
 Cortes de lija y papel de lija 41
 Accesorios 42

Sección II Piezas y manual de servicio

Plano de montaje # 1 86
 Lista de piezas de montaje #1 87
 Plano de montaje # 2 88
 Lista de piezas de montaje #2 89
 Esquemas eléctricos 90

Español

Eliminación correcta de este producto (material eléctrico y electrónico de descarte)

(Aplicable en la Unión Europea y en países europeos con sistemas de recogida selectiva de residuos)



La presencia de esta marca en el producto o en el material informativo que lo acompaña, indica que al finalizar su vida útil no deberá eliminarse junto con otros residuos domésticos. Para evitar los posibles daños al medio ambiente o a la salud humana que representa la eliminación incontrolada de residuos, separe este producto de otros tipos de residuos y recíclolo correctamente para promover la reutilización sostenible de recursos materiales.

Los usuarios particulares pueden contactar con el establecimiento donde adquirieron el producto, o con las autoridades locales pertinentes, para informarse sobre cómo y dónde pueden llevarlo para que sea sometido a un reciclaje ecológico y seguro.


Los usuarios comerciales pueden contactar con su proveedor y consultar las condiciones del contrato de compra. Este producto no debe eliminarse mezclado con otros residuos comerciales.


INSTRUCCIONES DE SEGURIDAD PARA EL OPERADOR



PELIGRO significa: Usted u otras personas pueden estar expuestos a sufrir lesiones personales, inclusive la muerte si las indicaciones de **PELIGRO** que se encuentran en esta máquina o en el manual del operador se ignoran o no se tienen en cuenta. Lea y respete todas las indicaciones de **PELIGRO** que se encuentran en el manual del operador y en la máquina.



ADVERTENCIA significa: Usted u otras personas pueden estar expuestos a sufrir lesiones personales graves, si las indicaciones de **ADVERTENCIA** que se encuentran en esta máquina o en el manual del operador se ignoran o no se tienen en cuenta. Lea y respete todas las indicaciones de **ADVERTENCIA** que se encuentran en el manual del operador y en la máquina.



PRECAUCIÓN significa: Se pueden producir lesiones personales leves, daños materiales o daños a la máquina si las indicaciones de **PRECAUCIÓN** que se encuentran en la máquina o en el manual del operador se ignoran o no se tienen en cuenta. Lea y respete todas las indicaciones de **PRECAUCIÓN** que se encuentran en el manual del operador y en la máquina.



 **PELIGRO:** Si no lee el manual del operador antes de utilizar, reparar o realizar el mantenimiento de la máquina, el resultado puede ser que usted o el resto del personal sufra lesiones. Asimismo, pueden producirse daños a la máquina o a otras propiedades. Antes de utilizar la máquina, es necesario recibir la capacitación adecuada en la operación de la misma. **Si usted no sabe leer en inglés, pida que le expliquen el manual exhaustivamente antes de intentar utilizar esta máquina.**



 **PELIGRO:** Cuando se opera una máquina que no se encuentra completa o totalmente ensamblada, es posible que usted o el resto del personal sufran lesiones o que se produzcan daños materiales. No haga funcionar la máquina hasta que no esté completamente ensamblada. Mantenga todas las sujeciones apretadas. Mantenga los ajustes de acuerdo con las especificaciones de la máquina.



 **PELIGRO:**  Se pueden producir materiales explosivos, lesiones personales graves o la muerte. El lijado/acabado de pisos de madera puede crear un entorno explosivo o combustible. No utilice la máquina cerca de solventes, diluyentes, alcohol, combustibles, acabados de pisos, polvo de madera u otros materiales inflamables. Los vapores y el polvo de madera generados por las tareas de lijado o acabado de pisos de madera pueden crear un ambiente explosivo. Los encendedores, las lámparas indicadoras, las chispas eléctricas y cualquier otra fuente de ignición deben extinguirse o evitarse. Mantenga el área de trabajo bien ventilada.






 **PELIGRO:**  El polvo que se genera al lijar pisos de madera puede encenderse o explotar espontáneamente. Elimine rápidamente el polvo de lijado en un recipiente de metal que no contenga ningún combustible. No arroje el polvo al fuego.

 **PELIGRO:**  Puede producirse electrocución si se repara o se realiza el mantenimiento de la máquina mientras se encuentra conectada a una fuente de alimentación. Desconecte la fuente de alimentación antes de realizar tareas de mantenimiento y reparación. Siempre retire la conexión eléctrica de la fuente de alimentación antes de cambiar la almohadilla del cepillo u otro accesorio. Siempre desconecte la fuente de alimentación antes de abandonar la máquina.

 **PELIGRO:**  Si la máquina se utiliza con un cable de alimentación dañado podría producirse electrocución o un incendio. Mantenga el cable de alimentación separado de la almohadilla. Pase siempre el cable por encima de la máquina. No utilice el cable de alimentación para mover la máquina.

 **PELIGRO:**  Se puede producir electrocución si la máquina se utiliza en un circuito eléctrico sin puesta a tierra. Siempre use un sistema eléctrico de tres hilos conectado a tierra. Nunca retire ni anule el conductor de puesta a tierra del cable eléctrico. Consulte con un electricista si falta el conductor de puesta a tierra o si usted sospecha que el circuito no está adecuadamente puesto a tierra.

 **PELIGRO:**  Mantenga las manos, los pies y la vestimenta suelta alejados de todas las partes móviles de la máquina para evitar lesiones. Desconecte el cable de alimentación antes de reemplazar la almohadilla, cambiar el abrasivo o realizar mantenimiento o reparaciones. No haga funcionar la máquina a menos que la misma se encuentre en posición vertical y la unidad de lijado esté en contacto con el piso. Nunca deje la máquina sin vigilancia mientras está conectada a una fuente de alimentación.

-  **ADVERTENCIA:** Riesgo de descargas: Los componentes eléctricos de esta máquina pueden producir un cortocircuito si se los expone al agua o a la humedad. Mantenga secos los componentes eléctricos de la máquina. Limpie la máquina después de cada uso. Almacene la máquina en un lugar cubierto y seco.
-  **ADVERTENCIA:** Si no se utilizan el equipo o la vestimenta de protección adecuados mientras se realizan tareas de lijado, pueden producirse lesiones. Use anteojos de seguridad, vestimenta de protección y máscara antipolvo siempre que esté realizando tareas de lijado.
-  **ADVERTENCIA:** Todas las alteraciones o modificaciones realizadas a esta máquina pueden producir daños a la misma o lesiones al operador o a otras personas que se encuentren en el lugar. Las alteraciones o modificaciones no autorizadas por el fabricante anulan todas las garantías y responsabilidades.
-  **ADVERTENCIA:** La operación de una máquina sin respetar todas las etiquetas e instrucciones puede producir lesiones al operador o daños a la máquina. Lea todas las etiquetas de la máquina antes de intentar hacerla funcionar. Compruebe que todas las etiquetas y las instrucciones se encuentren unidas o sujetas a la máquina. Consiga etiquetas y calcomanías de repuesto a través del distribuidor autorizado.
-  **ADVERTENCIA:** La máquina es pesada. El operador u otros observadores pueden resultar heridos si no se emplean métodos adecuados de elevación. Solicite ayuda para levantar la máquina.



Explicación de los símbolos de peligro

Si no se lee el manual del operador se pueden producir lesiones al operador o daños a la máquina.



El símbolo de la llama muestra que el material se puede encender y quemar al operador.



El símbolo de un hombre atravesado por voltaje describe una situación de electrocución o descarga eléctrica. La misma puede causar la muerte o lesiones graves.



Este símbolo se refiere al peligro de partes en movimiento. Pueden producirse lesiones.



Este símbolo de una persona que usa anteojos de seguridad advierte sobre la posibilidad de lesiones a los ojos.



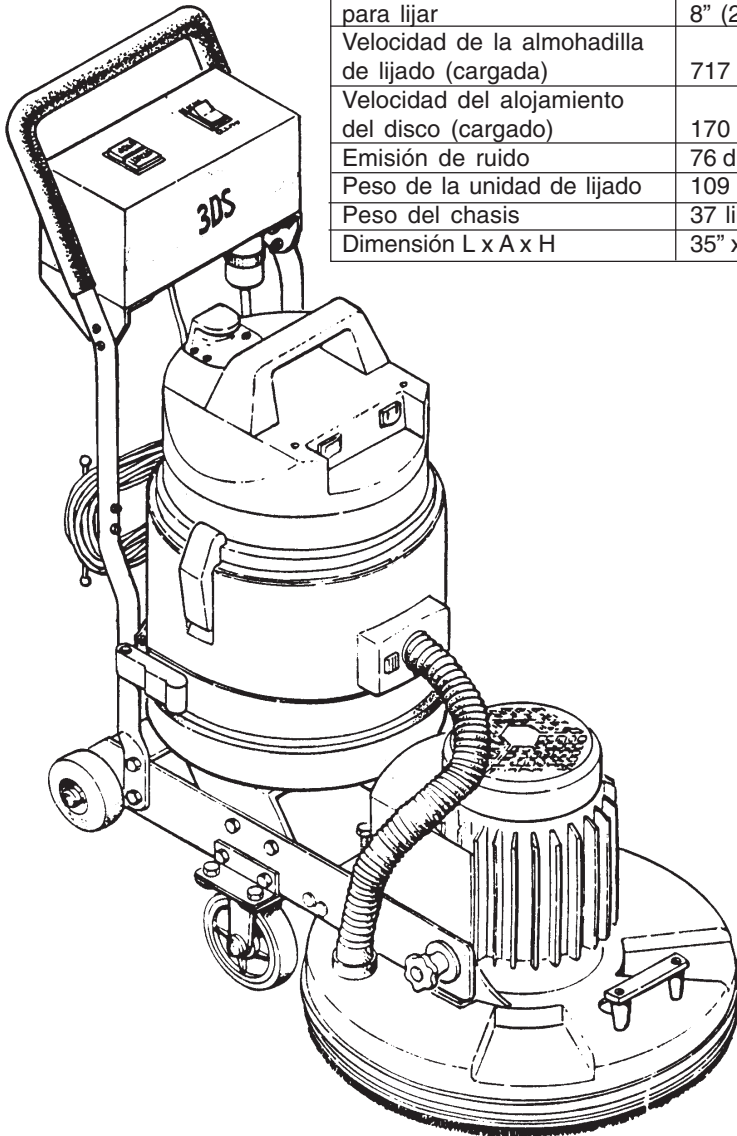
Este símbolo de un hombre que levanta un objeto muestra que se pueden producir lesiones si no se observan procedimientos de elevación adecuados.

Introducción y especificaciones de la máquina

La 3DS es una máquina principalmente diseñada para el lijado de acabado fino de pisos de madera dura. El proceso de lijado de acabado da como resultado un piso más suave y más alisado y lo ayuda a eliminar las imperfecciones que se generan durante el proceso de lijado con tambor o correa. Esta máquina no se puede usar sobre superficies húmedas.

ESPECIFICACIONES DEL PRODUCTO

Código de la máquina	07082C	07112A(UK)	07085C(EU)
Aspiradora	Equipada con aspiradora		
Peso	163 libras (74 kg)		
Peso del envío	234 libras (106 kg)		
Tipo de máquina	Lijado seco con 3 discos		
Motor	Monofásico de 3 cv	Monofásico 2.2 kW	
Voltaje	230v		
Frecuencia	60 Hz	50 Hz	
Cable de alimentación	40 pies, 12-3 SJO	15m HO7RN-F3G1.50	
Intensidad de corriente	11.5 A		
Protección de sobrecarga	Disyuntor de circuitos 15 A		
Clase de aislamiento de motor	F		
Diámetro de trabajo	18,75" (48 cm)		
Diámetro de la almohadilla para lijar	8" (203 mm)		
Velocidad de la almohadilla de lijado (cargada)	717 rpm		
Velocidad del alojamiento del disco (cargado)	170 rpm		
Emisión de ruido	76 dBA		
Peso de la unidad de lijado	109 libras (49 kg)		
Peso del chasis	37 libras (17 kg)		
Dimensión L x A x H	35" x 20" x 39,5" (88 x 51 x 100 cm)		



**Instrucciones de puesta a tierra
– 230 voltios**

**MÁQUINAS DE 230 VOLTIOS
INSTRUCCIONES PARA LA CONEXIÓN
A LA FUENTE DE ALIMENTACIÓN
Y A LA PUESTA A TIERRA**

⚠ PRECAUCIÓN: Para evitar daños a la máquina hágala funcionar únicamente en frecuencia CA y al voltaje eléctrico que se muestra en la placa de identificación. Asegúrese de contar con la frecuencia y la tensión correctas antes de conectar el cable de alimentación a un tomacorriente.

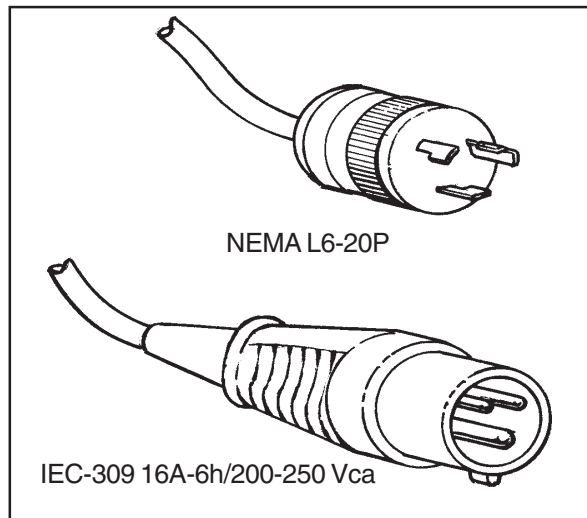
Este producto debe estar conectado a tierra. Si funcionase mal o sufriese una avería, la conexión a tierra brinda una ruta de menor resistencia para la corriente eléctrica, con lo que se reduce el riesgo de descargas eléctricas. Este producto está equipado con un cable que cuenta con un conductor para conexión a tierra del equipo y con un enchufe de conexión a tierra. El enchufe debe insertarse en un tomacorriente adecuado, que esté correctamente instalado y conectado a tierra según todos los códigos y regulaciones locales.

⚠ ADVERTENCIA: Una mala conexión del conductor de la toma de tierra del equipo puede resultar en un riesgo de descarga eléctrica. Consulte con un electricista acreditado o con el personal del servicio técnico en caso de tener dudas respecto de la conexión a tierra. No modifique el enchufe provisto con el aparato- si no cabe en el tomacorriente- indíquelo a un electricista calificado que le instale un tomacorriente adecuado.



Este producto se debe utilizar en un circuito de corriente nominal de 230 voltios y tiene un accesorio de puesta a tierra el cual se ve como uno de los enchufes que se muestran en la figura 1. Asegúrese de que el producto esté conectado a un tomacorriente que tenga la misma configuración que el enchufe. No se debe utilizar ningún adaptador con este producto.

Esta máquina se debe conectar a una tierra eléctrica para proteger al operador contra las descargas eléctricas. La máquina tiene un cable de alimentación con dos conductores principales y un conductor de tierra. Conecte el enchufe al receptáculo. El conductor verde o verde y amarillo del cable es el hilo de tierra. Nunca conecte este alambre a ningún terminal que no sea el terminal de tierra.



NEMA L6-20P

IEC-309 16A-6h/200-250 Vca

Figura 1

⚠ ADVERTENCIA: Para evitar descargas eléctricas siempre use esta máquina con un sistema eléctrico de tres conductores de CA conectado a tierra. Reemplace cualquier cable que esté gastado, cortado o dañado. Reemplace cualquier enchufe, receptáculo o cuerpo de conector que esté dañado. No mueva la máquina sobre un cable de alimentación. Pase siempre el cable por encima de la máquina.



CABLES DE EXTENSIÓN

Utilice únicamente un cable alargador con dos conductores principales y un conductor de conexión a tierra. La máquina tiene un cable de alimentación con medida de alambre 12 AWG ó 2,5 mm².

⚠ ADVERTENCIA: Para evitar que se queme el motor, si usa un cable prolongador, utilice uno con una medida mínima de alambre igual a 10 AWG ó 4,0 mm². No utilice cables de extensión con una longitud superior a los 40 pies o 15 metros. No una dos cables de extensión.

⚠ ADVERTENCIA: Para evitar descargas eléctricas, no corte, elimine ni rompa el terminal de tierra. No intente colocar un enchufe de tres terminales en un receptáculo o cuerpo de conector que no se adapte al enchufe. Si el receptáculo o cuerpo del conector no se adapta al enchufe, vea al distribuidor Clarke American Sanders para que una persona autorizada realice la conexión.



Desmontaje/ Transporte de la máquina

Para desmontar la máquina siga este procedimiento:

1. Desenchufe la máquina de la pared y enrolle el cable.

⚠ ADVERTENCIA: Se pueden producir lesiones al operador o a los observadores si la fuente de alimentación permanece conectada cuando se realizan reparaciones al equipo, se cambia el abrasivo o se vacía la bolsa de polvo.

2. Desenchufe el cable de alimentación, el cable del motor y la aspiradora de la caja eléctrica.
3. Desconecte la manguera de aspiración de la unidad de lijado.
4. Retire las dos perillas manuales de la unidad de lijado y separe la unidad de lijado del bastidor del camión. (Vea la Figura 2)

⚠ ADVERTENCIA: La unidad de lijado es pesada (109 libras). Para evitar lesiones al operador o daños a la máquina utilice una técnica adecuada de sujeción y elevación. De ser necesario, solicite ayuda.



5. Para levantar la unidad de lijado sujete el conjunto en los puntos de elevación. (Vea la Figura 3)
6. Desenrolle el cable de alimentación de la aspiradora de las abrazaderas de la manija y colóquelo sobre el cabezal de aspiración.
7. Desconecte las tiras de aspiración rebatiendo el seguro móvil. La tira de la aspiradora se retraerá y se podrá retirar la aspiradora levantándola fuera del bastidor del camión. (Consulte la Figura 4)
8. Se puede retirar la manija quitando los cuatro pernos y tuercas de 5/16-18 que la sujetan al bastidor del camión.
9. Sujete todos los elementos en el área de carga durante el transporte para evitar daños a la máquina.

Cómo mover la máquina (de una sala a otra)

Al desplazar la máquina en distancias cortas (de una sala a otra) se la puede mover inclinándola hacia atrás hasta que las ruedas de 4" de diámetro quedan en contacto con el piso. Con una presión constante sobre la manija, hacia abajo, se puede empujar la máquina hasta la ubicación deseada. (Consulte la Figura 5)

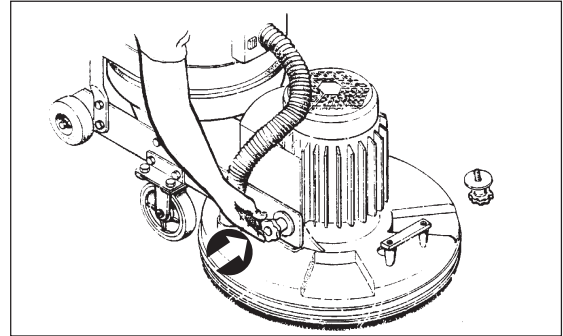


Figura 2

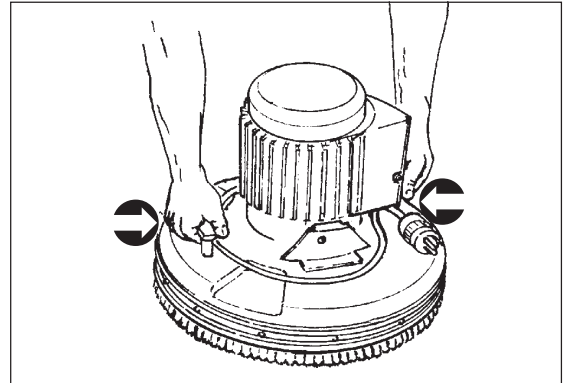


Figura 3

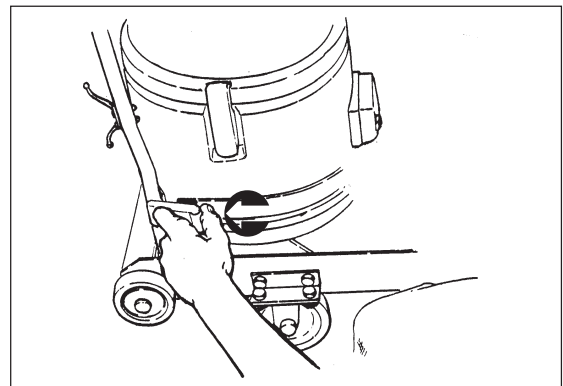


Figura 4

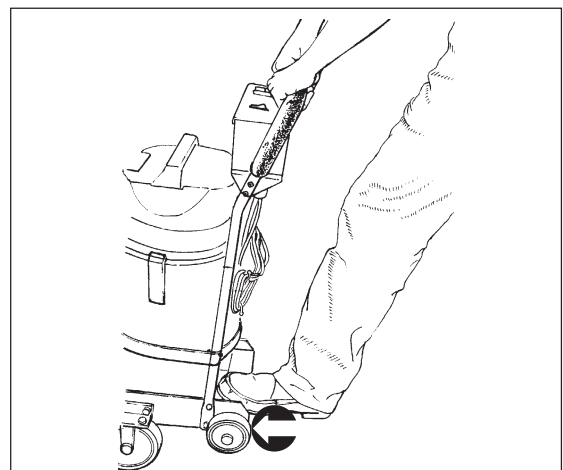


Figura 5

Instalación de la máquina

A continuación se enumeran las herramientas necesarias para instalar la máquina:

- 1 – destornillador Phillips #2
- 2 – llaves de extremo abierto de ½" ó (2) llaves ajustables.

Si desea preparar la máquina para su uso, siga este procedimiento:

1. Retire todos los componentes de la máquina de su embalaje y verifique si hay piezas dañadas o faltantes.
2. Lea el Manual de Instrucciones y Piezas, incluidas todas las indicaciones de peligro, advertencia y precaución, antes de utilizar la máquina. Si usted o el operador de la máquina no pueden leer en el idioma en que está impreso este manual, haga que otra persona se lo explique exhaustivamente antes de intentar utilizarla.
3. Acople la unidad de lijado al bastidor del camión ajustando las dos perillas manuales a través del bastidor del camión con la unidad de lijado. (Consulte la Figura 6). La excéntrica del bastidor del camión se debe usar para la alineación adecuada entre el bastidor del camión y la unidad de lijado. Empalme las marcas de los espaciadores y el bastidor; una a la derecha y dos a la izquierda.
4. Inserte el cable de alimentación del motor debajo de la tira de presión del cabezal y de la tira de soporte de la aspiradora, luego por encima de la tira de asistencia para la inclinación.
5. Sujete el montaje de la manija al bastidor del camión atornillándolo con los cuatro pernos de 5/16-18 y las tuercas Nyloc provistas y el enchufe del cable de alimentación del motor. (vea la Figura 7). Apriete las tuercas que sujetan las ruedas de inclinación y una las tiras de soporte de la aspiradora según se muestra en la Figura 7.
6. Coloque filtro de Dacron alrededor del filtro de tela. (Consulte la Figura 8)
7. Coloque la aspiradora de limpieza en seco sobre las tiras de soporte de la aspiradora con el centro del fondo en el orificio de 2" de diámetro. NOTA: El puerto de la manguera de aspiración debe estar de cara al motor de la unidad de lijado. Sujete la tira de la aspiradora alrededor de la base de la misma. (Consulte la Figura 9)
8. Hay una bolsa de papel desechable opcional. Si desea usar la bolsa de papel, retire el cabezal de aspiración e instale una bolsa de papel para el control del polvo, insertando el deflector de la aspiradora dentro de la zapata de montaje de la bolsa de papel. Para asegurar que la bolsa esté adecuadamente asentada sobre el deflector, el sello de goma debe estar apoyado en la ranura del deflector (Vea la Figura 10). NOTA: Verifique que la bolsa de papel esté adecuadamente asentada después del transporte, para evitar que se acumule polvo en el tanque de aspiración.
9. Enrolle el cable de la aspiradora alrededor de las abrazaderas ubicadas en la parte posterior de la manija. Deje holgura suficiente en el cable para poder enchufarlo en la caja eléctrica. Gire el interruptor de la aspiradora a la posición "ON" (encendido). El interruptor de la aspiradora se debe mantener en la posición "ON". (Consulte la Figura 11 más abajo)

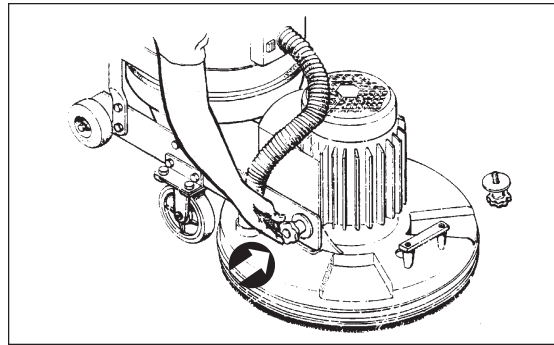


Figura 6

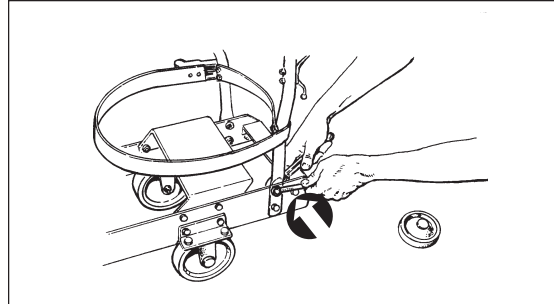


Figura 7



Figura 8

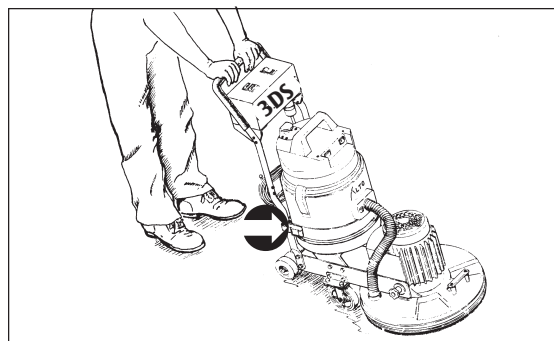


Figura 9

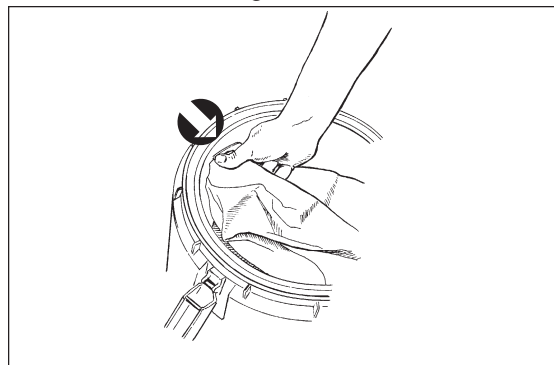


Figura 10

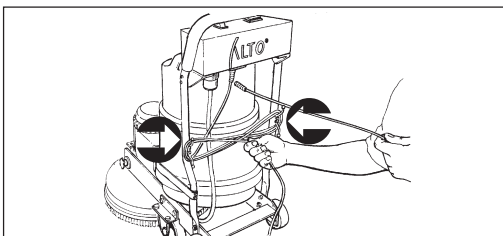


Figura 11

Instalación de la máquina

ADVERTENCIA: Se pueden producir lesiones al operador o a los observadores si la máquina se inclina o cae mientras se reemplaza la almohadilla o se cambia el abrasivo.

ADVERTENCIA: Nunca permita que la máquina arranque mientras está inclinada. Se podrían producir lesiones graves si la máquina arranca mientras se cambia el abrasivo.

PRECAUCIÓN: Se producirán daños al cabezal de lijado si se deja caer la unidad libremente desde la posición inclinada.

PRECAUCIÓN: Se producirán daños al impulsor de la almohadilla si la máquina se utiliza sin papel de lija o sin tela metálica y almohadilla. También se pueden producir daños al impulsor de la almohadilla si la almohadilla tiene un espesor inferior a 1/8".

10. Instale o reemplace el papel de lija o la tela metálica y la almohadilla. El papel de lija, la tela metálica y la almohadilla se deben reemplazar si presentan grietas o si se han desgastado y desafilado. La almohadilla también se debe reemplazar si su espesor es inferior a 1/8". Para instalar o reemplazar el papel de lija, la tela metálica o la almohadilla: (Consulte la Figura 12)

PELIGRO: Desconecte la fuente de alimentación. Puede producirse electrocución si la máquina está conectada a la fuente de alimentación mientras se cambian los abrasivos, las almohadillas o se vacía al bolsa de polvo.



a.) Desconecte la máquina de la fuente de alimentación y retire el cable de alimentación del pasador.

b.) Incline la máquina hacia atrás presionando sobre la tira de asistencia a la inclinación con el pie mientras empuja hacia abajo sobre la manija. (Vea la Figura 13)

c.) Saque el pie de la tira de asistencia para la inclinación y siga empujando hacia abajo sobre la manija hasta que la máquina se apoye en posición vertical sobre la manija y ruedas de inclinación. (Vea la Figura 14)

d.) Para sacar la almohadilla de papel o la tela metálica/ almohadilla párese al costado de la máquina y tire desde un borde. La tela metálica puede tener un pasador de empuje plástico en el centro que deberá ser retirado antes de sacar la tela metálica. (Vea la Figura 15)

e.) Centre la nueva almohadilla de papel o tela metálica por encima del impulsor de la almohadilla y presiónela contra el impulsor de la almohadilla hasta que los ganchos del impulsor la mantengan en posición.

ADVERTENCIA: La máquina es pesada. Mantenga a las personas alejadas de la máquina a causa de las posibles lesiones que se producirían si la máquina se inclinase o cayese. Cuando reemplace la almohadilla o cambie el abrasivo tenga precaución al inclinar la máquina. El operador u otros observadores podrían resultar lesionados.

f.) Vuelva a colocar la máquina en posición vertical parándose detrás de la manija y levantándola desde el piso hasta que las ruedas de roldana quedan en contacto con el piso. Coloque el pie en la tira de asistencia para la inclinación y deje desplazar la unidad de lijado hacia el piso.

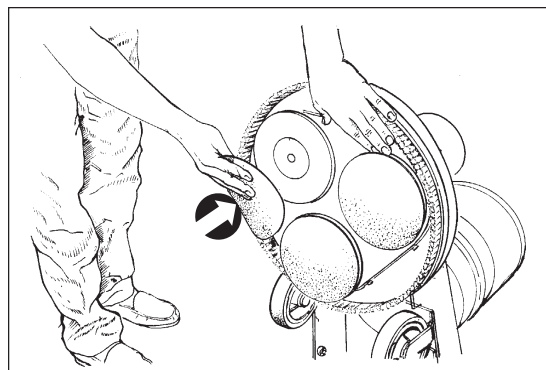


Figura 12

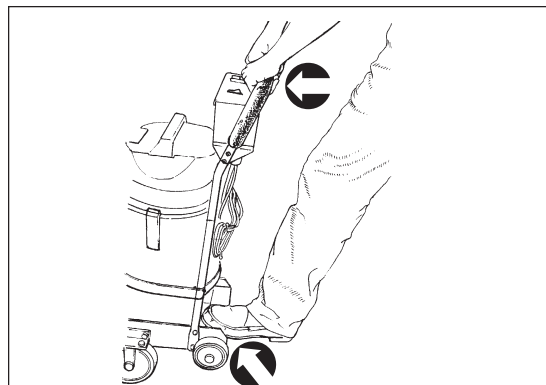


Figura 13

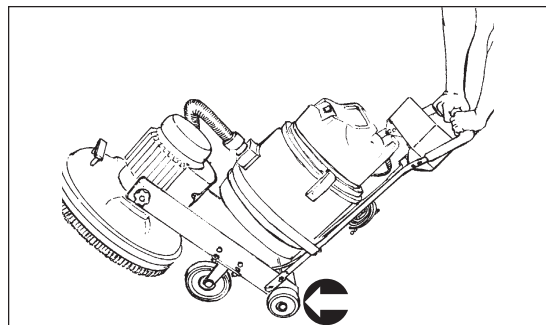


Figura 14

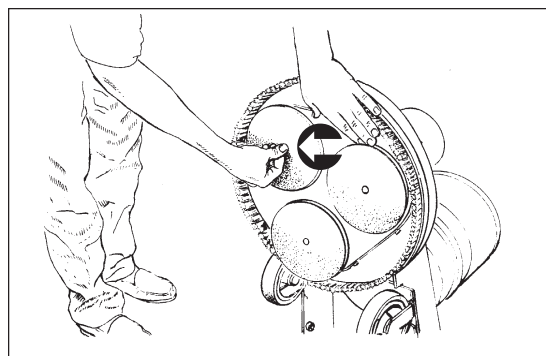


Figura 15

11. Conecte la manguera de la aspiradora a la unidad de lijado y aspire.
12. Conecte el cable de alimentación a la caja eléctrica.

Instrucciones de funcionamiento - Lijado

Para operar la máquina, siga este procedimiento:

1. Desplace la máquina al lugar de trabajo. Mientras lija dicha área, trabaje de manera tal que usted se aleje de la fuente de alimentación. Esto ayudará a evitar que el cable de alimentación se dañe y reduce la necesidad de mover dicho cable con tanta frecuencia.

NOTA: Para consultas sobre los cortes de lija y el papel de lija, vea la página 13.

⚠️ ADVERTENCIA: Pueden producirse lesiones si se instalan o cambian los abrasivos mientras la máquina se encuentra conectada a una fuente de alimentación. Desconecte la máquina antes de instalar los abrasivos.

2. Instale el abrasivo. Para instalar el papel de lija o la tela metálica/ almohadilla, utilice el mismo procedimiento descrito en INSTALACIÓN DE LA MÁQUINA. (Vea la página 5)

⚠️ PELIGRO: Se puede producir electrocución si la máquina se utiliza en un circuito eléctrico sin puesta a tierra. Siempre use un sistema eléctrico de tres hilos conectado a tierra. Nunca retire ni anule el conductor de puesta a tierra del cable eléctrico. Consulte con un electricista si falta el conductor de puesta a tierra o si usted sospecha que el circuito no está adecuadamente puesto a tierra.

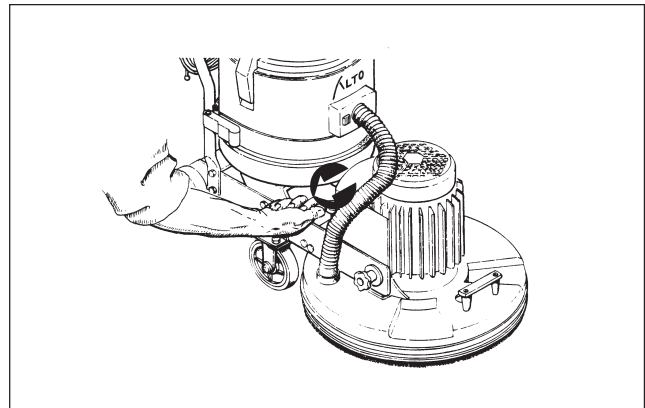


Figura 16

3. Afloje la presión del cabezal hasta que el pie de goma deje de tocar la unidad principal. (Vea la Figura 16) Apriete hasta que el pie de goma toque la unidad principal. Ajuste según sea necesario haciendo funcionar la máquina, luego realice los ajustes hacia arriba o hacia abajo hasta obtener la acción de lijado deseada.

4. Conecte el cable de alimentación de la máquina a un circuito adecuadamente provisto de fusibles y conectado a tierra.

5. Párese detrás de la manija, coloque el interruptor oscilante en "Automático" y presione el interruptor de arranque verde. Para detener la máquina, presione el botón rojo de detención. (Consulte la Figura 17)

PRECAUCIÓN: Para evitar dañar el suelo y reducir la acumulación de calor, mantenga la máquina en movimiento mientras el motor esté en funcionamiento.

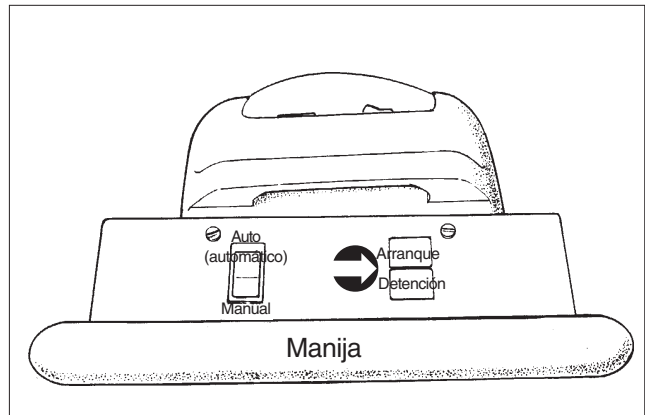


Figura 17

6. El operador debe mover la máquina mientras la misma está en funcionamiento. El operador puede mover la máquina en cualquier dirección cuando lija el piso.

Mantenimiento

Mantenimiento realizado por el usuario:

Las bolsas de papel se deben reemplazar cada 3 horas de uso como mínimo. Puede ser necesario reemplazar las bolsas de papel con mayor frecuencia en el caso de corte profundo y tipos de madera más blandos. **NOTA:** Antes de reemplazar las bolsas de papel, la máquina se debe aspirar para retirar todo el polvo y el filtro de tela se debe limpiar para quitar el polvo acumulado. **(Consulte el Manual del Operador DTV-7 para ver las instrucciones sobre la forma de limpiar el filtro de tela)**

Cuando cambie el papel de lija o la tela metálica, se deben inspeccionar la espuma y el cierre dual "velcro" de las almohadillas de lijado para verificar si están deshilachados, desgastados o dañados.

Mantenimiento de servicio:

La lijadora 3DS debe ser sometida a mantenimiento cada **600 horas** de uso. **Póngase en contacto con un Centro / persona de Mantenimiento Alto para realizar el mantenimiento.** (Los Centros de mantenimiento aparecen en la lista de la contratapa del Manual del Operador).

El mantenimiento siguiente debe incluir:

1. Controle y/ o cambie los cepillos y el conmutador del motor de aspiración **(Vea el manual separado del operador)**.
2. Controle las arandelas aislantes de las almohadillas de lijado para verificar desgaste; reemplácelas si están dañadas.
3. Controle la espuma de las almohadillas de lijado para verificar desgaste; reemplácela si está dañada.
4. Controle los mecanismos de impulsión para verificar desgaste, es decir, las correas, las poleas, el eje del motor.
5. Saque el polvo acumulado del motor de aspiración.
6. Limpie el filtro de tela de la aspiradora.

Además de las tareas indicadas más arriba, se debe realizar el siguiente mantenimiento:

1. Después de **1500 horas** se **debe** reemplazar **la correa de transmisión.**
2. Después de **3000 horas** se **deben** reemplazar los cojinetes de las poleas **de impulsión.**

Solución de problemas

Problema	Causa	Acción
El motor no arranca.	No hay potencia. Interruptor defectuoso / mala conexión	Inspeccione la fuente de alimentación y las conexiones Póngase en contacto con un distribuidor autorizado
El motor no arranca / funciona lento	Tensión baja debido a demasiada longitud o de menor extensión, El capacitor de arranque es defectuoso. El interruptor de arranque es defectuoso. Capacitor de arranque/ funcionamiento defectuoso Motor defectuoso, baja tensión	Use un cable alargador de calibre 12, que no exceda 40' de longitud. Póngase en contacto con un distribuidor autorizado Póngase en contacto con un distribuidor autorizado Póngase en contacto con un distribuidor autorizado Póngase en contacto con un distribuidor autorizado
El fusible / disyuntor repetidamente se disparan.	Baja tensión Conexión defectuosa. Motor defectuoso	Elimine el alargador. Localice la fuente eléctrica más cercana al lugar de trabajo. Haga que la tensión sea inspeccionada por un electricista capacitado. Póngase en contacto con un distribuidor autorizado Póngase en contacto con un distribuidor autorizado
La máquina "salta" durante	Ajuste de la presión de los cabezales no fijado a la presión adecuada. Almohadilla de lijado en malas condiciones/ desgastada. Almohadillas desparejas. Papel de lija/ tela metálica roto(a), desgastado(a) instalado(a) inadecuadamente.	Ajuste el perno de presión de el funcionamiento los cabezales según sea necesario. Reemplace la almohadilla defectuosa. Reemplace las almohadillas desparejas. Reemplace el papel de lija/ la tela metálica defectuoso(a) o instale adecuadamente.
La máquina tira hacia la derecha. durante el funcionamiento	Ajuste de la presión de los cabezales demasiado apretado.	Afloje la presión de los cabezales ajuste. (Consulte la figura 17, página 8).
La máquina no contiene adecuadamente el polvo.	La bolsa de papel está llena o no está adecuadamente asentada sobre la bocina de entrada de la aspiradora. El filtro de tela está obstruido	Reemplace la bolsa de papel de la aspiradora sujetándola adecuadamente en la bocina de la aspiradora. Saque el filtro de tela y límpielo soplando con aire bajo alta presión.
La máquina empuja hacia atrás cuando está en funcionamiento.	Ajuste incorrecto de las perillas manuales de la excéntrica.	Ajuste la excéntrica para que empalme en la marca del bastidor con el orificio de la hacia el frente de la máquina. NOTA: Después del ajuste las dos ruedas de roldana deben girar con la misma cantidad de presión.

Cortes de lija y papel de lija

CORTE GENERAL

Como la máquina se ha diseñado para un patrón de corte al azar, se permite cualquier dirección de recorrido; sin embargo, se recomienda que la máquina se mueva continuamente mientras está en funcionamiento. Un recorrido hacia adelante y hacia atrás, luego por encima de la mitad, es también un patrón general de lijado.

CORTE INICIAL

El propósito del corte inicial es sacar el acabado viejo, las imperfecciones mayores y las marcas de la lijadora de tambor/ correa de la superficie del piso. Use un abrasivo de grano grueso (40-60 granos). Para casos extremos use abrasivo de 36 granos.

CORTES FINALES

El propósito de un corte de acabado es eliminar los rayones producidos durante el corte inicial y los cortes de la canteadora. Use un abrasivo de grano fino (80-100 granos).

Si la superficie permanece áspera después de un corte de acabado, puede ser necesario utilizar un abrasivo de papel de lija de grano aún más fino o un abrasivo de tela metálica. La almohadilla usada con la tela metálica también se puede usar con papel de lija de grano fino para obtener el acabado deseado. Se deberá tener cuidado al seleccionar el tamaño del grano del abrasivo. Un grano muy fino cerrará los poros sobre el piso de madera dificultando el ingreso de manchas.

Si se produce glaseado o quemado, el abrasivo no está afilado y debe ser reemplazado.

NOTA: Esta máquina se usa para lijado de acabado fino. Sin embargo, se puede usar papel de lija de granito 36 y 40 para aplicaciones especiales.

GRANO	USE	Nº/P
36 granos	Para eliminar imperfecciones gruesas y restaurar la superficie pareja del piso viejo. Para retirar la acumulación de pintura y barnices y el primer lijado del piso nuevo.	945630
40 granos	Para el primer lijado del piso nuevo (roble y arce). Para eliminar imperfecciones menores y acabados en los pisos viejos.	945361
60 granos malla de 60 granos	Para la limpieza desde el corte inicial 36 granos.	945633
80 granos malla de 80 granos	Para el lijado final de ciertas maderas duras. Para la limpieza de cortes (60 granos).	945634
100 granos malla de 100 granos	Para el lijado final de ciertas maderas duras y coníferas donde se desea una superficie suave.	945635

ACCESORIOS

Pieza #	Descripción
674114	Manguera, aspiración 1½" X 10
682408	Adaptador de manguera de aspiración de 1 ½"
639804	Montaje de varilla, curvada 1 ½"
638820	Herramienta, fieltro, tela regenerada 14"
638838	Herramienta, cerda, tela regenerada 15"

DISCOS ABRASIVOS PARA LIJADORA DE 3 DISCOS

Pieza #	Descripción
945630	BX (25) 3M 8" Disco Hookit #36
945631	BX (25) 3M 8" Disco Hookit #40
945633	BX (25) 3M 8" Disco Hookit #60
945634	BX (25) 3M 8" Disco Hookit #80
945635	BX (25) 3M 8" Disco Hookit #100

DISCOS DE MALLA PARA LIJADORA

DE 3 DISCOS

Pieza #	Descripción
945624	CS(40)7 7/8"x3/16" Disco de malla #60
945625	CS(40)7 7/8"x3/16" Disco de malla #80
945626	CS(40)7 7/8"x3/16" Disco de malla #100

ALMOHADILLAS DE DISCO PARA LIJADORA

DE 3 DISCOS

Pieza #	Descripción
945610	Bx(40)8"x2 ¾" Almohadilla de disco de canteadora

LISEZ CE MANUEL

Ce Manuel contient des informations importantes concernant l'utilisation et le fonctionnement de cette machine dans des conditions de sécurité optimales. La non-lecture de ce manuel avant d'utiliser ou d'entretenir votre machine Clarke American Sanders risque de provoquer un accident ou d'endommager la machine ou son environnement. Vous devez avoir été formé à l'utilisation de cette machine avant de l'utiliser. Si l'opérateur n'est pas en mesure de lire ce Manuel, il devra se le faire expliquer entièrement avant de tenter d'utiliser cette machine.

Toutes les directions données dans ce Manuel le sont par rapport à la position de l'opérateur, à l'arrière de la machine.

Pour commander un nouveau Manuel, écrivez à : Clarke®, 2100 Highway 265, Springdale, Arkansas 72764.


Sommaire

Consignes de sécurité ----- 45
 Explication des symboles indiquant des dangers ----- 46
 Introduction et caractéristiques de la machine ----- 47
 Consignes de branchement à une source d'alimentation 230 volts ----- 48
 Démontage/Transport de la machine ----- 49
 Montage de la machine ----- 51
 Instructions de service ----- 52
 Entretien ----- 53
 Entretien par l'utilisateur ----- 53
 Entretien de service ----- 53
 Détection des pannes ----- 54
 Ponçages et papiers abrasifs ----- 55
 Accessoires ----- 56

Partie II Pièces de rechange et Manuel d'entretien

Schéma de montage #1 ----- 86
 Montage- Liste des pièces de rechange #1 ----- 87
 Schéma de montage #2 ----- 88
 Montage Liste des pièces de rechange #2 ----- 89
 Synoptique électrique ----- 90

Français *Comment éliminer ce produit (déchets d'équipements électriques et électroniques)*
(Applicable dans les pays de l'Union Européen et aux autres pays européens disposant de systèmes de collecte sélective)



Ce symbole sur le produit ou sa documentation indique qu'il ne doit pas être éliminé en fin de vie avec les autres déchets ménagers. L'élimination incontrôlée des déchets pouvant porter préjudice à l'environnement ou à la santé humaine, veuillez le séparer des autres types de déchets et le recycler de façon responsable. Vous favoriserez ainsi la réutilisation durable des ressources matérielles.

Les particuliers sont invités à contacter le distributeur leur ayant vendu le produit ou à se renseigner auprès de leur mairie pour savoir où et comment ils peuvent se débarrasser de ce produit afin qu'il soit recyclé en respectant l'environnement.


Les entreprises sont invitées à contacter leurs fournisseurs et à consulter les conditions de leur contrat de vente. Ce produit ne doit pas être éliminé avec les autres déchets commerciaux.


CONSIGNES DE SECURITE



DANGER signifie : Vous ou d'autres membres du personnel risquent d'être victimes de blessures corporelles graves ou de mort, si vous ne tenez pas compte ou ne respectez pas les informations énoncées dans les notices d'utilisation et de montage de la machine indiquant le signe **DANGER** qui se trouvent sur l'appareil ou dans le Manuel de l'utilisateur. Nous vous demandons de les lire et de respecter toutes ces informations.



AVERTISSEMENT signifie : Vous ou d'autres membres du personnel risquent d'être victimes de blessures corporelles graves, si vous ne tenez pas compte ou ne respectez pas les informations énoncées dans les notices d'utilisation et de montage de la machine indiquant le signe **AVERTISSEMENT** qui se trouvent sur l'appareil ou dans le Manuel de l'utilisateur. Nous vous demandons de les lire et de respecter toutes ces informations.



PRECAUTION signifie : Vous risquez d'être victimes de blessures légères ou de provoquer des dégâts matériels ou d'endommager la machine si vous ne tenez pas compte ou ne respectez pas les informations énoncées dans les notices d'utilisation et de montage de la machine indiquant le signe **PRECAUTION** qui se trouvent sur l'appareil ou dans le Manuel de l'utilisateur. Nous vous demandons de les lire et de les respecter toutes ces informations.



 **DANGER** : Si vous ne lisez pas attentivement le contenu du Manuel de l'utilisateur avant la mise en service de la machine ou de son entretien, vous risquez d'être victime de blessures, d'endommager l'appareil ou de provoquer des dégâts matériels. Vous devez apprendre comment elle fonctionne avant de l'utiliser. **Si vous ne comprenez pas l'anglais, demandez à une personne maîtrisant cette langue de vous expliquer ce manuel dans son intégralité avant la mise en service de la machine.**



 **DANGER** : Vous ne pouvez pas utiliser cette machine si elle n'est pas entièrement montée. Vous risqueriez sinon de vous blesser ou de provoquer des dégâts matériels. Assurez-vous que toutes les fixations sont bien serrées. Effectuez les réglages nécessaires en respectant les caractéristiques de la machine.



 **DANGER** :  Des matériaux explosifs peuvent entraîner des blessures corporelles graves ou la mort. Le ponçage ou la finition de planchers risquent de provoquer une explosion ou un incendie. Ne faites pas fonctionner cette machine en présence de solvants, de diluants, d'alcool, de carburant, de produits de finition pour le sol, de sciures ou d'autres matériaux inflammables. Le ponçage ou la finition peut produire des vapeurs ou des poussières et provoquer une explosion. Evitez d'utiliser ou éteignez briquets, veilleuses, étincelles électriques ou autres sources d'ignition. Veillez à bien ventiler l'endroit où vous travaillez.

 **DANGER** :  La poussière provenant du ponçage des planchers peut s'enflammer ou exploser de manière spontanée. Jetez-la immédiatement dans un récipient en métal qui ne contient pas de carburant et surtout pas sur une flamme.

 **DANGER** :  Débranchez systématiquement la machine pour toute opération sur celle-ci : nettoyage, entretien, changement de disques abrasifs ou accessoires, car vous vous exposez sinon à des risques d'électrocution. Débranchez-la toujours si vous ne l'utilisez plus.

 **DANGER** :  N'utilisez pas cette machine si le cordon d'alimentation est endommagé car vous risquez sinon de vous électrocuter ou de provoquer un incendie. Maintenez le cordon éloigné du pad et toujours au-dessus de la machine. Ne soulevez pas la machine par son cordon pour la déplacer.

 **DANGER** :  Vous risquez de vous électrocuter si vous manœuvrez la machine sur un circuit électrique qui n'est pas mis à la terre. Utilisez toujours un montage à trois conducteurs relié à la mise électrique à la terre. N'enlevez jamais ou ne désactivez jamais le fil conducteur de mise à la terre sur le cordon électrique. Consultez un électricien s'il n'y a pas de conducteur de mise à la terre ou si vous n'êtes pas certain que le circuit de mise à la terre de votre maison a été posé conformément aux prescriptions en vigueur.

 **DANGER** :  Pour éviter de vous blesser, maintenez mains, pieds et vêtements amples éloignés des parties en mouvement de la machine. Débranchez la machine avant de remplacer les pads, de changer les disques abrasifs ou de procéder à l'entretien de la machine. Ne la faites pas fonctionner si elle n'est pas en position verticale et si le dispositif de ponçage n'est pas en contact avec le sol. Ne laissez jamais la machine en marche sans surveillance.

⚠ AVERTISSEMENT : Risque de choc électrique. Les composants électriques de cette ponceuse peuvent "court-circuiter" si elles sont exposées à l'eau ou à l'humidité. Maintenez-les toujours secs. Essuyez toujours la machine après chaque utilisation et rangez-la dans un bâtiment sec à l'abri de l'humidité.



⚠ AVERTISSEMENT : Lors du ponçage, portez toujours des vêtements de protection et accessoires de sécurité (lunettes de protection, protecteurs d'oreilles, gants, masque protecteur, masque antipoussière et chaussures de travail). Vous éviterez ainsi de vous blesser.




⚠ AVERTISSEMENT : Ne tentez pas de modifier ou de transformer une pièce de cette machine, car vous risquez sinon de l'endommager, de vous blesser ou de blesser d'autres personnes se trouvant à proximité. Le fabricant décline toute responsabilité ou annule toute garantie pour toute transformation ou modification n'ayant pas été autorisée.

⚠ AVERTISSEMENT : Ne faites pas fonctionner la machine sans avoir pris connaissance du contenu de toutes les étiquettes et consignes de sécurité, car vous risqueriez sinon de vous blesser ou de l'endommager. Lisez bien le contenu de toutes les étiquettes apposées sur la machine avant de l'utiliser et assurez-vous que ces dernières ainsi que toutes les consignes de sécurité sont bien accolées ou fixées sur la machine. Demandez des étiquettes de remplacement ou des étiquettes collantes auprès d'un distributeur agréé.


⚠ AVERTISSEMENT : Cette machine est lourde. Utilisez une technique appropriée pour la soulever, car vous risquez sinon de vous blesser ou de blesser toute personne se trouvant à proximité. Faites-vous aider pour la soulever.

Explosion 

Pièces en mouvement 

Objet lourd 

Choc électrique 

Protection des yeux 

Lisez le Manuel de l'utilisateur 

Explication des symboles indiquant des dangers

Toute personne utilisant la ponceuse doit avoir lu et compris le Manuel de l'utilisateur. Elle évitera ainsi de se blesser ou d'endommager la machine.



Le symbole d'une flamme indique que le matériau peut s'enflammer ou vous brûler.



Le symbole d'un homme avec une tension le traversant indique une électrocution ou un choc électrique. Ceci peut causer la mort ou des blessures graves.



Ce symbole indique que les pièces en mouvement présentent un danger. Vous risquez donc de vous blesser.



Le symbole d'une personne portant des lunettes de protection indique un danger pour les yeux.



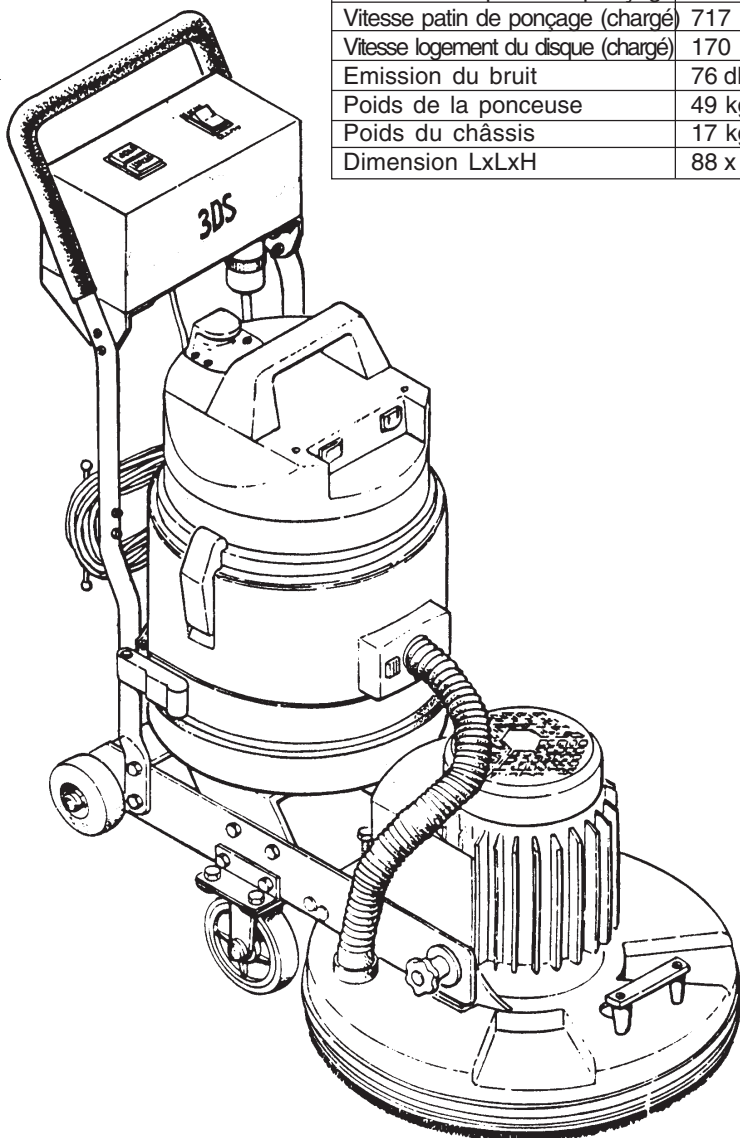
Le symbole d'une personne soulevant un objet indique que l'on risque de se blesser si l'on n'utilise pas une technique appropriée pour soulever la machine.

Introduction et caractéristiques de la machine

La 3DS est une ponceuse conçue principalement pour le lissage des planchers. Elle procure ainsi un fini lisse et uniforme tout en aidant à éliminer les inégalités produites par le ponçage à ruban et à tambour. Elle ne peut être utilisée sur des surfaces mouillées ou humides.

CARACTERISTIQUES DU PRODUIT

Code machine	07082C	07112A(UK)	07085C(EU)
Aspiration	Equipée avec aspiration		
Poids 74 kg	74 kg		
Poids à l'expédition	106 kg		
Type de machine	Ponçage à sec à 3 disques		
Moteur	3 Hp monophasé	2,2kW monophasé	
Tension	230v		
Fréquence	60 Hz	50 Hz	
Câble d'alimentation	40' 12-3 SJO	15m HO7RN-F3G1.50	
Intensité de courant	11,5A		
Excès de puissance	Disjoncteur 15 A		
Classe d'isolation moteur	F		
Diamètre de travail	48 cm		
Diamètre du patin de ponçage	203 mm		
Vitesse patin de ponçage (chargé)	717 tpm		
Vitesse logement du disque (chargé)	170 tpm		
Emission du bruit	76 dBA		
Poids de la ponceuse	49 kg		
Poids du châssis	17 kg		
Dimension LxLxH	88 x 51 x 100 cm		



Instructions de mise à la terre - 230 volts**MACHINES 230 VOLTS
INSTRUCTIONS DE BRANCHEMENT
A UNE ALIMENTATION COURANT
ET A LA MISE ELECTRIQUE A LA TERRE**

⚠ PRECAUTION : Pour éviter d'endommager la machine, faites-la fonctionner uniquement à la fréquence CA et à la tension électrique indiquées sur la plaque du constructeur. Assurez-vous que vous disposez bien de la fréquence et de la tension qui conviennent avant de brancher le cordon d'alimentation à une prise de courant.

Cette machine doit être mise à la terre. En effet en cas de mauvais fonctionnement ou de panne, la mise à terre fournit un trajet de résistance minimale pour le courant électrique et permet ainsi de réduire le risque de choc électrique. Cette machine est dotée d'un câble muni d'un conducteur de mise à la terre principale et d'une fiche de mise à la terre, laquelle doit être branchée à une prise de courant appropriée posée correctement et mise à la terre conformément à toutes les prescriptions en vigueur.

⚠ AVERTISSEMENT : Un raccordement incorrect du conducteur de mise à la terre principale peut causer un risque de choc électrique. Vérifiez auprès d'un technicien qualifié ou d'un technicien de service, si vous n'êtes pas sûr que la prise de courant a été mise à la terre comme il le faut. Ne modifiez pas la prise fournie avec la machine – si elle ne convient pas à la prise de courant, faites installer celle qu'il faut pas un électricien qualifié.



Cette machine doit être utilisée avec une tension nominale de 230 volts. Il est doté d'une prise de terre qui ressemble à l'une des prises illustrées dans la Figure 1. Veillez à brancher la machine dans une prise ayant la même configuration que la prise de terre. N'utilisez aucun adaptateur pour brancher cette machine.

Cette machine doit être reliée à la mise électrique à la terre afin de protéger l'opérateur de tout choc électrique. Elle est dotée d'un cordon d'alimentation possédant deux conducteurs principaux et un conducteur de mise à la terre. Branchez la fiche dans la prise femelle. Le conducteur vert ou jaune et vert de protection est le fil de terre. Ne le reliez jamais à une borne autre que la borne de terre.

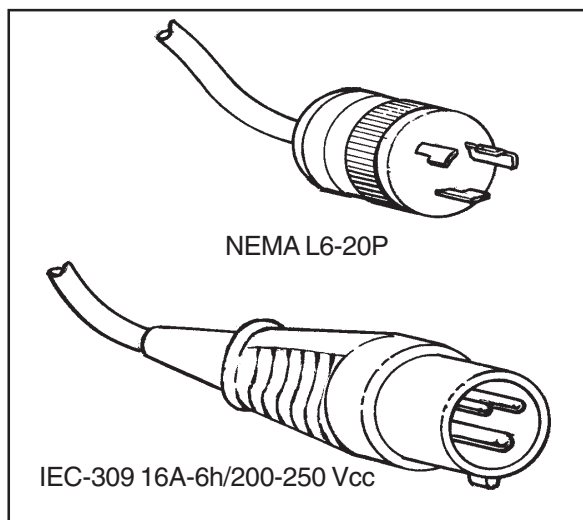


Figure 1

⚠ AVERTISSEMENT : Pour éviter tout choc électrique, utilisez toujours cette machine avec un montage à trois conducteurs CA relié à la mise électrique à la terre. Remplacez tout cordon usé, coupé ou endommagé. Remplacez toutes les prises, prises femelles ou tous les corps d'un connecteur endommagés. Ne déplacez pas la machine au-dessus d'un câble électrique. Levez toujours le cordon d'alimentation au-dessus de la machine.

**RALLONGES**

N'utilisez qu'une rallonge homologuée munie de deux conducteurs principaux et d'un conducteur de mise à la terre. La ponceuse est équipée d'un cordon d'alimentation avec une taille de câble de 2,5mm².

⚠ AVERTISSEMENT : Pour éviter toute surchauffe du moteur, et dans le cas où vous utiliseriez une rallonge, choisissez-en une avec une taille de câble minimale de 4 mm². N'utilisez pas de rallonge de plus de 10 AWG ou de 15 millimètres carrés. Ne branchez jamais deux rallonges ensemble.



⚠ AVERTISSEMENT : Pour éviter tout choc électrique, ne coupez pas, ne retirez pas ou ne brisez pas la borne de terre. Ne tentez pas de mettre une fiche à trois bornes dans une prise femelle ou un corps de connecteur qui n'est pas adapté à la fiche. Si la prise femelle ou le corps de connecteur ne conviennent pas à la fiche, renseignez-vous auprès de votre distributeur de ponceuses américaines de marque Clarke afin qu'il vous fournisse un technicien agréé pour effectuer le branchement.



Démontage /Transport de la machine

Pour démonter la machine, procédez de la manière suivante :

1. Débranchez la machine du secteur et enroulez le cordon d'alimentation.

⚠ AVERTISSEMENT : L'opérateur ou toute personne se trouvant à proximité risque de se blesser si la machine reste branchée lors de son entretien, lors du changement de disques abrasifs ou du vidage du sac à poussière.

2. Débranchez le cordon d'alimentation, le cordon du moteur, et l'aspiration du coffre de branchement.
3. Enlevez le tuyau d'aspiration du dispositif de ponçage.
4. Enlevez les deux boutons manuels du dispositif de ponçage et séparez le dispositif de ponçage du châssis du chariot.
(voir Figure 2)

⚠ AVERTISSEMENT : La machine pèse lourd (50 kg). Pour éviter de vous blesser lorsque vous la faites fonctionner ou de l'endommager, prenez-la bien en main et utilisez une technique appropriée pour la soulever. Demandez de l'aide si besoin est.



5. Pour soulever la machine, prenez-la à ses points de levage. (Voir Figure 3)
6. Déroulez le cordon d'alimentation de l'aspiration enroulé autour des clavettes situées sur la poignée et placez la tête d'aspiration.
7. Détachez les courroies d'aspiration en dégonflant le loquet de tirage. La courroie d'aspiration revient élastiquement. Le dispositif d'aspiration peut être enlevé en le relevant du châssis du chariot. (Voir Figure 4)
8. La poignée peut être enlevée en enlevant les quatre écrous boulons et écrous (5/16-18) qui permettent de la fixer au châssis du chariot.
9. Fixez bien tous les éléments en mouvement, lorsque vous transportez la machine afin d'éviter de l'endommager.

Comment déplacer la machine (de pièce en pièce)

Lorsque vous déplacez la machine sur de courtes distances (de pièce en pièce), vous pouvez l'incliner en arrière, jusqu'à ce que les roues de 4 pouces de diamètre soient en contact avec le sol. Vous pouvez amener la machine à l'endroit souhaité en appuyant de manière constante sur la poignée. (voir Figure 5)

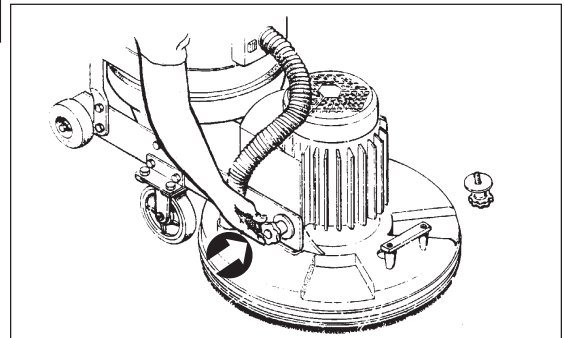


Figure 2

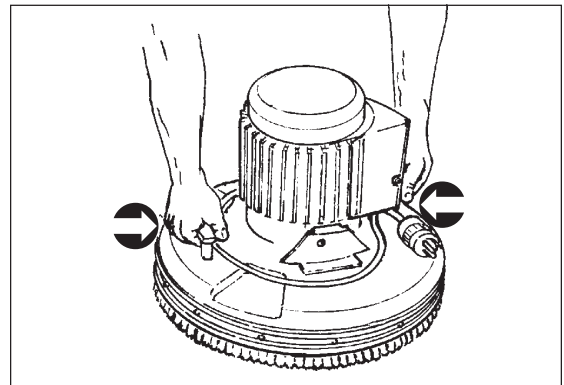


Figure 3

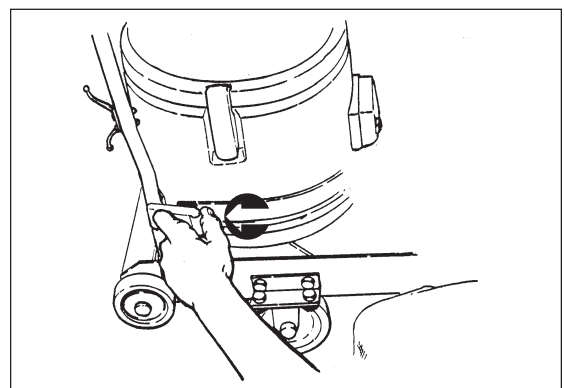


Figure 4

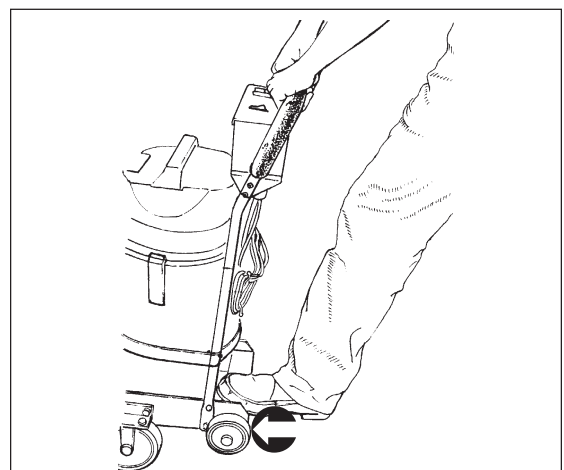


Figure 5

Montage de la machine

Pour monter la machine, vous avez besoin des outils suivants : un tournevis 1 - #2 Phillips 2 – des clés plates à fourche de 12,7 mm ou (2) clés à molette.

Pour préparer la machine pour son utilisation, suivez les étapes suivantes :

1. Retirez toutes les pièces de leur emballage et vérifiez qu'il n'y en a aucune qui soit endommagée ou manquante.
2. Lisez attentivement le Manuel de l'utilisateur et des pièces détachées, y compris les informations énoncées dans les notices indiquant des dangers, des avertissements et des précautions avant de faire fonctionner la machine. Si vous et l'opérateur ne peuvent pas lire ce manuel dans la langue dans laquelle il est imprimé, demandez à ce que l'on vous l'explique dans son intégralité avant d'essayer d'utiliser la machine.
3. Montez le dispositif de ponçage sur le châssis du chariot, en serrant les deux boutons manuels qui passent à travers le châssis du chariot jusqu'au dispositif de ponçage. (Voir Figure 6). Servez-vous des boulons excentrés du châssis du chariot pour aligner correctement le châssis et le dispositif de ponçage. Faites correspondre les repères situés sur les pièces d'écartement et avec ceux du châssis : un sur la droite et deux sur la gauche.
4. Faites passer le câble d'alimentation du moteur sous la courroie de pression de la tête et la courroie de support d'aspiration, puis sur la courroie de support d'inclinaison.
5. Fixez le manche sur le châssis du chariot en serrant les quatre boulons et les écrous (5/16-18) en nylon fournis et branchez le cordon d'alimentation du moteur. (Voir Figure 7). Serrez les écrous qui retiennent les roues d'inclinaison et attachez les courroies de support de l'aspirateur comme illustré sur la Figure 7.
6. Placez le filtre Dacron autour du filtre en tissu. (Voir Figure 8)
7. Placez l'aspiration à sec sur les courroies de support de l'aspirateur avec la partie inférieure centrale dans l'orifice de 2" de diamètre. REMARQUE : le port du tuyau d'aspiration doit être en face du moteur du dispositif de ponçage. Fixez la courroie de l'aspirateur autour de sa base. (Voir Figure 9)
8. Vous disposez d'un sac en papier jetable. Si vous souhaitez l'utiliser, enlevez la tête d'aspiration et installez un sac de contrôle de la poussière en papier en insérant le déflecteur de l'aspirateur dans le pied de fixation du sac en papier. Pour vous assurer que le sac est posé correctement sur le déflecteur, vérifiez que le joint d'étanchéité en caoutchouc est placé dans la rainure du déflecteur (voir Figure 10). REMARQUE : vérifiez que le sac en papier est posé correctement après tout transport de la machine, afin d'éviter que la poussière ne pénètre dans le réservoir d'aspiration.
9. Enroulez le cordon de l'aspirateur autour des clavettes situées à l'arrière de la poignée. Laissez suffisamment de lâche pour pouvoir brancher le cordon dans le coffre de branchement. Mettez l'interrupteur de l'aspirateur en position "MARCHE". Celui-ci doit toujours rester dans cette position. (voir Figure 11 ci-dessous)

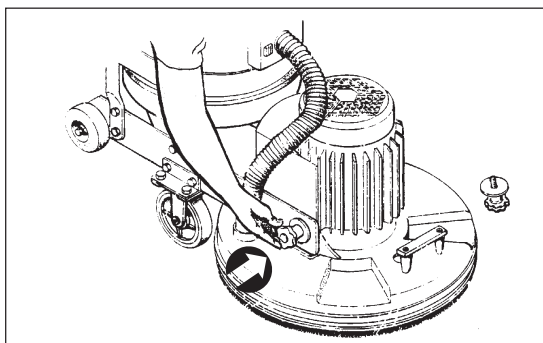


Figure 6

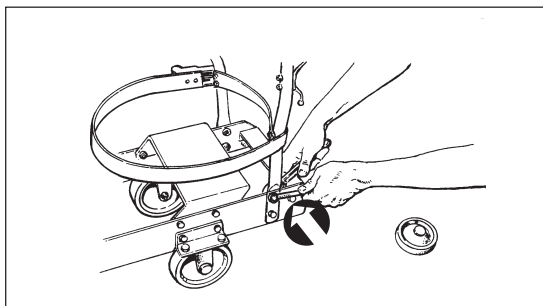


Figure 7

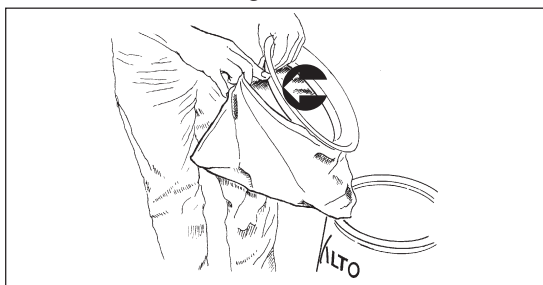


Figure 8

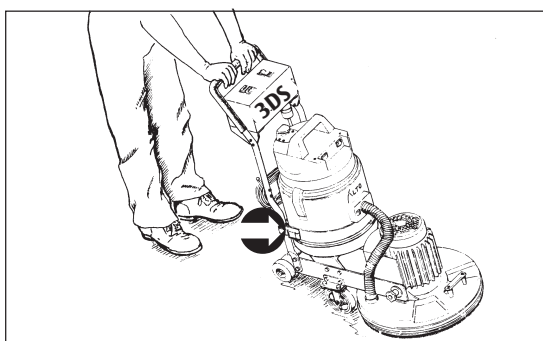


Figure 9

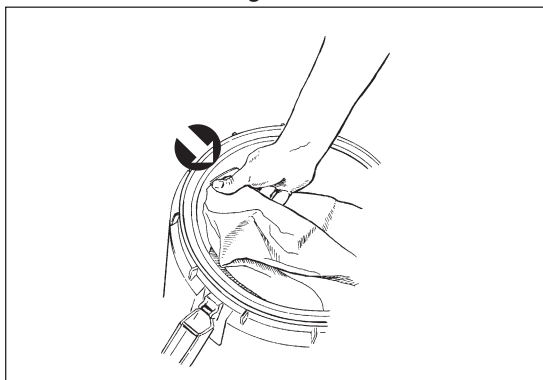


Figure 10

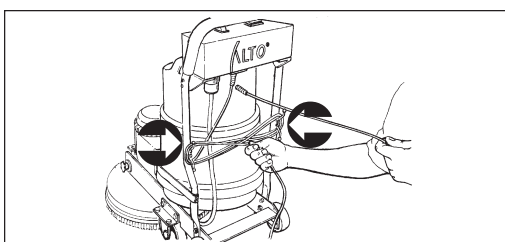


Figure 11

Montage de la machine (suite)

AVERTISSEMENT : L'opérateur ou les personnes se trouvant à proximité risquent de se blesser au cas où la machine basculerait ou tomberait, lors du changement du pad ou du disque abrasif.

AVERTISSEMENT : Prenez toujours garde à ce que la machine ne se mette pas en marche lorsqu'elle est en position verticale. Ceci pourrait causer des blessures graves si elle démarrait lors du changement du disque abrasif.

PRECAUTION : La tête de ponçage risque d'être endommagée si elle chute librement de sa position inclinée.

PRECAUTION : Le mécanisme d'entraînement du pad risque d'être endommagé si la machine fonctionne sans abrasif ou sans abrasif en treillis et pad, et si le pad est d'une épaisseur inférieure à 1/8".

10. Installez ou remplacez l'abrasif, l'abrasif en treillis ou le pad. Ces trois éléments doivent être remplacés en cas de déchirure, d'usure et de ternissement. Le pad doit également être remplacé s'il est d'une épaisseur inférieure à 1/8". Pour installer ou remplacer l'abrasif, l'abrasif en treillis, ou le pad : (Voir Figure 12)

DANGER : Débranchez la machine car vous risquez de vous électrocouter si celle-ci est branchée lorsque vous changez les abrasifs et les pads ou que vous videz le sac à poussière.



- Débranchez la machine et éloignez le cordon d'alimentation.
- Inclinez la machine en arrière en appuyant sur la courroie de support d'inclinaison avec le pied tout en appuyant sur la poignée. (Voir Figure 13)
- Enlevez le pied de la courroie de support d'inclinaison et continuez à appuyer sur la poignée jusqu'à ce que la machine repose en position verticale sur la poignée et les roues d'inclinaison. (voir Figure 14)
- Pour enlever l'abrasif ou l'abrasif en treillis et le pad, placez-vous sur l'un des côtés de la machine et tirez par un bord. Il se peut qu'il y ait une barrette poussoir en plastique au centre de l'abrasif en treillis qu'il faille retirer avant d'enlever l'abrasif. (voir Figure 15)
- Placez le nouvel abrasif ou abrasif en treillis ou pad sur le mécanisme d'entraînement du patin, jusqu'à ce que les crochets qui s'y trouvent les maintiennent en position.

AVERTISSEMENT : La machine est lourde. Maintenez toute autre personne que vous éloignée de la machine car elle pourrait se blesser, si la machine basculait ou tombait. Lorsque vous remplacez le pad ou que vous changez l'abrasif, faites attention lorsque vous inclinez la machine. Vous ou d'autres personnes se tenant à proximité pourraient se blesser.

- Remettez la machine en position verticale en vous tenant derrière la poignée et en la soulevant du sol jusqu'à ce que les roulettes touchent le sol. Placez le pied sur la courroie de support d'inclinaison et relâchez le dispositif de ponçage sur le sol.

11. Rattachez le tuyau d'aspiration au dispositif de ponçage et à l'aspirateur.

12. Branchez le cordon d'alimentation dans le coffre de branchement.

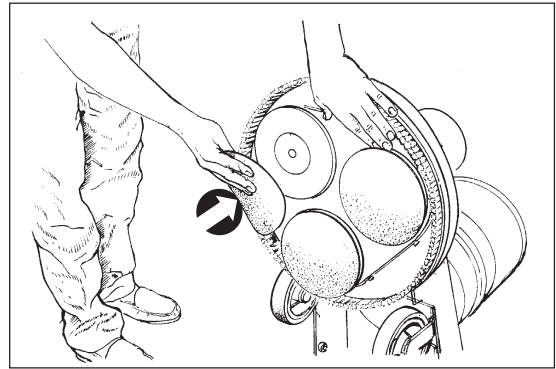


Figure 12

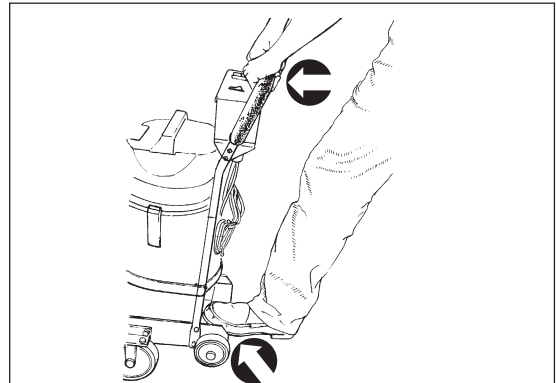


Figure 13

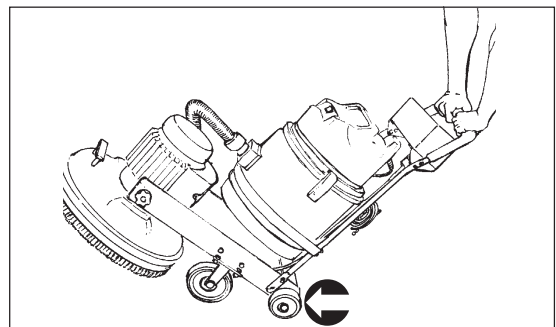


Figure 14 14

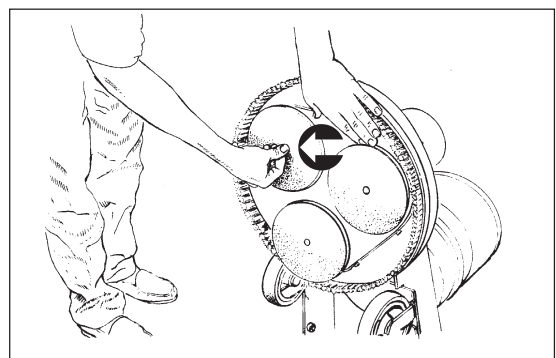


Figure 15

Instructions d'emploi - Ponçage

Pour faire fonctionner la machine, suivez les étapes suivantes :

1. Amenez la machine sur l'endroit que vous souhaitez poncer. Lorsque vous ponchez, faites-le en vous éloignant toujours du cordon d'alimentation. Vous éviterez ainsi de l'endommager et d'avoir à le bouger aussi souvent.

NOTE: Pour les ponçages et les abrasifs, consultez la page 13.

⚠ AVERTISSEMENT : Vous risquez de vous blesser si la machine est branchée lors de son installation ou du remplacement d'abrasifs. Débranchez-la avant de monter les abrasifs.

2. Installez l'abrasif. Utilisez la même technique que celle décrite dans le MONTAGE DE LA MACHINE prévue pour l'installation de l'abrasif ou du pad. (Voir Page 5)



DANGER : Vous risquez de vous électrocuter si la machine est utilisée sur un circuit électrique qui n'est pas mis à la terre. Utilisez toujours un montage à trois conducteurs relié à la mise électrique à la terre. N'enlevez jamais ou ne désactivez jamais le fil conducteur de mise à la terre sur le cordon électrique. Consultez un électricien s'il n'y a pas de conducteur de mise à la terre ou si vous n'êtes pas certain que le circuit de mise à la terre de votre maison a été posé conformément aux prescriptions en vigueur.



3. Relâchez la pression de la tête jusqu'à ce que le pied en caoutchouc soit en contact avec le châssis principal. (Voir Figure 16). Serrez jusqu'à ce que le pied en caoutchouc soit en contact avec le châssis principal. Effectuez les réglages nécessaires lorsque vous manœuvrez la machine, soit vers le haut soit vers le bas pour obtenir le ponçage souhaité.
4. Branchez le cordon d'alimentation de la machine sur un circuit électrique mis à la terre et à fusibles.
5. Tenez-vous derrière la poignée, positionnez l'interrupteur du levier sur "Automatique" et appuyez sur le bouton de marche vert. Pour arrêter la machine, appuyez sur le bouton d'arrêt rouge. (Voir Figure 17)

PRECAUTION : Pour éviter d'abîmer le plancher et pour réduire le développement de chaleur, déplacez toujours la machine quand le moteur est en marche.

6. Vous devez toujours déplacer la machine quand elle est en marche. Elle peut être déplacée dans toutes les directions lors du ponçage.

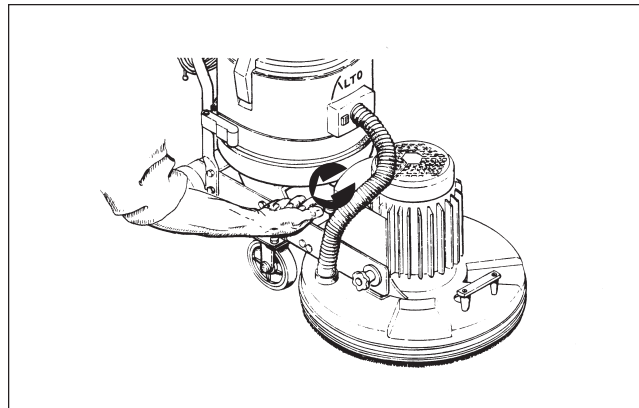


Figure 16

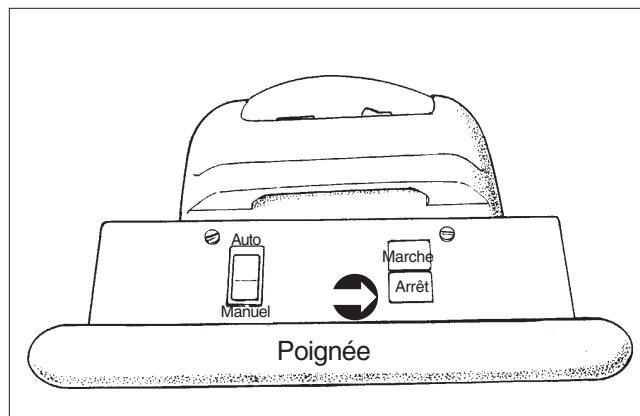


Figure 17

Entretien

Entretien par l'utilisateur:

Les sacs en papier doivent être remplacés après 3 heures d'utilisation minimum. Il faudra peut-être les remplacer plus souvent lors du ponçage de surfaces difficiles ou de types de bois plus tendres. **REMARQUE** : Avant de remplacer les sacs en papier, il est nécessaire d'aspirer toute la poussière dans la machine et de nettoyer le filtre en tissu pour le débarrasser de toute poussière accumulée. **(Consultez le manuel de l'utilisateur du DTV-7 pour des explications sur le nettoyage du filtre en tissu)**

Lorsque vous changez l'abrasif ou l'abrasif en treillis, vérifiez que la mousse et le "velcro" dual lock ne sont pas écorchés, usagés ou détériorés.

Entretien de service:

La ponceuse 3DS doit être faire l'objet d'un entretien au bout de chaque **600 heures** d'utilisation. **Contactez un centre de service/technicien chargé de l'entretien Alto pour l'entretien de votre machine.** (Les centres de service sont répertoriés à l'intérieur de la couverture arrière du Manuel de l'utilisateur).

L'entretien doit comprendre les interventions suivantes :

1. Vérifier et/ou changer les balais et le commutateur du moteur d'aspiration (**Voir le Manuel de l'utilisateur séparé**).
2. Contrôler les oeilletons en caoutchouc et vérifier qu'ils ne sont ni usagés ni déchirés. Remplacez-les en cas de détérioration.
3. Contrôler la mousse des pads et vérifier qu'ils ne sont ni usagés ni déchirés ; les remplacer en cas de détérioration.
4. Contrôler l'usure de tous les mécanismes d'entraînement (courroies, poulies, arbre du moteur).
5. Se débarrasser de la poussière accumulée dans le moteur d'aspiration.
6. Nettoyez le filtre en tissu sur le dispositif d'aspiration.

L'entretien suivant devra en outre être assuré :

1. Après **1500 heures** la **courroie d'entraînement** doit être **remplacée**.
2. Après **3000 heures** les **roulements** des poulies d'entraînement doivent être **remplacés**.

Détection des pannes

Problème	Cause	Actions
Le moteur ne démarre pas	Pas de courant Interrupteur défectueux / Mauvais branchement	Vérifier l'alimentation courant et les branchements Contacter un distributeur agréé
Le moteur ne veut pas démarrer / est lent	Tension faible due à la longueur excessive ou pas assez suffisante de la rallonge Capaciteur de démarrage défectueux Interrupteur de marche défectueux Capaciteur de démarrage/de fonctionnement défectueux Moteur défectueux, faible tension	Utiliser une rallonge qui ne dépasse pas 101,6 cm en longueur. Contacter un distributeur agréé Contacter un distributeur agréé Contacter un distributeur agréé Contacter un distributeur agréé
Fusible / Disjoncteur coupe en permanence	Tension faible Mauvais branchement Moteur défectueux	Éliminer la rallonge. Localiser la source d'alimentation la plus proche de l'aire de travail. Faire vérifier la tension par un électricien qualifié. Contacter un distributeur agréé Contacter un distributeur agréé
La machine "sautille" pendant son fonctionnement	La pression de la tête n'est pas réglée comme il faut Pad défectueux/usagé Pad à surface inégale. Abrasif/ Abrasif en treillis déchiré, usagé ou installé de manière incorrecte	Régler l'écrou de pression de la tête correctement. Remplacer le pad défectueux. Le remplacer. Remplacer l'abrasif ou abrasif en treillis déchiré ou les installer correctement.
La machine tire à droite durant son fonctionnement.	La pression de la tête est trop serrée	Relâcher la pression de la tête. Voir Figure 17, page 8
La machine ne retient pas la comme il faut.	Le sac en papier est plein ou il n'est pas posé correctement sur l'orifice poussière d'aspiration Le filtre en tissu est obstrué	Remplacer le sac en papier de l'aspirateur en prenant garde à ce qu'il repose bien sur l'orifice. Enlever le filtre et nettoyez-le en soufflant avec de l'air à haute pression.
La machine pousse vers l'arrière lorsqu'elle fonctionne	Les pièces d'écartement excentrées sur les boutons manuels ne sont	Réglez-les de manière à ce que les repères pas posées correctement indiqués sur le châssis correspondent à l'orifice excentré vers l'avant de la machine. REMARQUE: Une fois réglées, les deux roulettes devraient tourner avec la même pression.

Ponçages et papiers abrasifs

PONÇAGE GENERAL

De par le fait que cette machine a été conçue pour un modèle de ponçage aléatoire, elle peut être manœuvrée dans toutes les directions. Nous vous conseillons cependant de la déplacer en permanence pendant qu'elle est en marche. Un mouvement en avant puis en arrière, puis sur une moitié constitue également un modèle de ponçage général.

PONÇAGE INITIAL

Le ponçage initial a pour but d'éliminer les anciens vernis, les grosses aspérités, ainsi que toute marque de ponçage faite avec une ponceuse à bande ou à tambour. Utilisez un grain abrasif grossier (40 à 60). Pour les cas extrêmes, vous pouvez travailler avec le 36.

FINITION

Le ponçage de finition a pour but d'éliminer toutes les griffures créées par le ponçage initial et toutes les coupures sur les bords. Utilisez un grain abrasif fin (80-100).

Si le parquet est encore rugueux en surface après la finition, il se peut qu'il soit nécessaire d'utiliser un grain abrasif plus fin ou un abrasif en treillis. Le pad utilisé avec un abrasif en treillis peut également l'être avec un papier abrasif fin pour obtenir la finition souhaitée. Choisissez avec soin le grain abrasif. Un grain fin referme les pores d'un plancher, ce qui fait que les tâches de s'imprégner plus difficilement.

Si des marques de lustration ou de brûlures apparaissent, cela signifie que l'abrasif est usé et doit être remplacé.

REMARQUE: Cette machine a été conçue pour un ponçage de finition. Vous pouvez cependant utiliser des abrasifs de 36 et 40 pour des applications spéciales.

GRAIN	USAGE	N°/PR.
36	Pour éliminer les aspérités importantes et restaurer la planéité de l'ancien plancher. Pour éliminer la peinture et les vernis accumulés et pour permettre un premier ponçage du plancher.	945630
40	Pour le premier ponçage d'un parquet neuf (chêne et érable). Pour éliminer les petites aspérités et vernis de l'ancien parquet.	945361
<u>60</u> Treillis 60	Pour éliminer les coupures produites par un ponçage initial avec un papier abrasif de 36.	945633
<u>80</u> Treillis 80	Pour la finition de certains planchers en bois. Pour éliminer les coupures produites par un abrasif de 60.	945634
<u>100</u> Treillis 100	Pour la finition de certains Planchers en bois et en conifère où une surface lisse est souhaitée.	945635

ACCESSOIRES

Pièce #	Description
674114	Tuyau, Aspiration 1½" X 10
682408	Adaptateur pour le tuyau d'aspiration 1½"
639804	Montage mural, courbé 1½"
638820	Outil, Feutre, shode 14"
638838	Outil, Brosse en soie, shode 15"

DISQUES ABRASIFS POUR PONCEUSE 3 D

Pièce #	Description
945630	BX (25) 3M 8" Disque Hookit #36
945631	BX (25) 3M 8" Disque Hookit #40
945633	BX (25) 3M 8" Disque Hookit #60
945634	BX (25) 3M 8" Disque Hookit #80
945635	BX (25) 3M 8" Disque Hookit #100

**DISQUES A STRUCTURE EN TREILLIS POUR
PONCEUSE 3 D**

Pièce #	Description
945624	CS(40)7 7/8"x3/16" Disque à structure en treillis #60
945625	CS(40)7 7/8"x3/16" Disque à structure en treillis #80
945626	CS(40)7 7/8"x3/16" Disque à structure en treillis #100

PADS POUR PONCEUSE 3 D

Pièce #	Description
945610	Bx(40)8"x2 ¾" Pad pour bordures

IMPORTANTE

Questo documento contiene istruzioni importanti per un uso sicuro della macchina. Leggere sempre questo manuale prima di usare o effettuare interventi di manutenzione sull'unità Clarke American Sanders per evitare di causare lesioni al personale e danni all'unità o ad altre attrezzature. La macchina deve essere utilizzata solo da personale debitamente qualificato. Se l'operatore non è in grado di comprendere l'inglese, sarà necessario spiegargli dettagliatamente il contenuto del manuale prima di autorizzarlo ad usare la macchina.

Tutte le istruzioni riportate in questo manuale devono essere interpretate guardando la macchina dal retro.

Per richiedere ulteriori copie del manuale, rivolgersi a: Clarke®, 2100 Highway 265, Springdale, Arkansas 72764

Sommario

Istruzioni per la sicurezza degli operatori	59
Descrizione dei simboli di pericolo	60
Introduzione e dati tecnici	61
Istruzioni per il collegamento della macchina alle reti elettriche da 230 V	62
Smontaggio e trasporto della macchina	63
Installazione della macchina	65
Istruzioni operative	66
Manutenzione	67
Operazioni di manutenzione eseguibili dall'utente	67
Operazioni di manutenzione eseguibili dai tecnici di manutenzione	67
Risoluzione dei problemi	68
Tagli di sabbiatura e carta abrasiva	69
Accessori	70

Sezione II – Parti di ricambio e Manuale per la manutenzione

Disegno di assieme 1	86
Parti illustrate nel disegno di assieme 1	87
Disegno di assieme 2	88
Parti illustrate nel disegno di assieme 2	89
Schema dei collegamenti elettrici	90

Italiano Corretto smaltimento del prodotto (rifiuti elettrici ed elettronici)

(Applicabile in i paesi dell'Unione Europea e in quelli con sistema di raccolta differenziata)











Il marchio riportato sul prodotto o sulla sua documentazione indica che il prodotto non deve essere smaltito con altri rifiuti domestici al termine del ciclo di vita. Per evitare eventuali danni all'ambiente o alla salute causati dall'inopportuno smaltimento dei rifiuti, si invita l'utente a separare questo prodotto da altri tipi di rifiuti e di riciclarlo in maniera responsabile per favorire il riutilizzo sostenibile delle risorse materiali.

Gli utenti domestici sono invitati a contattare il rivenditore presso il quale è stato acquistato il prodotto o l'ufficio locale preposto per tutte le informazioni relative alla raccolta differenziata e al riciclaggio per questo tipo di prodotto.

Gli utenti aziendali sono invitati a contattare il proprio fornitore e verificare i termini e le condizioni del contratto di acquisto. Questo prodotto non deve essere smaltito unitamente ad altri rifiuti commerciali.

ISTRUZIONI PER LA SICUREZZA DEGLI OPERATORI

PERICOLO:	il mancato rispetto delle indicazioni di PERICOLO affisse sulla macchina o contenute in questo manuale può provocare lesioni gravi o mortali al personale. Leggere e seguire sempre tutte le indicazioni di PERICOLO riportate nel Manuale per l'operatore e sulla macchina.
AVVERTENZA:	il mancato rispetto delle indicazioni AVVERTENZA affisse sulla macchina o contenute in questo manuale possono provocare gravi lesioni al personale. Leggere e seguire sempre tutte le indicazioni di AVVERTENZA riportate nel Manuale per l'operatore e sulla macchina.
ATTENZIONE:	il mancato rispetto delle indicazioni di ATTENZIONE affisse sulla macchina o contenute in questo manuale possono provocare lesioni minori, danni alla macchina o ad altre attrezzature. Leggere e seguire sempre tutte le indicazioni di ATTENZIONE riportate nel Manuale per l'operatore e sulla macchina.

-  **PERICOLO:** leggere sempre il Manuale per l'operatore prima di usare o effettuare interventi di manutenzione o riparazione, per evitare di causare lesioni al personale o danni alle attrezzature. La macchina deve essere utilizzata solo da personale debitamente qualificato. **Se l'operatore non è in grado di comprendere l'inglese, sarà necessario spiegargli dettagliatamente il contenuto del manuale prima di autorizzarlo ad usare la macchina.**
-  **PERICOLO:** l'uso di una macchina non perfettamente montata può provocare lesioni agli operatori e danni alle attrezzature. Verificare sempre di aver montato tutti i componenti prima di mettere la macchina in funzione. Verificare sempre che i dispositivi di fissaggio siano correttamente serrati. Eseguire tutti gli interventi di regolazione conformemente a quanto indicato nelle specifiche.
-  **PERICOLO:** materiali esplosivi. Rischio di lesioni gravi o mortali. La sabbatura e finitura di pavimenti in legno può comportare il rischio di esplosioni o incendi. Non usare la macchina in presenza di solventi, diluenti, alcol, combustibili, finiture per pavimenti, segatura o altri materiali infiammabili. I vapori e la segatura rilasciati durante le operazioni di sabbatura o finitura possono creare ambienti a rischio di esplosione. Spegnerne o evitare di usare accendisigari, luci pilota, scintille elettriche e ogni altro tipo di fiamma libera. Tenere l'area di lavoro ben ventilata.
-  **PERICOLO:** la polvere che viene prodotta durante la sabbatura dei pavimenti può incendiarsi o esplodere spontaneamente. Gettare immediatamente tutta la polvere risultante dalla sabbatura in un contenitore metallico privo di combustibili. Non incenerire la polvere.
-  **PERICOLO:** non eseguire interventi di manutenzione mentre la macchina è collegata alla rete elettrica per evitare il rischio di scosse elettriche. Scollegare sempre la macchina dall'alimentazione elettrica prima di eseguire interventi di manutenzione. Rimuovere sempre la spina elettrica dalla presa a muro prima di sostituire il cuscinetto della spazzola o altri accessori. Scollegare sempre la macchina dall'alimentazione elettrica prima di allontanarsi dalla macchina.
-  **PERICOLO:** non usare la macchina se il cavo elettrico danneggiato per evitare il rischio di scosse elettriche. Tenere il cavo di alimentazione lontano dal cuscinetto. Collocare sempre il cavo di alimentazione sopra alla macchina. Non movimentare la macchina tirandola dal cavo di alimentazione.
-  **PERICOLO:** non collegare la macchina a un circuito sprovvisto di idonea messa a terra per evitare il rischio di scosse elettriche. Verificare che la macchina sia collegata a un impianto elettrico trifase con idonea messa a terra. Non rimuovere o disattivare il conduttore di messa a terra sul cavo di alimentazione. Se il conduttore di messa a terra non è presente o si sospetta che non funzioni correttamente, rivolgersi a un elettricista qualificato.
-  **PERICOLO:** tenere mani, piedi e indumenti larghi a distanza di sicurezza da tutte le parti mobili della macchina. Scollegare sempre la macchina dall'alimentazione prima di sostituire il cuscinetto o il disco abrasivo o prima di effettuare interventi di manutenzione. Utilizzare la macchina solo in posizione verticale, dopo aver verificato che il gruppo di sabbatura sia a contatto con il pavimento. Non allontanarsi mai dalla macchina se è collegata alla rete elettrica.

- AVVERTENZA:** pericolo di scosse elettriche. I componenti elettrici della macchina possono provocare cortocircuiti se esposti all'acqua o all'umidità. Verificare sempre che tutti i componenti elettrici siano asciutti. Asciugare sempre la macchina dopo l'uso. Custodire la macchina in un locale asciutto.
- AVVERTENZA:** il mancato uso di indumenti o dispositivi di sicurezza può provocare lesioni. Indossare sempre occhiali e indumenti protettivi, e una mascherina anti-polvere durante le operazioni di sabbatura.
- AVVERTENZA:** modifiche non autorizzate alla macchina possono provocare danni alla stessa o lesioni agli operatori o ad altre persone. Modifiche non autorizzate dal produttore possono rendere nulla la garanzia e le responsabilità del produttore stesso.
- AVVERTENZA:** il mancato rispetto di tutte le indicazioni riportate sulle etichette e nelle istruzioni può provocare lesioni agli operatori o danni alla macchina. Leggere tutte le etichette riportate sulla macchina prima di metterla in funzione. Verificare che tutte le etichette e le istruzioni siano saldamente fissate alla macchina. Sostituire immediatamente tutte le etichette o le targhe difettose ordinandole da un distributore autorizzato.
- AVVERTENZA:** la macchina è pesante. Il mancato uso di una procedura di sollevamento idonea può provocare lesioni all'operatore o alle persone presenti. Chiedere sempre aiuto per sollevare la macchina..

Esplosione



Parti in movimento



Oggetto pesante



Scosse elettriche



Protezione degli occhi



Leggere il Manuale per l'operatore



Descrizione dei simboli di pericolo

Il mancato rispetto delle istruzioni contenute nel manuale può provocare lesioni agli operatori e danni alla macchina.



Il simbolo della fiamma indica che il materiale può incendiarsi e provocare incendi.



Il simbolo dell'uomo che ha preso una scossa indica il pericolo di scosse elettriche. Tali scosse possono provocare lesioni gravi o mortali.



Questo simbolo evidenzia i pericoli connessi a parti mobili della macchina. Il contatto con queste parti può provocare lesioni.



Il simbolo di un uomo che indossa occhiali di protezione indica che è necessario indossare gli occhiali durante le operazioni.



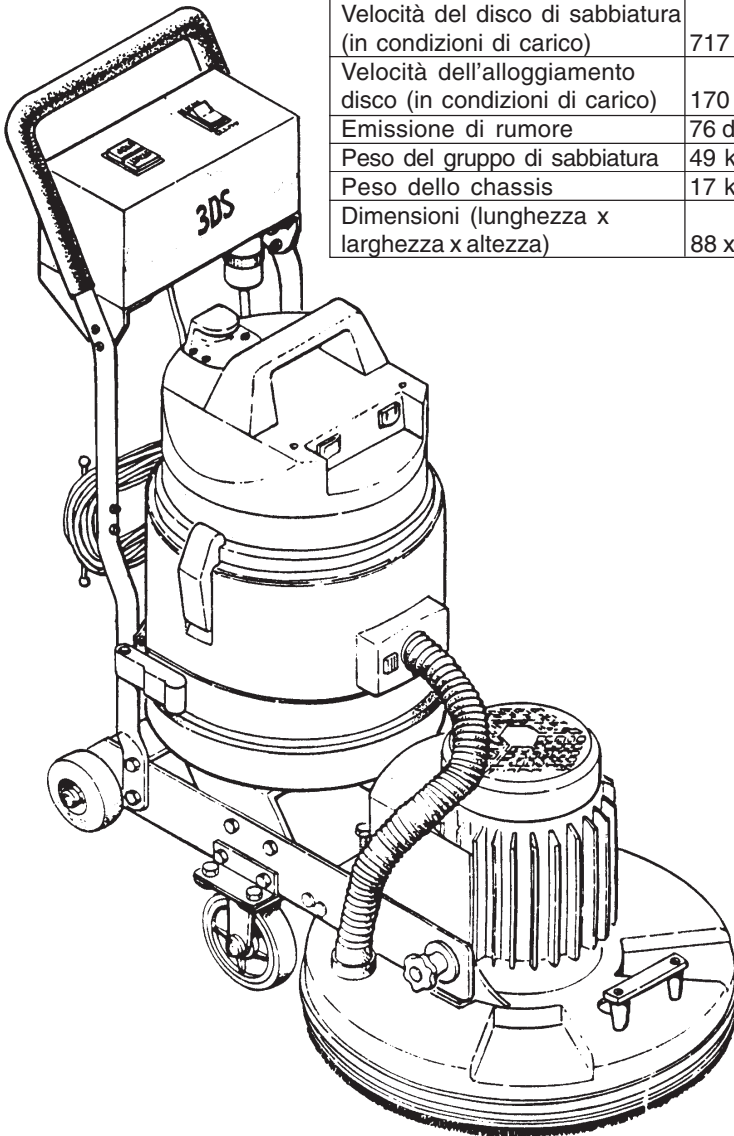
Il simbolo di un uomo che solleva qualcosa indica che è necessario adottare idonee misure per sollevare la macchina ed evitare il rischio di lesioni.

Introduzione e dati tecnici

La sabbatrice 3DS è progettata per essere usata per la finitura di precisione di pavimenti in legno massello. La finitura permette di ottenere una superficie più liscia e allineata nonché di rimuovere le imperfezioni create dal tamburo o il cuscinetto durante il processo di sabbatura. La macchina non deve mai essere usata su superfici bagnate.

DATI TECNICI DELLA MACCHINA

Codice prodotto	07082C	07112A (UK)	07085C (EU)
Sistema di aspirazione	Con sistema di aspirazione		
Peso	74 kg (163 libbre)		
Peso di trasporto	106 kg (234 libbre)		
Tipo di macchina	Sabbatrice a secco con 3 dischi		
Motore	3 Hp, monofase	2,2kW, monofase	
Tensione	230 V		
Frequenza	60 Hz	50 Hz	
Cavo di alimentazione	40' 12-3 SJO	15m HO7RN-F3G1.50	
Potenza	11,5A		
Protezione contro i sovraccarichi	Interruttore automatico da 15 A		
Classe di isolamento del motore	F		
Diametro di lavoro	48 cm (18,75")		
Diametro del disco di sabbatura	203 mm (8")		
Velocità del disco di sabbatura (in condizioni di carico)	717 rpm		
Velocità dell'alloggiamento disco (in condizioni di carico)	170 rpm		
Emissione di rumore	76 dBA		
Peso del gruppo di sabbatura	49 kg (109 libbre)		
Peso dello chassis	17 kg (37 libbre)		
Dimensioni (lunghezza x larghezza x altezza)	88 x 51 x 100 cm (35" x 20" x 39.5")		



Istruzioni per la messa a terra - 230 Volt

MACCHINE DA 230 VOLT ISTRUZIONI PER LA CONNESSIONE DELLA MACCHINA ALLA RETE DI ALIMENTAZIONE E ALLA MESSA A TERRA

ATTENZIONE: per evitare di danneggiare la macchina, utilizzarla solo con la frequenza e la tensione CA mostrate sulla targhetta. Prima di collegare la macchina alla presa elettrica, controllare sempre che la frequenza e la tensione corrispondano.

La macchina deve sempre essere collegata a un'ideale messa a terra. In caso di problemi di funzionamento o guasti, la messa a terra fornisce un percorso con una resistenza più bassa utile a limitare il rischio di scosse elettriche. Questa macchina è munita di un cavo di alimentazione con conduttore e spina di messa a terra. Verificare che la spina sia inserita in una presa elettrica idonea con messa a terra, conformemente a quanto stabilito dalle norme e dai regolamenti locali.

AVVERTENZA: un collegamento improprio del connettore di messa a terra della macchina può provocare il rischio di scosse elettriche. In caso di dubbi sulla messa a terra, rivolgersi sempre a un elettricista qualificato. Non modificare la spina fornita con la macchina. Se la spina non può essere inserita nella presa elettrica, chiedere ad un elettricista qualificato di installarne una idonea.

La macchina è progettata per essere usata con una tensione nominale di 230 V e dispone di una presa di messa a terra simile a quella mostrata alla Figura 1. Verificare che la macchina sia collegata a una presa a muro con la stessa configurazione della spina. La macchina non richiede l'uso di adattatori.

Collegare sempre la macchina a una messa a terra elettrica per proteggere gli operatori da possibili scosse elettriche. La macchina è munita di un cavo di alimentazione con due conduttori principali e un conduttore di messa a terra. Collegare la spina alla presa a muro. Il conduttore verde o verde-giallo nel conduttore è il filo di messa a terra. Verificare che questo filo venga collegato solo al morsetto di messa a terra.

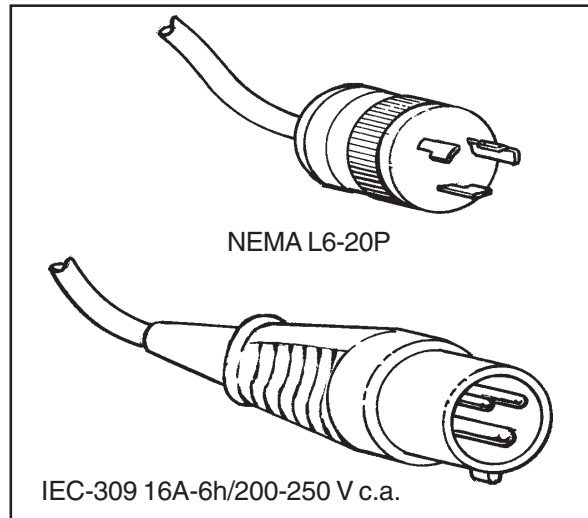


Figura 1

AVVERTENZA: per evitare il rischio di scosse elettriche, verificare sempre che la macchina sia collegata a un sistema elettrico con conduttore trifase CA e messa a terra. Sostituire immediatamente il cavo di alimentazione, se danneggiato o tagliato. Sostituire tutte le spine, prese a muro o connettori danneggiati. Non movimentare la macchina tirandola per il cavo di alimentazione. Collocare sempre il cavo di alimentazione sopra alla macchina.

PROLUNGHE

Usare solo prolunghe approvate con due conduttori principali e un conduttore di messa a terra. Il cavo di alimentazione della macchina ha fili di dimensioni pari a 12 AWG o 2,5mm².

AVVERTENZA: per evitare di bruciare il motore quando si utilizza una prolunga, usare solo prolunghe con fili di dimensioni pari a 10 AWG o 4,0 mm². Non usare prolunghe di lunghezza superiore a 15 metri (40 piedi). Non unire le prolunghe.

AVVERTENZA: non tagliare, rimuovere o rompere il morsetto di messa a terra per evitare il rischio di scosse elettriche. Non tentare di inserire la spina con tre morsetti in prese a muro o connettori non adatti. Se la spina o il connettore non sono di dimensioni adatte, rivolgersi al distributore Clarke American Sanders per richiedere l'assistenza di un tecnico qualificato.

Smontaggio e trasporto della macchina

Per smontare la macchina, seguire la procedura descritta di seguito.

1. Scollegare il cavo di alimentazione dalla presa a muro e riavvolgerlo.

AVVERTENZA: l'esecuzione di operazioni di manutenzione, sostituzione degli abrasivi o svuotamento della sacca di raccolta polvere con la macchina ancora collegata alla rete elettrica può provocare gravi lesioni agli operatori o alle altre persone presenti.

2. Scollegare il cavo di alimentazione, il cavo del motore e il gruppo di aspirazione dalla scatola elettrica.
3. Scollegare il tubo di aspirazione dal gruppo di sabbatura.
4. Rimuovere entrambe le manopole del gruppo di sabbatura e staccare il gruppo di sabbatura dal telaio. Vedere la Figura 2.

AVVERTENZA: il gruppo di sabbatura è pesante (109 libbre). Per prevenire lesioni agli operatori o danni alla macchina, afferrarla sempre in modo stabile e utilizzare una procedura di sollevamento idonea. Richiedere assistenza se necessario.



5. Utilizzare sempre i punti di sollevamento per sollevare il gruppo di sabbatura. Vedere la Figura 3.
6. Estrarre il cavo del gruppo di aspirazione dallo scomparto sulla maniglia e collocarlo sopra alla testa di aspirazione.
7. Scollegare le fascette del gruppo di aspirazione sganciando l'apposita chiusura. A questo punto è possibile sollevare il gruppo di aspirazione dallo chassis. Vedere la Figura 4.
8. Per rimuovere la maniglia, è necessario prima rimuovere i quattro bulloni da 5/16-18" e i dadi che consentono di bloccare la macchina al telaio del veicolo.
9. Riporre tutti i componenti in modo sicuro per evitare di danneggiare la macchina durante il trasporto.

Movimentazione della macchina (spostamento in un'area diversa)

Per spostare la macchina su brevi distanze (da stanza a stanza), è sufficiente inclinarla leggermente fino a portare a contatto le ruote del diametro di 4" con il pavimento. Applicando una pressione costante sull'impugnatura, spostarla nella posizione desiderata. Vedere la Figura 5.

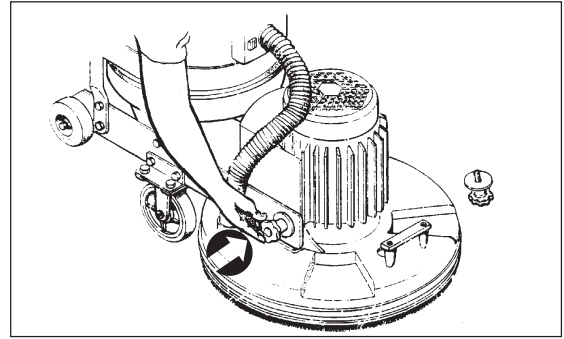


Figura 2

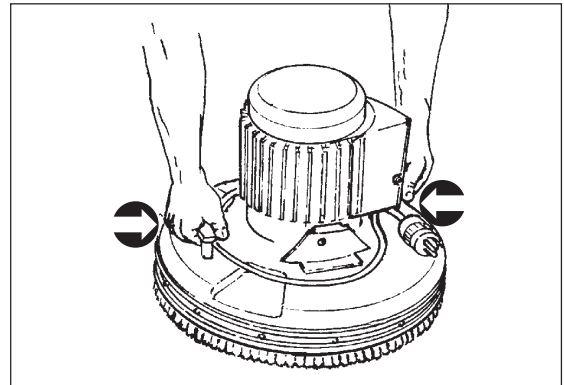


Figura 3

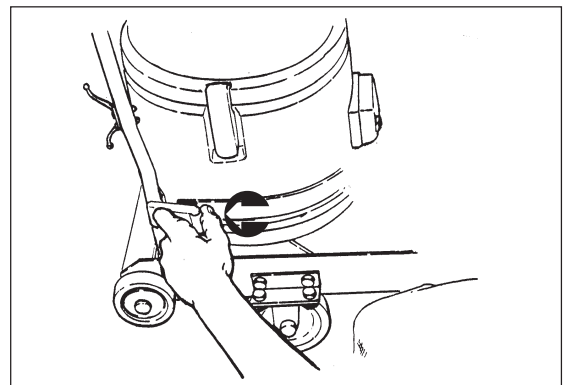


Figura 4

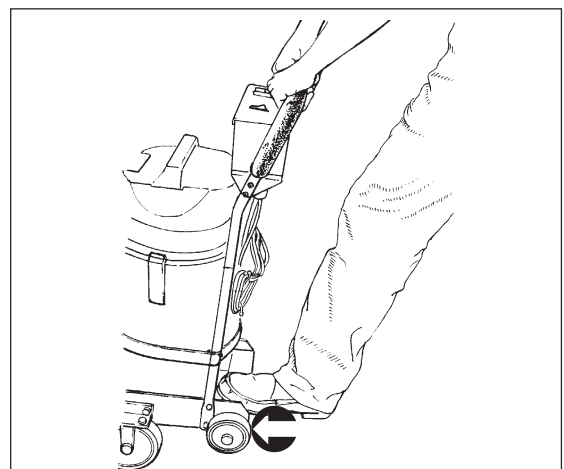


Figura 5

Installazione della macchina

Di seguito sono elencati gli utensili necessari per installare la macchina. 1 – Cacciavite Phillips n. 2
Chiavi da 2 - ½" aperte o (2) chiavi regolabili.

Per preparare la macchina all'uso, seguire la procedura descritta di seguito.

1. Rimuovere tutti i componenti dalla confezione e verificare che non ci siano componenti mancanti o danneggiati.
2. Leggere i manuali per l'uso e la manutenzione, comprese tutte le indicazioni di pericolo, avvertenza e attenzione prima di usare la macchina. Se l'operatore non è in grado di leggere il manuale, spiegarli il funzionamento della macchina prima di autorizzarlo ad usarla.
3. Fissare la sabbiatrice al telaio del veicolo serrando le due maniglie per bloccare la sabbiatrice al telaio. Vedere la Figura 6. Usare la camma eccentrica del telaio del veicolo per allineare la sabbiatrice al telaio. Apporre dei segni sui distanziatori e il telaio: uno a destra e due a sinistra.
4. Passare il cavo di alimentazione del motore sotto alle fascette di pressurizzazione motore e al supporto del gruppo di aspirazione, quindi passarlo sopra alla fascetta di ribaltamento.
5. Fissare la maniglia al telaio del veicolo utilizzando i quattro bulloni da 5/16-18 e i dadi in nyloc forniti, quindi montare il cavo di alimentazione del motore. Vedere la Figura 7. Serrare i dadi che fissano le ruote di ribaltamento in posizione, quindi montare le fascette di supporto del gruppo di aspirazione, come mostrato nella Figura 7.
6. Montare il filtro in Dacron sul filtro in tessuto. Vedere la Figura n. 8.
7. Montare il gruppo di aspirazione sulle apposite fascette, verificando che la parte centrale inferiore sia allineata al foro da 2". **NOTA:** verificare che l'apertura del tubo di aspirazione sia rivolta verso il motore della sabbiatrice. Collegare la fascetta del gruppo di aspirazione alla base del gruppo. Vedere la Figura 9.
8. Viene fornita anche una sacca in carta monouso. Per usare questa sacca, rimuovere la testa del gruppo di aspirazione e montare la sacca di raccolta polvere inserendo il deflettore del gruppo di aspirazione nella base di montaggio sulla sacca. La sacca è montata correttamente sul deflettore se la tenuta in gomma è inserita nella scanalatura del deflettore. Vedere la Figura 10. **NOTA:** dopo il trasporto, verificare sempre che la sacca sia nella posizione corretta. Un posizionamento improprio della sacca potrebbe causare l'ingresso di polvere nel serbatoio di aspirazione.
9. Inserire il cavo di alimentazione del gruppo di aspirazione nello scomparto sul retro della maniglia. Verificare che la lunghezza del cavo sia sufficiente a consentire il collegamento alla scatola comandi. Spostare l'interruttore di accensione del gruppo di aspirazione su "ON" e verificare che rimanga in questa posizione. Vedere la Figura 11.

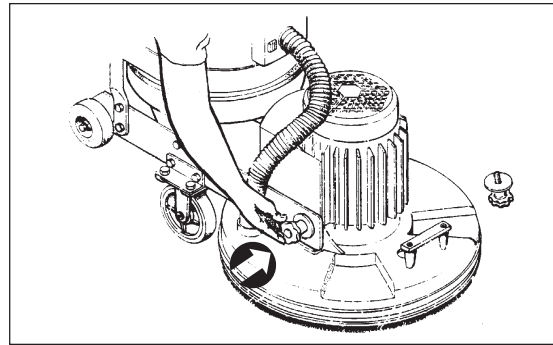


Figura 6

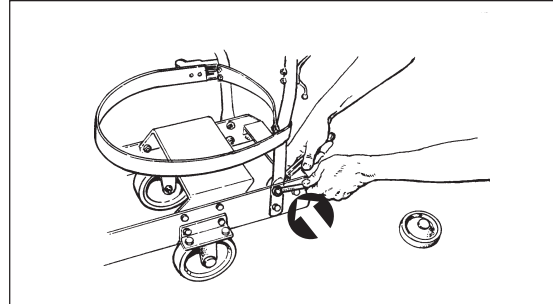


Figura 7



Figura 8

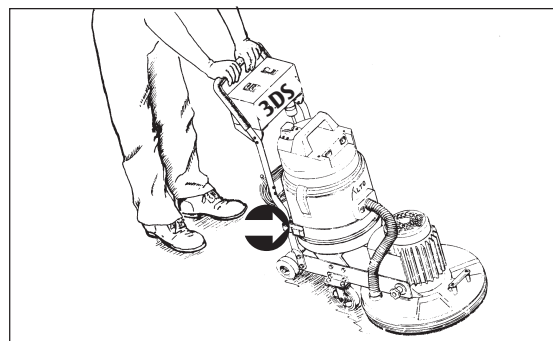


Figura 9

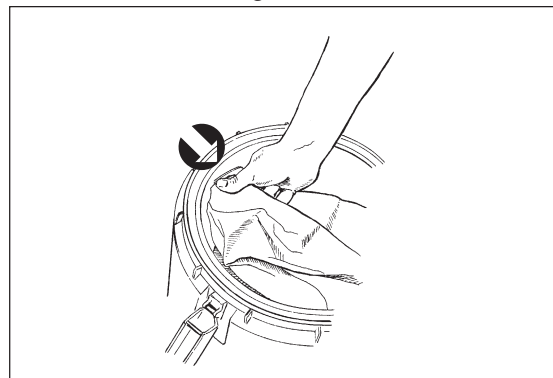


Figura 10

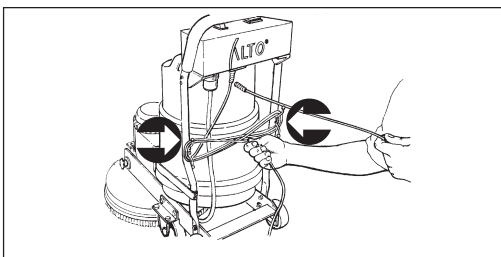


Figura 11

Installazione della macchina (continua)

AVVERTENZA: il ribaltamento o la caduta della macchina durante la sostituzione del cuscinetto o dell'abrasivo può provocare lesioni agli operatori o alle altre persone presenti.

AVVERTENZA: non avviare mai la macchina mentre è ribaltata. L'avvio della macchina durante la sostituzione del disco abrasivo può provocare gravi lesioni.

ATTENZIONE: la caduta della macchina mentre è in posizione ribaltata può provocare danni alla testa di sabbiatura.

ATTENZIONE: l'uso della macchina senza carta abrasiva o disco abrasivo può provocare gravi danni. Verificare sempre che lo spessore del cuscinetto sia almeno pari a 1/8", per non danneggiare il cuscinetto stesso.

10. Montare o sostituire la carta abrasiva o il cuscinetto del disco abrasivo. La carta abrasiva o il cuscinetto devono sempre essere sostituiti se presentano rotture o usurati. Il cuscinetto deve sempre essere sostituito se il suo spessore è inferiore a 1/8". Per montare o sostituire la carta abrasiva o il disco abrasivo, seguire la procedura descritta di seguito. Vedere la Figura 12.

PERICOLO: scollegare la macchina dalla rete elettrica. La sostituzione della carta o dei dischi abrasivi o lo svuotamento della sacca di raccolta della polvere con la macchina collegata alla rete elettrica può generare scosse elettriche.



a.) Scollegare la macchina dall'alimentazione e spostare il cavo di alimentazione.

b.) Capovolgere la macchina premendo la fascetta di ribaltamento con un piede e spingendo contemporaneamente la maniglia verso il basso. Vedere la Figura 13.

c.) Rimuovere il piede dalla fascetta di ribaltamento e continuare a spingere la maniglia verso il basso fino a portarla all'altezza della maniglia e delle ruote di ribaltamento. Vedere la Figura 14.

d.) Per rimuovere la carta o il disco abrasivo esistenti, posizionarsi al lato della macchina e tirare una delle estremità della carta o del disco. In alcuni casi è necessario prima rimuovere il perno di spinta in plastica dalla sezione centrale della protezione per poter rimuovere la protezione stessa. Vedere la Figura 15.

e.) Centrare il nuovo foglio di carta abrasiva, il nuovo disco o il nuovo cuscinetto rispetto al dispositivo di azionamento del cuscinetto, quindi spingerli contro il dispositivo fino a bloccarli in posizione con gli appositi ganci.

AVVERTENZA: la macchina è pesante. Allontanare tutte le persone presenti per evitare che possano infortunarsi in caso di ribaltamento o caduta della macchina. Ribaltare la macchina con estrema cautela, per evitare di provocare infortuni agli operatori o alle altre persone presenti.

f.) Riportare la macchina in posizione verticale, posizionandosi dietro alla maniglia e sollevando la macchina dal pavimento fino a portare a contatto le ruote con il pavimento. Premere con il piede la fascetta di ribaltamento e appoggiare la sabbiatrice sul pavimento.

11. Collegare il tubo di aspirazione alla sabbiatrice e al gruppo di aspirazione.

12. Collegare il cavo di alimentazione alla scatola comandi.

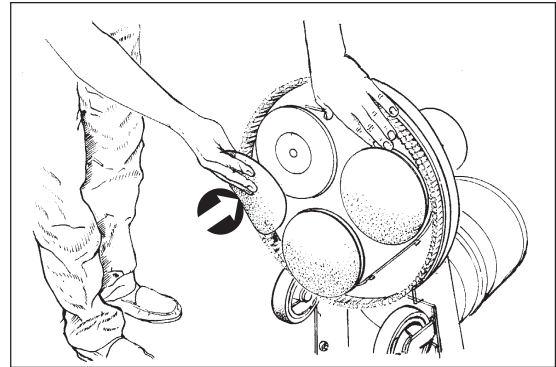


Figura 12



Figura 13

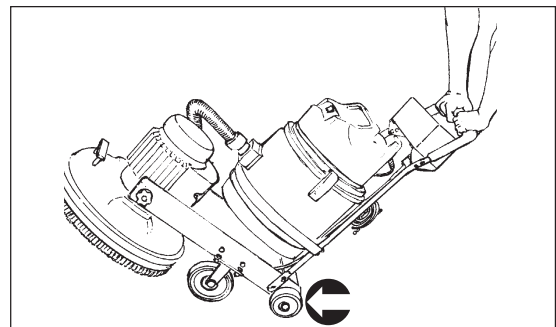


Figura 14

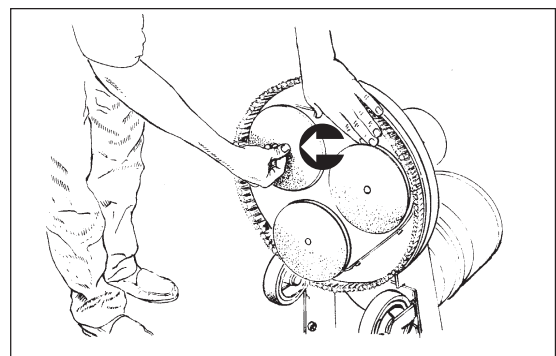


Figura 15

Istruzioni operative – Sabbatura

Per usare la macchina, seguire la procedura descritta di seguito.

1. Spostare la macchina nell'area da lavorare. Tenersi a distanza dalla presa a muro, per evitare di danneggiare il cavo di alimentazione e di doverlo spostare continuamente.

NOTA: per informazioni sui tagli e la carta abrasiva, vedere la pagina 13.

AVVERTENZA: il montaggio o la sostituzione dei dischi abrasivi mentre la macchina è collegata alla rete elettrica può provocare infortuni. Scollegare sempre la macchina dalla rete elettrica prima di montare i dischi abrasivi.

2. Montare il disco abrasivo. Seguire la procedura descritta nella sezione **INSTALLAZIONE DELLA MACCHINA** per montare la carta abrasiva o il disco/cuscinetto. Vedere la pagina 5.

PERICOLO: non collegare la macchina a un circuito sprovvisto di idonea messa a terra per evitare il rischio di scosse elettriche. Verificare che la macchina sia collegata a un impianto elettrico trifase con idonea messa a terra. Non rimuovere o disattivare il conduttore di messa a terra sul cavo di alimentazione. Se il conduttore di messa a terra non è presente o si sospetta che non funzioni correttamente, rivolgersi a un elettricista qualificato.



3. Allentare la testa fino ad allontanare il piedino in gomma dalla struttura. Vedere la Figura 16. Serrare fino a portare a contatto il piedino in gomma con la struttura principale. Dopo la regolazione iniziale, è possibile impostare l'altezza di lavoro in base al tipo di sabbatura da effettuare.

4. Collegare il cavo di alimentazione della macchina a un impianto elettrico munito di fusibili e di idonea messa a terra.

5. Posizionarsi dietro alla maniglia, spostare il selettore su "Automatico" e premere l'interruttore verde di avvio. Per arrestare la macchina, premere il pulsante rosso di arresto. Vedere la Figura 17.

ATTENZIONE! tenere sempre la macchina in movimento mentre il motore è in funzione, per evitare di danneggiare il pavimento e di surriscaldare la macchina.

6. Verificare che l'operatore si muova se la macchina è in funzione. L'operazione di sabbatura può essere effettuata in qualunque direzione.

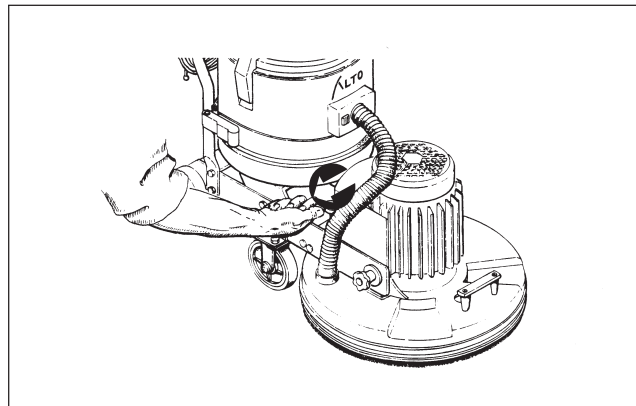


Figura 16

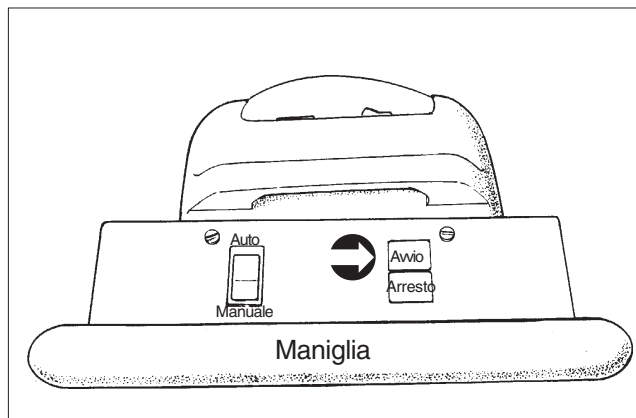


Figura 17

Manutenzione

Operazioni di manutenzione eseguibili dall'utente

Sostituire le sacche di carta almeno ogni 3 ore. Le sacche possono dover essere sostituite con maggiore frequenza quando si lavorano pavimenti in legni morbidi. **NOTA:** prima di sostituire le sacche, pulire la macchina con aspirapolvere per rimuovere tutte le tracce di polvere. Pulire anche il filtro in tessuto. **(Per istruzioni su come pulire il filtro in tessuto, leggere le istruzioni contenute nel Manuale per l'utente DTV-7.**

Durante la sostituzione della carta o dischi abrasivi, ispezionare anche l'elemento in schiuma o "velcro" sui cuscinetti per verificare che sia integro e non presenti segni di usura.

Operazioni di manutenzione eseguibili dai tecnici della manutenzione

La sabbiatrica 3DS deve essere ispezionata ogni **600 ore**. **Questa operazione deve essere effettuata da un tecnico specializzato o dal Centro di assistenza.** I recapiti dei Centri di assistenza sono riportati all'interno della pagina di copertina del Manuale per l'operatore.

L'ispezione deve comprendere le seguenti operazioni:

1. Verifica e/o sostituzione delle spazzole e del commutatore del motore di aspirazione (**vedere il Manuale per l'operatore corrispondente**).
2. Ispezione degli anelli di tenuta sui cuscinetti di sabbatura. Tutti gli anelli di tenuta danneggiati o usurati devono essere sostituiti.
3. Ispezione dell'elemento in schiuma sui cuscinetti di sabbatura. Tutti gli elementi danneggiati o usurati devono essere sostituiti.
4. Ispezione della trasmissione. Cinghie, pulegge e albero motore devono essere sostituiti se danneggiati.
5. Rimozione della polvere dal motore di aspirazione.
6. Pulizia del filtro del gruppo di aspirazione con un panno.

Devono inoltre essere effettuate le seguenti operazioni:

1. Ogni **1500 ore**: sostituzione **della cinghia della trasmissione** .
2. Ogni **3000 ore**: sostituzione **dei cuscinetti** sulle pulegge della trasmissione .

Risoluzione dei problemi

Problema	Causa	Azione correttiva
Il motore non si avvia.	Assenza di alimentazione.	Controllare la rete elettrica e i collegamenti elettrici.
	Interruttore/collegamenti difettosi.	Rivolgersi a un distributore autorizzato.
Il motore non si avvia/gira a velocità di ridotta.	Tensione bassa dovuta a una prolunga lunghezza	Usare una prolunga 12 Ga., non superiore a troppo lunga o corta. 40 piedi.
	Il condensatore di avvio è difettoso.	Rivolgersi a un distributore autorizzato.
	Interruttore di avvio difettoso.	Rivolgersi a un distributore autorizzato.
	Il condensatore di avvio/funzionamento è difettoso. Motore difettoso, tensione bassa	Rivolgersi a un distributore autorizzato. Rivolgersi a un distributore autorizzato.
Il fusibile/l'interruttore automatico scatta continuamente.	Tensione bassa	Rimuovere la prolunga. Cercare una presa vicino all'area di lavoro. Fare controllare la tensione a un elettricista qualificato.
	Collegamento improprio.	Rivolgersi a un distributore autorizzato.
	Motore difettoso.	Rivolgersi a un distributore autorizzato.
La macchina funziona in modo intermittente.	La pressione della testa non è stata impostata correttamente.	Regolare il bullone della pressione della testa su un valore corretto.
	Cuscinetto sabbiatura difettoso/usurato.	Sostituire il cuscinetto difettoso.
	Cuscinetti non allineati.	Sostituire i cuscinetti difettosi.
	Carta abrasiva/disco abrasivo tagliati, usurati o montati in modo improprio.	Sostituire la carta abrasiva/il disco abrasivo o montarli correttamente.
La macchina tende a spostarsi a destra.	La pressione della testa è troppo alta.	Ridurre l'impostazione della pressione della testa. Vedere la Figura 17 a pagina 8.
La macchina non aspira correttamente la polvere.	La sacca di raccolta polvere è piena o non è stata fissata correttamente all'ingresso gruppo di aspirazione.	Rimontare la sacca di raccolta polvere e fissarla all'ingresso del gruppo di aspirazione.
	Il filtro in tessuto è ostruito.	Rimuovere il filtro in tessuto e pulirlo con aria compressa ad alta pressione.
La macchina tende a spostarsi all'indietro.	I distanziatori eccentrici sulle maniglie non sono impostati correttamente.	Allineare i distanziatori eccentrici con i contrassegni sul telaio, verificando che il foro del distanziatore eccentrico sia rivolto verso il lato anteriore della macchina. NOTA: dopo la regolazione, entrambe le ruote devono ruotare quando si applica la stessa pressione.

Tagli di sabbatura e carta abrasiva

TAGLI GENERALI

Poiché la macchina è progettata per eseguire i tagli in modo casuale, è possibile spostarla in qualunque direzione, ricordandosi però di tenere sempre la macchina in movimento. Generalmente, è sufficiente fare un movimento in avanti seguito da un movimento all'indietro.

TAGLIO INIZIALE

Lo scopo del taglio iniziale è quello di rimuovere la finitura precedente, le imperfezioni grossolane della superficie e i segni lasciati dal nastro/tamburo della sabbatrice sulla superficie. Per questa operazione è necessario usare un disco abrasivo a grana grossa (40-60 grit). Nei casi più estremi è possibile usare anche dischi abrasivi da 36 grit.

TAGLI FINALI

Lo scopo del taglio finale è quello di rimuovere i graffi lasciati dal taglio iniziale e dal taglio dei bordi. Per questa operazione è necessario usare un disco abrasivo a grana fine (80-100 grit).

Se la superficie continua a presentare irregolarità dopo il taglio finale, è necessario usare una carta o un disco abrasivo più fini. Per ottenere la finitura desiderata, è possibile anche usare il cuscinetto insieme alla carta abrasiva. Selezionare l'abrasivo con molta cura. L'uso di abrasivi molto fini permette di chiudere i pori del pavimento in legno e di prevenire le macchie.

Se si notano segni di bruciature o smaltatura, il disco abrasivo è usurato e deve essere sostituito.

NOTA: la macchina è progettata per essere usata per le operazioni di sabbatura di precisione. Tuttavia, può anche essere usata con carta abrasiva da 36 e 40 per applicazioni speciali.

GRANA	USO	CODICE
36 grit	Per la rimozione di imperfezioni grossolane e ripristinare il livellamento di pavimenti esistenti. Per rimuovere tracce di vernici e smalti, nonché il primo strato di sabbatura dai pavimenti nuovi.	945630
40 grit	Per la sabbatura iniziale di pavimenti nuovi (acero e quercia). Per la rimozione di piccole imperfezioni e per la finitura di pavimenti esistenti.	945361
<u>60 grit</u> Maglia da 60 grit	Per la rimozione delle imperfezioni 36 risultanti dal taglio iniziale.	945633
<u>80 grit</u> Maglia da 80 grit	Per la sabbatura finale di alcuni tipi di legni in massello. Per la pulizia dei residui risultanti dalle operazioni di taglio (60 grit).	945634
<u>100 grit</u> Maglia da 100 grit	Per la sabbatura finale di alcuni tipi di superfici in legno massello e conifere, che devono presentare una finitura uniforme.	945635

ACCESSORI

Codice	Descrizione
674114	Tubo, gruppo di aspirazione 1½" X 10
682408	Adattatore per tubo di aspirazione, 1½"
639804	Asta, curva 1 ½"
638820	Utensile, feltro, Shod 14"
638838	Utensile, setole, Shod 15"

DISCHI ABRASIVI PER SABBIATRICI A 3 DISCHI

Codice	Descrizione
945630	BX (25) 3M 8" Hookit, disco 36
945631	BX (25) 3M 8" Hookit, disco 40
945633	BX (25) 3M 8" Hookit, disco 60
945634	BX (25) 3M 8" Hookit, disco 80
945635	BX (25) 3M 8" Hookit, disco 100

DISCHI A MAGLIA PER SABBIATRICI A 3 DISCHI

Codice	Descrizione
945624	CS(40)7 7/8"x3/16", disco a maglia 60
945625	CS(40)7 7/8"x3/16", disco a maglia 80
945626	CS(40)7 7/8"x3/16", disco a maglia 100

CUSCINETTI PER SABBIATRICI A 3 DISCHI

Codice	Descrizione
945610	Bx(40)8"x2 ¾", cuscinetto per finitura angoli

ПРОЧТИТЕ ЭТУ ДОКУМЕНТАЦИЮ

⚠ ВНИМАНИЕ: Прочтите руководство по эксплуатации перед использованием устройства.

Эта книга содержит важную информацию об использовании и надежном управлении этой машиной. Если не прочесть эту книгу перед использованием машины Clarke American Sanders, то можно нанести вред себе или другому персоналу. Это может также привести к поломке самой машины или другого имущества. Перед эксплуатацией машины необходимо обучиться ее использованию. Если Ваш оператор(ы) не может прочесть эту инструкцию, полностью объясните ему содержание этой инструкции перед эксплуатацией машины.

Все инструкции, приведенные в этой книге, рассматриваются с позиции оператора позади машины.

За новыми книгами пишите по адресу: Clarke® , 2100 Highway 265, Springdale, Arkansas 72764.

Содержание

Правила техники безопасности оператора	73
Условные обозначения знаков, предупреждающих об опасности ..	74
Введение и технические характеристики машины	75
Указания по подключению к электросети 230 В	76
Прекращение работы машины/транспортировка	77
Установка машины	79
Инструкции по эксплуатации	80
Техническое обслуживание и ремонт	81
Техническое обслуживание пользователем	81
Эксплуатационная поддержка	81
Нахождение и устранение неисправностей	82
Шлифовальные проходы и наждачная бумага	83
Приспособления	84
Часть II Детали и руководство по техническому обслуживанию	
Сборочный чертёж #1	86
Перечень компонентов устройства #1	87
Сборочный чертёж #2	88
Перечень компонентов устройства #2	89
Описание электрической схемы	90

ПРАВИЛА ТЕХНИКИ БЕЗОПАСНОСТИ ОПЕРАТОРА

ОПАСНО означает: Сильные телесные повреждения или смерть могут иметь место тогда, если пометки **ОПАСНО**, найденные на машине или в этом руководстве по эксплуатации, не будут соблюдаться или игнорироваться. Прочтите и придерживайтесь всех положений **ОПАСНО**, которые написаны в руководстве пользователя и на машине.

ПРЕДУПРЕЖДЕНИЕ означает: Сильные телесные повреждения могут иметь место тогда, если пометки **ПРЕДУПРЕЖДЕНИЕ**, найденные на машине или в этом руководстве по эксплуатации, не будут соблюдаться или игнорироваться. Прочтите и придерживайтесь всех положений **ПРЕДУПРЕЖДЕНИЕ**, которые написаны в руководстве пользователя и на машине.

ПРЕДОСТЕРЕЖЕНИЕ означает: Незначительные телесные повреждения, поломка Вашей машины или повреждения другой собственности могут иметь место, если пометки **ПРЕДОСТЕРЕЖЕНИЕ**, найденные на машине или в этом руководстве по эксплуатации, не будут соблюдаться или игнорироваться. Прочтите и придерживайтесь всех положений **ПРЕДОСТЕРЕЖЕНИЕ**, которые написаны в руководстве пользователя и на машине.



ОПАСНО

Если не прочесть эту инструкцию перед использованием или попыткой проведения любой процедуры ремонта или ухода машины, то можно нанести вред себе или другому персоналу; это может также привести к поломке самой машины или другого имущества. Перед эксплуатацией машины необходимо обучиться ее использованию. **Если Вы не владеете английским языком, пусть, перед эксплуатацией машины, Вам полностью объяснят содержание этой инструкции.**



ОПАСНО:

Эксплуатация, не полностью собранной машины, может привести к травмам или поломке собственности. Не используйте машину, пока она не будет полностью собрана. Все соединения должны быть плотно закреплены. Вся установка должна быть проведена в соответствии с техническими требованиями к машине.



ОПАСНО:



Взрывчатые вещества: могут иметь место серьезные телесные повреждения или смерть. Шлифование/отделка деревянных полов может создать взрывоопасные условия эксплуатации. Не используйте эту машину вблизи растворителей, бензина, разбавителей, древесной пыли или других легковоспламеняющихся материалов. Испарения и древесная пыль, которые формируются во время шлифования и отделки деревянных полов, могут создать взрывоопасные условия эксплуатации. Необходимо потушить или избегать зажигалок, горелок, электрических искр и всех других источников восплавления. Рабочая территория должна хорошо проветриваться.



ОПАСНО:



Пыль, формирующаяся во время шлифования деревянных полов, может самопроизвольно воспалиться или взорваться. Сразу же выбрасывайте шлифовальную пыль в металлический контейнер, не содержащий никаких горючих веществ. Ни в коем случае не выбрасывайте пыль в открытый огонь.



ОПАСНО:



Смерть от электрического удара может произойти, если проводить техническое обслуживание машины в то время, как она подключена источнику питания. Перед проведением технического обслуживания отключите электроснабжение. Всегда отключайте электроснабжение перед заменой щетки или другой принадлежности. Не оставляйте машину одну в то время, как она подключена к электропитанию.



ОПАСНО:



Смерть от электрического удара может произойти, если машина используется с поврежденной вилкой или поврежденным шнуром питания. Не размещайте шнур питания на пути прохождения полировальника. Всегда поднимайте шнур над машиной. Не тяните машину за шнур питания.



ОПАСНО:













Смерть от электрического удара может иметь место, если машина подключена к незаземленной электрической сети. Всегда используйте трехпроводную заземленную электрическую систему. Никогда не снимайте заземляющий провод с электрического шнура. Обратитесь к электрику, если заземляющий провод отсутствует или Ваша сеть не заземлена надлежащим образом.



ОПАСНО:



Чтобы избежать телесных повреждений, не касайтесь руками, ногами или свободной одеждой движущихся частей машины. Отключайте от электропитания, перед тем, как поменять полировальник, заменить абразивный материал и во время технического обслуживания. Не начинайте эксплуатировать машину, пока она не находится в вертикальном положении и шлифовальный диск не касается пола. Никогда не оставляйте машину одну, когда она подключена к электросети.

- 
ПРЕДУПРЕЖДЕНИЕ: Опасность поражения током. Электрические детали машины могут “замкнуть” под влиянием воды или влаги. Держите электрические детали машины сухими. Полностью вытирайте машину после каждого использования. Для хранения держите машину в сухом помещении.
 
- 
ПРЕДУПРЕЖДЕНИЕ: Во время шлифования могут иметь место телесные повреждения, если не используются защитная спецодежда и защитное снаряжение. Во время шлифования необходимо носить защитные очки, защитную спецодежду и респиратор.
 
- 
ПРЕДУПРЕЖДЕНИЕ: Любые изменения или модификации этой машины могут привести к её повреждению или увечью оператора либо людей, находящихся вблизи. Изменения и модификации, не санкционированные изготовителем, аннулируют все гарантии и обязательства.
 
- 
ПРЕДУПРЕЖДЕНИЕ: Использование машины без соблюдения всех меток и инструкций может привести к поломке машины или травмам оператора. Прочтите все надписи на машине перед её использованием. Убедитесь, что все информационные метки, а также инструкции прикреплены к машине. Получите от уполномоченного дистрибьютора все необходимые платы и метки замены.
 
- 
ПРЕДУПРЕЖДЕНИЕ: Машина тяжелая. Если не использовать надлежащие процедуры поднятия, оператор или другие посторонние могут получить телесные травмы. Не поднимайте машину сами.
 



Условные обозначения знаков, предупреждающих об опасности

Если Вы не прочтаете это руководство по эксплуатации, это может привести к травмам оператора или стать причиной поломки машины.



Изображение огня обозначает, что материал может воспалиться, и Вы можете получить ожог.



Изображение человека, пораженного электрическим напряжением, означает поражение электрическим током или шок. Он может стать причиной смерти или серьезных телесных травм.



Этот символ обозначает опасность от движущихся запчастей. Возможны телесные повреждения.



Изображение человека, который носит очки, предупреждает об опасности для глаз.



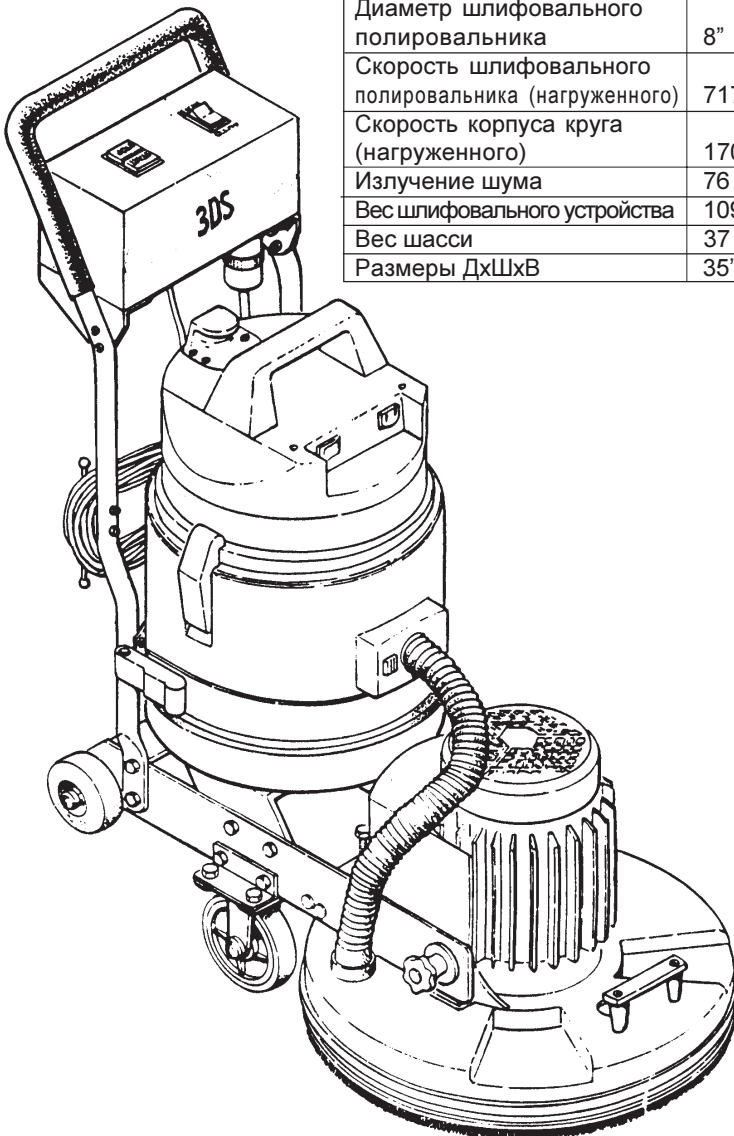
Изображение человека, поднимающего тяжесть, показывает, что без проведения надлежащих процедур поднятия груза, можно получить телесные травмы.

Введение и технические требования машины

3DS – это машина, разработанная главным образом для чистового шлифования полов, сделанных с твердой древесины. Результатом процесса окончательной зачистки шлифовальной шкуркой является более ровный и плоский пол, а также устранение неоднородностей, оставшихся после шлифования ленточным или барабанным шлифовальным станком. Эту машину нельзя использовать на влажных поверхностях.

СПЕЦИФИКАЦИИ ПРОДУКТА

Код машины	07082C	07112A (UK)	07085C (EU)
Вакуум	Оборудован р/вакуумом		
Вес	163 фунтов (74 кг)		
Масса брутто	234 фунтов (106 кг)		
Тип машины	3 круга для сухого шлифования		
Мотор	3 л. с. однофазный 2,2 кВт однофазный		
Напряжение	230 В		
Частота	60 Гц		50 Гц
Питающий кабель	40', 12-3 SJO		15м HO7RN-F3G1.50
Ампераж	11.5 А		
Защита от перегрузки	15 А автоматический выключатель		
Класс проводимости двигателя	F		
Рабочий диаметр	18.75" (48 см)		
Диаметр шлифовального полировальника	8" (203 мм)		
Скорость шлифовального полировальника (нагруженного)	717 обор/мин.		
Скорость корпуса круга (нагруженного)	170 обор/мин.		
Излучение шума	76 дБА		
Вес шлифовального устройства	109 фунтов (49 кг)		
Вес шасси	37 фунтов (17 кг)		
Размеры ДхШхВ	35" x 20" x 39.5" (88 x 51 x 100 см)		



Инструкции по заземлению – 230 В

**230 В МАШИНЫ
ИНСТРУКЦИИ ДЛЯ ПОДКЛЮЧЕНИЯ
К ИСТОЧНИКУ ЭЛЕКТРОПИТАНИЯ
И ЭЛЕКТРИЧЕСКОЕ ЗАЗЕМЛЕНИЕ**

⚠ ВНИМАНИЕ: Чтобы избежать повреждений, машина должна работать только на частоте переменного тока и с электрическим напряжением, указанным на паспортной табличке устройства. Перед тем, как подключить оборудование к сети, удостоверьтесь, что Ваша частота и напряжение соответствуют указанным на паспортной табличке оборудования.

Этот продукт должен быть заземлен. Если он неправильно функционировать или сломается, заземление сможет обеспечить тропу наименьшего сопротивления для электрического тока, что уменьшит риск электрического удара. Этот продукт оборудован заземляющим проводом и заземленной вилкой. Штепсельная вилка должна вставляться в соответствующую розетку, которая надлежащим образом установлена и заземлена в соответствии с местными распоряжениями и кодами.

⚠ ПРЕДУПРЕЖДЕНИЕ: Неправильное подключение заземляющего провода может стать причиной поражения электрическим током. Проконсультируйтесь с квалифицированным электриком, если Вы сомневаетесь, правильно ли заземлена штепсельная розетка. Не изменяйте штепсельную вилку, поставленную в комплекте с продуктом, – если она не подходит к Вашей розетке, квалифицированный электрик должен установить надлежащую розетку.

Этот продукт предназначен для использования в номинальной сети 230В и имеет патронный ответвительный штепсель, который выглядит как одна из розеток, показанных на рисунке 1. Удостоверьтесь, что продукт подключен к розетке, имеющей ту же конфигурацию, что и штепсельная вилка. С этим продуктом нельзя использовать адаптеры.

Эта машина должна быть заземлена, чтобы защитить оператора от поражения электрическим током. Она оснащена сетевым шнуром с двумя главными проводами и проводом заземления. Подключите вилку в соответствующую штепсельную розетку. Зеленый или зелено-желтый провод в сетевом шнуре – это провод заземления. Всегда подсоединяйте этот провод только к зажиму заземления.

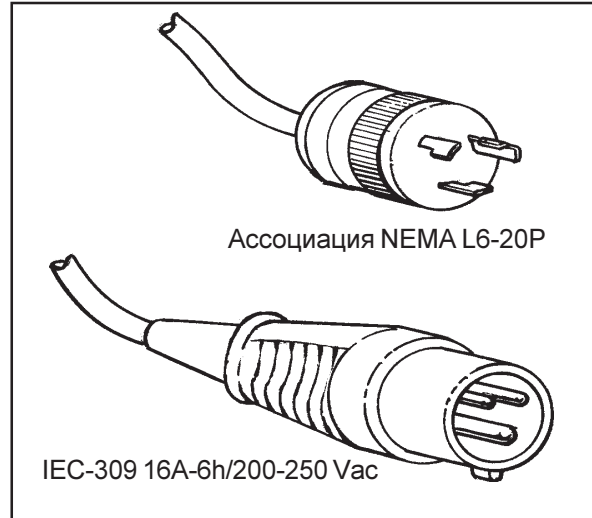


Рисунок 1

⚠ ПРЕДУПРЕЖДЕНИЕ: Чтобы избежать поражения электрическим током, всегда используйте эту машину с трех проводной заземленной электрической системой. Немедленно заменяйте все изношенные, порезанные или поврежденные провода. Заменяйте поврежденные штепсельные вилки, розетки или соединители. Не тяните машину за электрический шнур. Всегда поднимайте шнур над машиной.

УДЛИНИТЕЛИ

Используйте только испытанные удлинители с двумя главными проводами и проводом заземления. Машина оснащена шнуром с диаметром проволоки 2 AWG или 5 мм².

⚠ ПРЕДУПРЕЖДЕНИЕ: Чтобы избежать перегорания двигателя, если Вы используете удлинитель, используйте удлинитель с минимальным диаметром проволоки 10 AWG или 4.0мм². Не используйте удлинитель более 40 футов или 15 метров. Не соединяйте два удлинителя.

⚠ ПРЕДУПРЕЖДЕНИЕ: Чтобы избежать поражения электрическим током, не вынимайте, не режьте и не ломайте зажим заземления. Не пытайтесь вставить трех полюсную штепсельную вилку в розетку или соединитель, в который она не подходит. Если розетка или соединитель не подходят для вилки, обратитесь к уполномоченному дилеру компании Clarke American Sanders, чтобы Вам прислали квалифицированного специалиста для установки соединения.

Прекращение работы машины / транспортировка

Для прекращения работы машины, придерживайтесь следующего порядка действий:

1. Отсоедините машину от источника питания.

⚠ ПРЕДУПРЕЖДЕНИЕ: Оператор или посторонние могут получить телесные травмы, если во время проведения технического обслуживания, замены абразивного материала или опорожнения пылевого мешка, устройство будет включено в электрическую сеть.

2. Отключите сетевой шнур, шнур мотора и вакуумного механизма от электрической коробки.
3. Отсоедините вакуумный шланг от шлифовального устройства.
4. Снимите обе рукоятки с шлифовального устройства и отсоедините его от рамы тележки. (См. Рисунок 2)

⚠ ПРЕДУПРЕЖДЕНИЕ: Шлифовальное устройство тяжелое (109 фунтов). Чтобы избежать получения травм оператором или повреждения машины используйте прочное захватное устройство и соответствующее подъемное оборудование. При необходимости обратитесь за помощью.



5. Чтобы поднять шлифовальное устройство, возьмите корпус за подъемные стороны. (См. рисунок 3)
6. Разверните шнур питания вакуумного механизма с зажимов на рукоятке и положите на верхнюю часть вакуумного механизма.
7. Отсоедините ремни вакуумного механизма, сняв вытяжную задвижку. Ремень отскочит назад и вакуумный механизм можно будет вынуть с рамы. (См. Рисунок 4)
8. Рукоятку можно вынуть, сняв четыре 5/16-18 болта и гайки, которыми она закреплена к раме тележки.
9. Во время транспортировки необходимо зафиксировать все элементы в грузовом отсеке, чтобы избежать повреждений машины.

Как перемещать машину (с комнаты в комнату)

Перемещать машину на короткие дистанции (с комнаты в комнату) можно, наклонив ее назад, пока 4 дюймовые колеса не будут касаться пола. Надавив на рукоятку вниз, машина может быть установлена в нужное положение. (См. Рисунок 5)

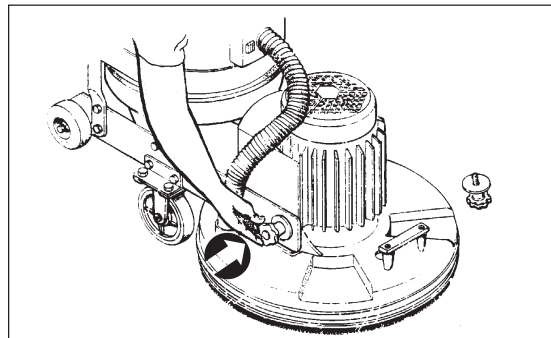


Рисунок 2

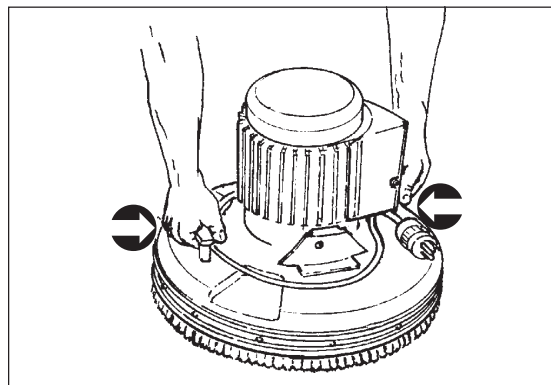


Рисунок 3

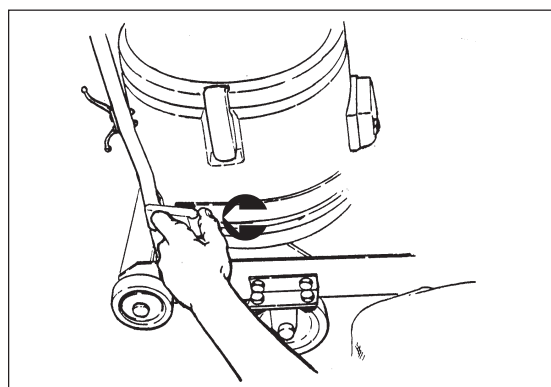


Рисунок 4

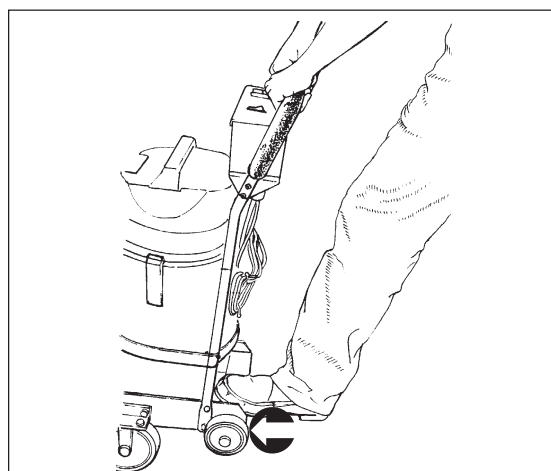


Рисунок 5

Установка машины

Перечисленные ниже инструменты необходимы для установки машины: 1 - #2 Отвертка Phillips
2 - 5" гаечный ключ с открытым зевом или (2) разводных гаечных ключа.

Для подготовки машины к использованию, придерживайтесь следующего порядка действий:

1. Выньте с упаковки все компоненты машины и проверьте, не повреждены ли они.
2. Перед эксплуатацией прочитайте это руководство, включая все предупреждения и предостережения об опасности. Если Вы или оператор не владеете языком, на котором напечатано это руководство, пусть Вам полностью его объяснят перед началом работы с машиной.
3. Присоедините шлифовальное устройство к раме тележки, зафиксировав через раму две рукоятки. (См. Рисунок 6). Эксцентрики в раме тележки должны использоваться для надлежащего выравнивания между рамой и шлифовальным устройством. Соедините отметки на прокладках и на раме; одну справа и две слева.
4. Направьте шнур питания двигателя под напорный ремень и поддерживающий ремень вакуумного механизма, потом через наклонный сопутствующий ремень.
5. Прикрепите рукоятку к раме тележки, прикрутив ее четырьмя 5/16-18 болтами и гайками, входящими в комплект поставки, и подключите силовой шнур двигателя. (См. рисунок 7) Затяните гайки, которые держат наклонные колеса, и присоедините поддерживающие ремни вакуумного механизма как показано на рисунке 7.
6. Вокруг тканевого фильтра установите фильтр из дакрона. (См. Рисунок 8)
7. Установите сухой вакуумный механизм на поддерживающие ремни так, чтобы центральное основание попало в двухдюймовое отверстие. ПРИМЕЧАНИЕ: Отверстие вакуумного шланга должно выходить на мотор шлифовального устройства. Присоедините ремень вокруг основания вакуумного механизма. (См. Рисунок 9)
8. Дополнительно в наличие имеется разовый бумажный мешок. Если вы хотите установить бумажный мешок, снимите верхнюю часть вакуумного механизма и установите бумажный мешок для пыли, вставив в установочный башмак бумажного мешка отражатель. Чтобы удостовериться, что мешок должным образом расположен на отображателе, проверьте, находится ли резиновое уплотнение в пазе отображателя (см. рисунок 10). ПРИМЕЧАНИЕ: После транспортировки проверьте, прочно ли установлен бумажный мешок, чтобы избежать попадания пыли в вакуумный резервуар.
9. Сверните шнур вакуумного механизма вокруг зажимов, расположенных на задней стороне рукоятки. Оставьте достаточно шнура, чтобы можно было протянуть его к электрической коробке. Установите переключатель вакуумного механизма в положение "ON" (ВКЛ). Переключатель должен оставаться в положении ВКЛ. (См. ниже рисунок 11)

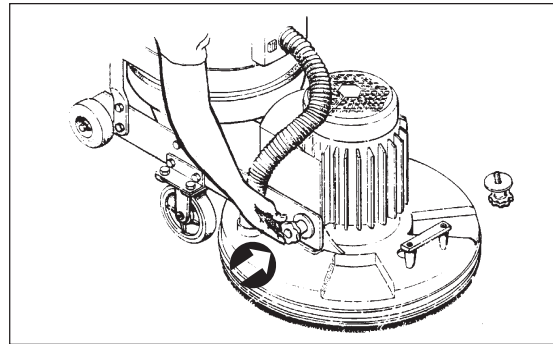


Рисунок 6

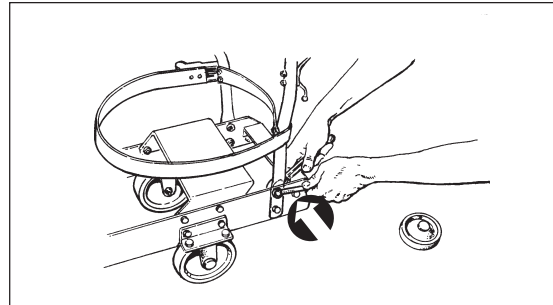


Рисунок 7



Рисунок 8

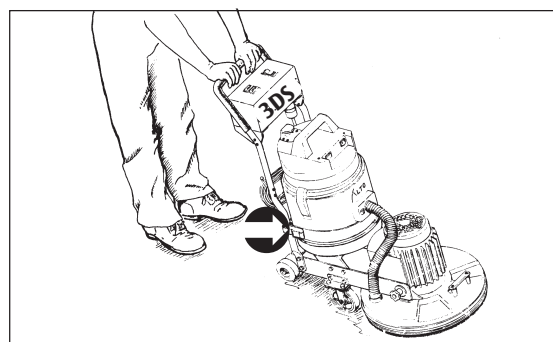


Рисунок 9

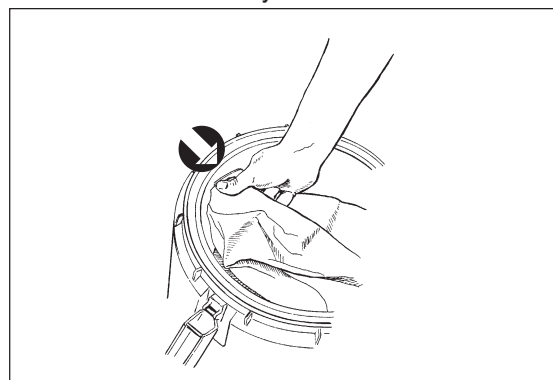


Рисунок 10

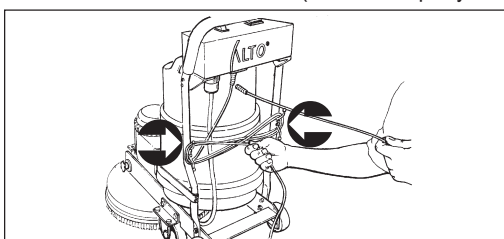


Рисунок 11

Установка машины (продолжение)

⚠ ПРЕДУПРЕЖДЕНИЕ: Оператор или люди, находящиеся вблизи, могут получить телесные травмы, если машина перевернется или упадет во время замены полировальника или абразивного материала.

⚠ ПРЕДУПРЕЖДЕНИЕ: Никогда не включайте машину, когда она находится в наклонном положении. Серьезные телесные увечья можно получить, если включить машину во время замены абразивного материала.

⚠ ПРЕДОСТЕРЕЖЕНИЕ: Верхняя часть шлифовального устройства может быть повреждена, если машина сама опуститься с наклоненного положения.

⚠ ПРЕДОСТЕРЕЖЕНИЕ: Приводной полировальник может быть поврежден, если машина используется без наждачной бумаги или фильтра. Приводной полировальник может также быть поврежден, если он тоньше 1/8".

10. Установите или замените наждачную бумагу или фильтр. Наждачная бумага, фильтр или полировальник должны быть заменены, если они порвались, износились или затупились. Полировальник должен быть также заменен, если его толщина меньше 1/8". Установка и замена наждачной бумаги, фильтра и полировальника показана на рисунке 12: (См. Рисунок 12)

⚠ ОПАСНО: Отъедините источник питания. Смерть от электрического удара может наступить, если во время замены абразивного материала, полировальников или опустошения пылевого мешка машина подключена к источнику питания.



- a.) Отключите машину от источника питания и отодвиньте сетевой шнур.
- б.) Наклоните машину взад, нажав ногой на наклонный сопутствующий ремень и одновременно надавив на рукоятку. (См. рисунок 13)
- в.) Снимите ногу с наклонного сопутствующего ремня и продолжайте нажимать на рукоятку, пока машина не будет находиться в вертикальном положении на наклонных колесах. (См. рисунок 14)
- г.) Чтобы снять уже имеющуюся бумагу или фильтр /полировальник, станьте сбоку машины и потяните с одной стороны. Фильтр может быть прикреплен пластмассовой кнопкой, которую необходимо снять, перед тем как снимать фильтр. (См. рисунок 15)
- д.) Разместите новую бумагу или фильтр над приводным полировальником и прижмите, пока они не закрепятся крючками на полировальнике.

⚠ ПРЕДУПРЕЖДЕНИЕ: Машина тяжелая. Не подпускайте к машине посторонних из-за того, что машина может перевернуться или упасть. Заменяя полировальник или абразивный материал, будьте осторожны, когда наклоняете машину. Оператор или люди, находящиеся вблизи, могут получить травмы.

- е.) Верните машину в вертикальное положение, стоя за рукояткой и поднимая ее с пола, пока роликовые колеса не коснутся поверхности пола. Поставьте ногу на наклонный сопутствующий ремень и осторожно опустите шлифовальное устройство на пол.

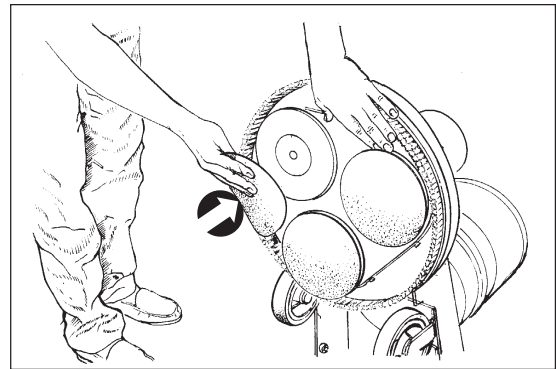


Рисунок 12



Рисунок 13

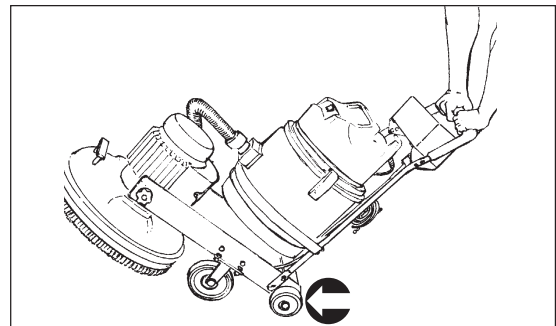


Рисунок 14

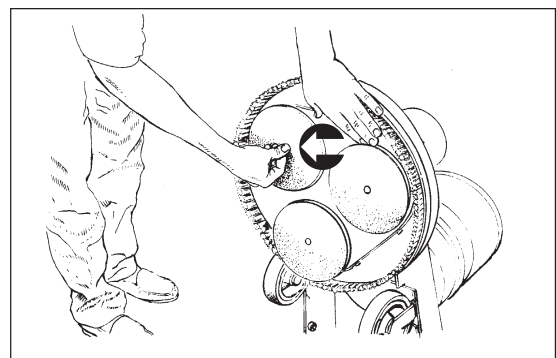


Рисунок 15

11. Присоедините вакуумный шланг к шлифовальному устройству и вакуумному механизму.
12. Подключите сетевой шнур к электрической коробке.

Инструкции по эксплуатации – шлифование

Для управления машиной, придерживайтесь следующего порядка действий:

1. Передвиньте машину к месту работы. Во время шлифования, старайтесь не приближаться к источнику энергии. Этим можно избежать повреждения сетевого шнура и уменьшить потребность часто его передвигать.

ПРИМЕЧАНИЕ: Шлифовальные проходы и наждачная бумага описаны на странице 13.

⚠ ПРЕДУПРЕЖДЕНИЕ: Если во время установки или замены абразивных материалов, машина подключена к источнику питания, существует вероятность получения травм. Перед установкой абразивных материалов, отключите машину от сети.

2. Установите абразивный материал. Следуйте процедурам, описанным в пункте **УСТАНОВКА МАШИНЫ** для установки наждачной бумаги и фильтра/полировальника. (См. страницу 5)

⚠ ОПАСНО: Смерть от электрического удара может иметь место, если машина подключена к незаземленной электрической сети. Всегда используйте трех проводную заземленную электрическую систему. Никогда не снимайте заземляющий провод с электрического шнура. Обратитесь к электрику, если заземляющий провод отсутствует или Ваша сеть не заземлена надлежащим образом.

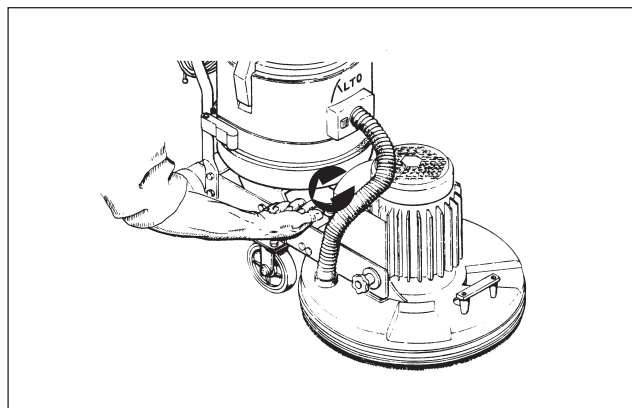


Рисунок 16

3. Ослабьте напор, пока резиновое основание не коснется основной станины. (См. рисунок 16) Натяните, пока резиновое основание не коснется основной станины. Отрегулируйте работу машины, потом установите выше или ниже, чтобы получить необходимый результат шлифования.
4. Подключите сетевой шнур машины к правильно заземленной сети.
5. Встаньте сзади рукоятки, установите кулисный переключатель в положение “Automatic” и нажмите зеленый включатель. Чтобы остановить машину, необходимо нажать красную кнопку останова. (См. Рисунок 17)

ПРЕДОСТЕРЕЖЕНИЕ: Чтобы предотвратить возможные повреждения покрытия пола и уменьшить теплообразование, следите за тем, чтобы машина пребывала в постоянном движении, когда включен двигатель.

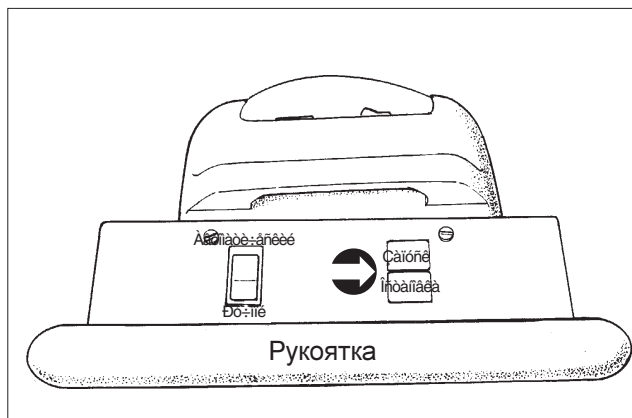


Рисунок 17

6. Оператор должен передвигать машину, когда она включена. Во время шлифования пола оператор может передвигать машину в любом направлении.

Техническое обслуживание и ремонт

Техническое обслуживание пользователем:

Бумажные мешки должны заменяться после каждых 3 часов работы, минимум. При обработке более мягкой древесины и при больших проходах бумажные мешки необходимо менять чаще. **ПРИМЕЧАНИЕ:** Перед заменой бумажных мешков, машина и тканевый фильтр должны быть очищена от накопившейся пыли. **(Смотрите DTV-7 руководство по эксплуатации о том, как очищать тканевый фильтр)**

Заменяя наждачную бумагу или фильтр, необходимо проверять двойной фиксатор “velcro” на шлифовальных полировальниках на износ и повреждения.

Эксплуатационная поддержка:

Техническое обслуживание шлифовальной машины 3DS Sander должно проводиться через каждые **600 часов** работы.

Обращайтесь за техническим обслуживанием в уполномоченный сервисный центр Alto Service Center.

(Сервисные центры перечислены на внутренней стороне обложки Руководства по эксплуатации).

Техническое обслуживание должно включать:

1. Проверьте и/или замените щетки и коллектор в вакуумном исполнительном механизме **(Смотрите отдельное руководство пользователя)**.
2. Проверьте, не износились ли резиновые прокладки на шлифовальных полировальниках; если повреждены замените.
3. Проверьте, не износился ли вспененный материал на шлифовальных полировальниках; замените, если он поврежден.
4. Проверьте на износ приводные механизмы, то есть ремни, шкивы, вал двигателя.
5. Очистите двигатель вакуумного механизма от собравшейся пыли.
6. Прочистьте тканевый фильтр.

В дополнение к вышеперечисленному необходимо проводить следующее сервисное обслуживание:

1. Через каждые **1500 часов** работы **необходимо** заменять **приводной ремень**.
2. Через каждые **3000 часов** работы **необходимо** заменять подшипники **на приводном шкиве**.

Нахождение и устранение неисправностей

Проблема	Причина	Действие
Не запускается двигатель	Нет электропитания Неисправный переключатель/плохое соединение	Проверьте источник тока и соединения Обратитесь к уполномоченному агенту по продаже
Двигатель не заводится/ работает медленно	Низкое напряжение вследствие чрезмерной длины или слишком короткого удлинителя. Поврежден пусковой конденсатор Поврежден пусковой включатель Поврежден пусковой/рабочий конденсатор Поврежден двигатель, низкое напряжение	Используйте удлинитель 12 Ga., не превышайте длину более 40'. Обратитесь к уполномоченному по продаже агенту Обратитесь к уполномоченному по продаже агенту Обратитесь к уполномоченному по продаже агенту Обратитесь к уполномоченному по продаже агенту
Часто срабатывает автоматический выключатель/ Низкое напряжение	Уберите удлинитель плавкий предохранитель. Плохое соединение Неисправности двигателя	Установите источник питания ближе к месту работы. Напряжение должно быть проверено квалифицированным электриком. Обратитесь к уполномоченному по продаже агенту Обратитесь к уполномоченному по продаже агенту
Во время работы машина «подпрыгивает»	Настройка давления на выходе установлена неправильно. Плохой/изношенный шлифовальный полировальник Неровные полировальники. Наждачная бумага/фильтр изношены, порваны или неправильно установлены.	Отрегулируйте болт давления на выходе. Замените поврежденный полировальник. Замените неровные полировальники. Замените поврежденную наждачную бумагу/фильтр или установите надлежащим образом.
Машина дергается вправо во время работы.	Настройка давления на выходе	Послабьте давление м Смотрите рисунок 17, стр. 8
Машина не удерживает пыль или неправильно	Бумажный мешок переполнен или вакуумном механизме или прочно его установите. плохо установлен. Тканевый фильтр засорился	Замените бумажный мешок в надлежащим образом. Выньте тканевый фильтр и очистьте, продуйте его воздухом высокого давления.
Машину толкает взад на раме	Эксцентрикые прокладки на рукоятках неправильно установлены.	Отрегулируйте эксцентрики, чтобы попасть в отметку во время работы. с отверстием эксцентрика спереди машины. ПРИМЕЧАНИЕ: После регулировки оба ролики должны вращаться с одинаковым давлением.

Шлифовальные проходы и наждачная бумага

ОБЩАЯ ШЛИФОВКА

Так как машина сконструирована для произвольной схемы шлифования, двигаться можно в любую сторону, однако, рекомендуется, чтобы во время операции машина постоянно передвигалась. Направление вперед, назад, а потом наполовину назад также относится к общей схеме шлифования.

ПЕРВОНАЧАЛЬНЫЙ ПРОХОД

Целью первоначального прохода является удаление старой отделки, больших неровностей и разметки барабанного/ленточного шлифовального станка на поверхности пола. Используйте крупнозернистый абразив (40-60 номера). Для экстремальных ситуаций используйте абразив 36 номера.

ЧИСТОВЫЕ ПРОХОДЫ

Целью чистового прохода является удаления царапин, сделанных во время начального прохода. Используйте мелкозернистый абразив (80-100 номера).

Если после чистового прохода поверхность остается шероховатой, возможно будет необходимость использовать даже более мелкий абразивный материал в виде наждачной бумаги или решетчатый абразив. Полировальник, используемый с сетчатым фильтром, можно также использовать с мелкозернистой наждачной бумагой, чтобы получить желаемую полировку. Следует быть внимательным при выборе размера зернистости абразива. Чрезмерно мелкая зернистость закроет поры на деревянном полу и утруднит окраску поверхности.

Если абразивный материал затупится, его необходимо заменить.

ПРИМЕЧАНИЕ: Эта машина используется для чистового шлифования полов. Для специальных применений, однако, можно использовать 36 и 40 номер зернистости песчаной шлифовальной шкурки.

ВОЛОКНО	ИСПОЛЬЗОВАТЬ	Номер зернистости.
36 зернистость	Для удаления больших неровностей и восстановления гладкости на старых поверхностях пола. Для удаления накопления красок и лаков и для первого шлифования нового пола.	945630
40 зернистость	Для первого шлифования нового покрытия пола (дуб и клен). Для удаления небольших неровностей и отделок старых полов.	945361
60 зернистость 60 зернистость меш	Для очистки после начального прохода 36 зернистость.	945633
80 зернистость 80 зернистость меш	Для чистовой шлифовки некоторых лиственных пород. Для очистки проходов (60 зернистость).	945634
100 зернистость 100 зернистость меш	Для чистовой шлифовки некоторых лиственных и хвойных пород, где необходима гладкая поверхность.	945635

ПРИСПОСОБЛЕНИЯ

Деталь #	Описание
674114	Вакуумный шланг 1S" X 10
682408	Держатель вакуумного шланга 1S"
639804	Изогнутый стеной блок 1S"
638820	Войлочный башмак 14"
638838	Волокнистый щетинный башмак 15"

ΑΑΒΑÇÈÁÍÛÀ ÊΘÓÃÈ ÄËΒ 3-ÄËÑÊÎÄÎÉ ØËÈÔÎÄÄËÛÎËÉ ÌÀØÈÍÛ

Деталь #	Описание
945630	Круг ВХ (25) 3М 8" Hookit #36
945631	Круг ВХ (25) 3М 8" Hookit #40
945633	Круг ВХ (25) 3М 8" Hookit #60
945634	Круг ВХ (25) 3М 8" Hookit #80
945635	Круг ВХ (25) 3М 8" Hookit #100

СЕТЧАТЫЕ КРУГИ ДЛЯ 3-ДИСКОВОЙ ШЛИФОВАЛЬНОЙ МАШИНЫ

Деталь #	Описание
945624	Сетчатый круг CS(40)7 7/8"x3/16" #60
945625	Сетчатый круг CS(40)7 7/8"x3/16" #80
945626	Сетчатый круг CS(40)7 7/8"x3/16" #100

ПОЛИРОВАЛЬНЫЕ КРУГИ ДЛЯ 3-ДИСКОВОЙ ШЛИФОВАЛЬНОЙ МАШИНЫ

Деталь #	Описание
945610	Полировальный круг шлифовальной машины Вх(40)8"x2 s"

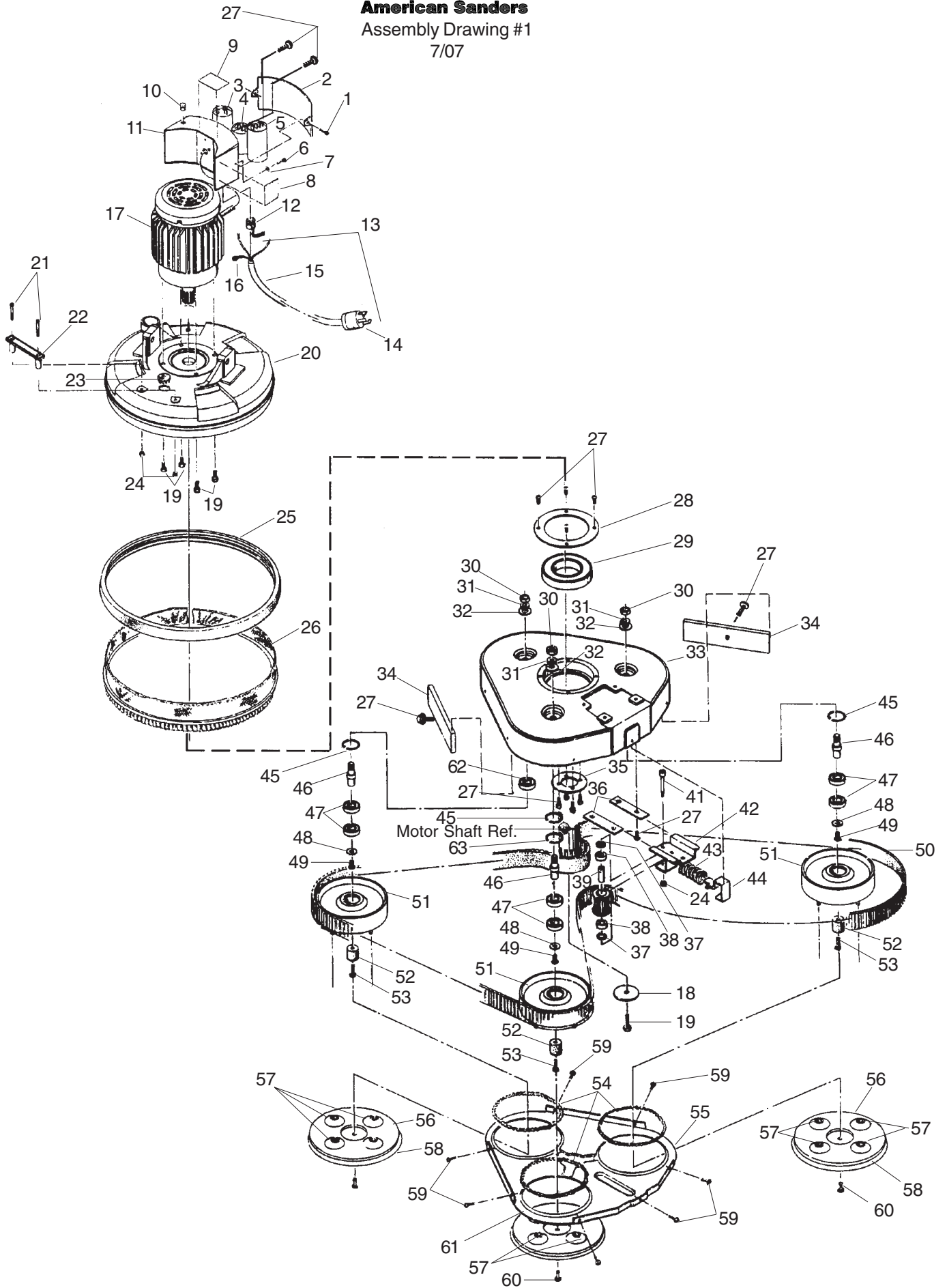
Clarke[®]

American Sanders

3DS
Section II
Parts and Service Manual

(74845A)

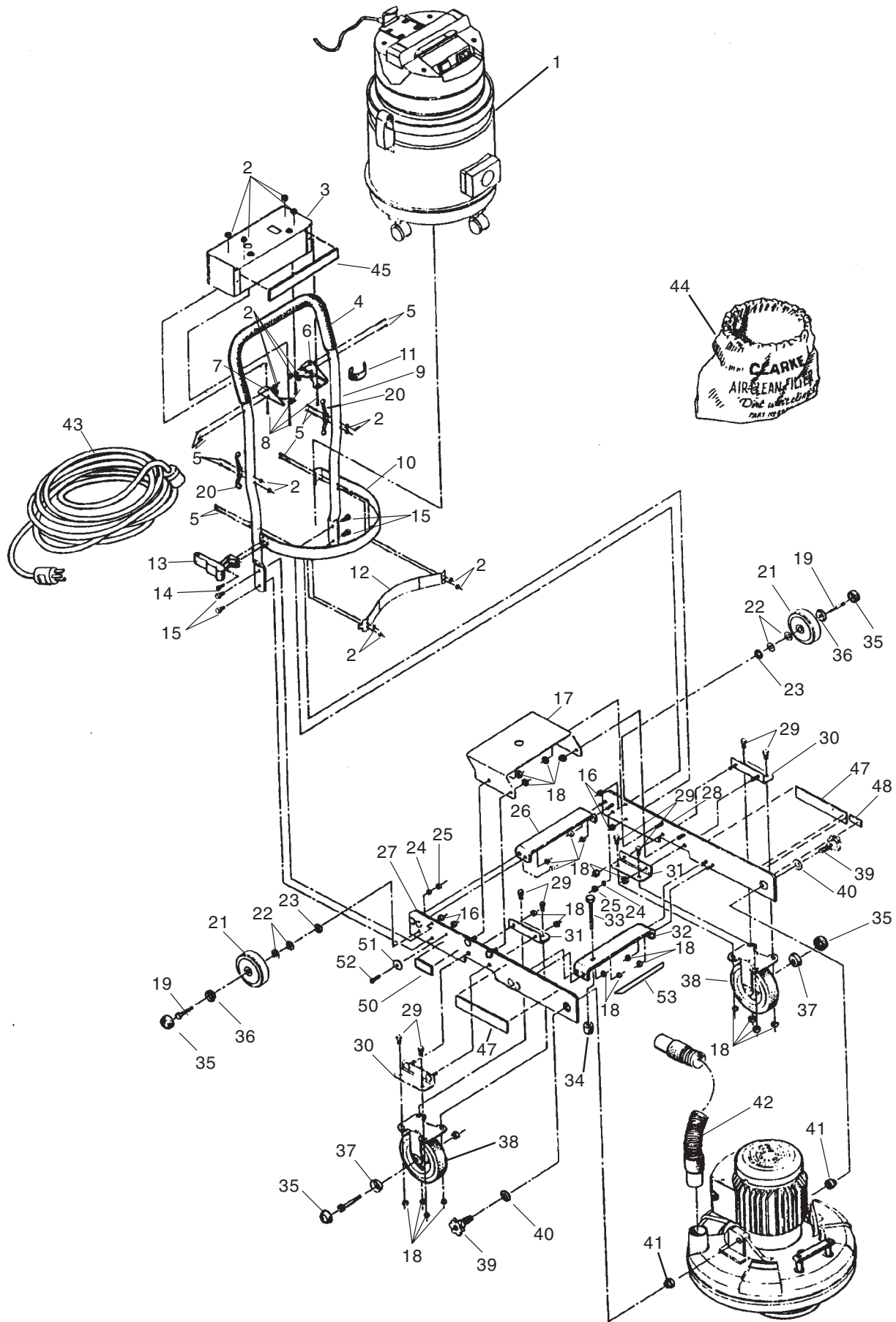
**Clarke®
American Sanders**
Assembly Drawing #1
7/07



Clarke®
American Sanders
 Assembly Parts List #1
 7/07

Ref.	Part No.	Description	Qty	Ref.	Part No.	Description	Qty
1	962727	Screw, 8-32 x ½ Pan S.T.	2	31	87101A	Washer, Lk ½ NOM	3
2	62667A	Cover, Enclosure	1	32	980648	Washer, 17/32 ID x 1-1/16 OD	3
3	41314A	Capacitor, Start	1	33	24536A	Housing, Disc	1
4	41313A	Capacitor, Run	1	34	68793A	Weight, Disc Housing	2
5	47378A	Switch, Start	1	35	66991A	Retainer, Inner Ring	1
6	85833A	Screw, Machine # 10-32 Type 23	1	36	66992A	Retainer, Belt Tensioner	2
7	980603	Washer, LK #10 EXT Tooth (Pltd)	1	37	67863A	Spacer, Relief Lever	2
8	77234A	Label, Warning, Heavy Object	1	38	902648	BRG-Ball, Radial DBL Seal	2
9	77195A	Label, UL Fire & Sanding Warning	1	39	58543A	Spacer, Sprocket	1
10	57165A	Plug, Nylon Hole	1	40	61914A	Pulley, Idler	1
11	22906A	Enclosure, Motor Str. Pntd.	1	41	80045A	Bolt, Shoulder 5/16 x 1¾	1
12	51523A	Bushing, Strain Relief	1	42	19022A	Tensioner, Wldmt Belt	1
13	11676A	Cord Assembly 230V 60Hz (includes 14, 15, 16)	1	43	53410A	Spring, Belt Tensioner	1
	10029A	Cord Assembly 230V 50 Hz	1	44	69191A	Tensioner, Belt	1
14	45604A	Plug, Elect. NEMA 30A	1	45	167312	Ring, Retain #40137	3
15	42181A	Cord 230V 60Hz	1	46	67477A	Shaft	3
16	170593	Terminal, Ring #10 (12-10)	1	47	902567	Bearing, Ball Double	6
17	44672A	Motor, 3HP 230V/60Hz	1	48	170860	Washer, FLT 5/16 PLTD	3
	44311A	Motor, 2.2 KW 230V/50Hz	1	49	87701A	Screw, 5/16-18 x 5/8 Button Hd.	3
18	87038A	Washer, Flat 25/64" ID	1	50	50927A	Belt, Drive	1
19	962244	Screw, 3/8-16 x ¾ Hx Hd	5	51	66245A	Pulley	3
20	20027A	Mainframe	1	52	34403A	Gimbal, Rubber 1" Sander	3
21	85743A	Screw, ¼-20 x 2" Sc HD SZ	2	53	962350	Screw, 10-32 x ½ Pan Hd	3
22	54931A	Handle, 4¼ x 1¾	1	54	69662A	Seal, Pulley	3
23	57166A	Plug, 1¼" Finishing	1	55	32414A	Cover	1
24	81217A	Nut, ¼-20 x .218H Nylock	3	56	56942A	Pad (includes 57/58)	3
25	31225A	Bumper, 20" Frame	1	57	54608A	Grommets, Pad	12
26	18446A	Skirt, Asm.	1	58	30369A	Pad, Sponge	3
27	87700A	Screw, ¼-20 x ½ Button Head	16	59	170906	Screw, #10-16 x .5 Hex TEK	6
28	66990A	Retainer, Outer Ring	1	60	83011A	Rivet, Removeable	3
29	50758A	Bearing, Ball	1	61	30171A	Gasket 3DS Cover	1
30	920196	Nut, ½-13 Hex Jam	3	62	980681	Shim, .52 x 1.06	Ref.
				63	80377A	Ring, Ext. Retaining	1

Clarke®
American Sanders
Assembly Drawing #2
12/03



Clarke
American Sanders
 Assembly Parts List #2
 8/07

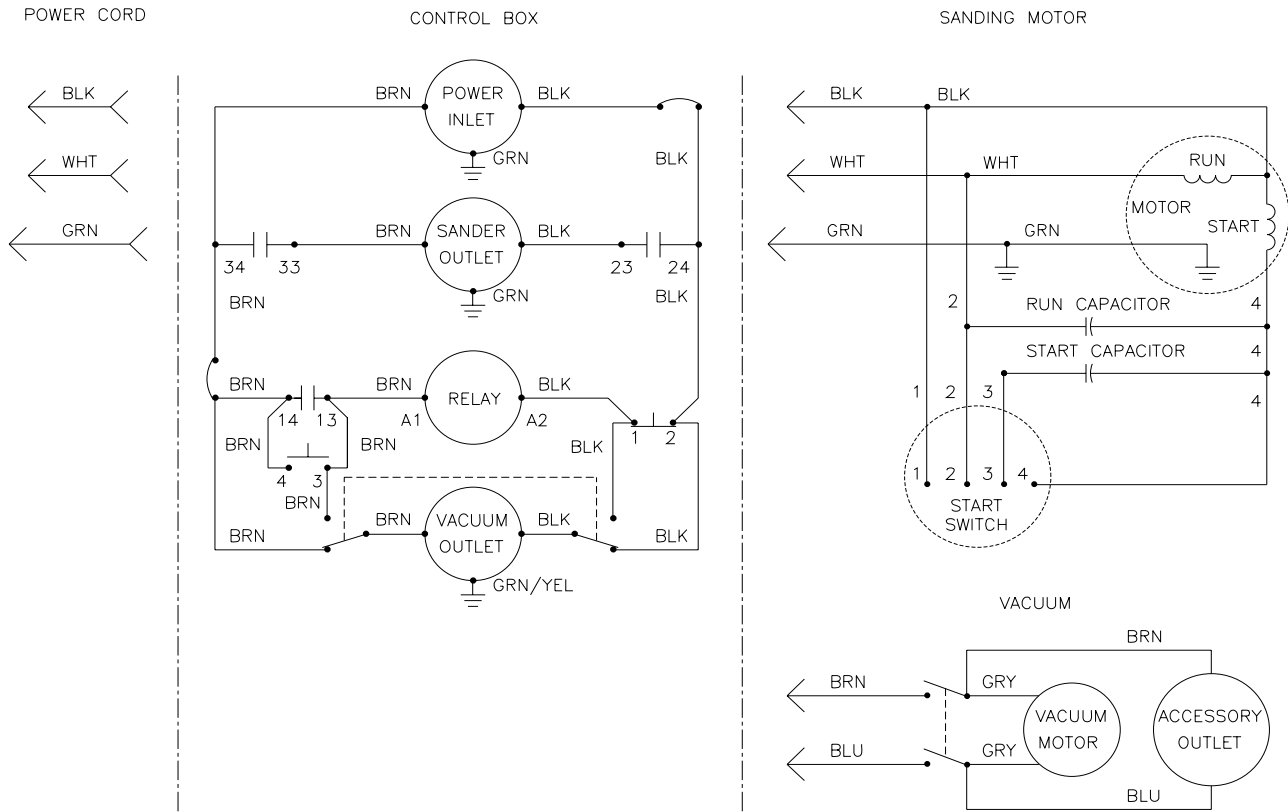
Ref.	Part No.	Description	Qty
1	9058001010	CTV 7 230V 60 Hz	1
	54338A	CTV 7 230V 50 Hz	1
2	920296	Nut, 10-24 Elastic Stop	16
3	10774A	Box, Asm. Electrical 230V 60Hz	1
		(includes 4 of #2; 6, 7, & 8)	
	10030A	Box, Asm. 230V 50Hz	1
4	98622A	(W431) Handle Grip Tube	1
5	85392A	Screw, 10-24 x 1½ PN ST Mac	12
6	69917A	Bracket, Elec. Box Left	1
7	69918A	Bracket, Elec. Box Right	1
8	962666	Screw, 10-24 x ¾ Pan Head	4
9	54935A	Handle, Frame	1
10	61820A	Strap, Vacuum (60 Hz)	1
	61898A	Strap, Vacuum (50 Hz)	1
11	57427A	Velcro, Tab	1
12	61824A	Strap,Back Vacuum (60 Hz)	1
	61901A	Strap,Back Vacuum (50 Hz)	1
13	55713A	Latch, Draw (60 Hz)	1
	55725A	Latch, Draw (50 Hz)	1
14	85397A	Rivet, 3/16	2
15	85811A	Screw, 5/16-18 x ¾ Hx HD	4
16	920110	Nut, LK 5/16-18 REG (Pltd)	4
17	69667A	Strap, Vacuum Support	1
18	920342	Nut, Lk 3/8-16 REG	24
19	80047A	Bolt, ½ x 1¾" Shoulder	2
20	52959A	Cleat, Power Cord	2
21	59940A	Wheel, 4 x 1¼w / ½ x 1 3/8 Hub	2
22	980648	Washer 17/32 OD x 1-1/16 OD PLN	4
23	87627A	Washer, .875 O.D. Bowed	2
24	170883	Washer, Lk 3/8 REG (Pltd)	2
25	920260	Nut, Hex 3/8-16	2
26	69665A	Strap, Tilt Pntd.	1
27	63548A	Frame, Wldmt., Right Truck Pntd.	1
28	63547A	Frame, Wldmt, Left Truck Pntd.	1
29	962244	Screw, 3/8-16 x ¾ Hx Hd.	8
30	69915A	Bracket Weldment., Pntd	2
31	69916A	Bracket, Inside Wheel Pntd	2
32	69666A	Strap, Head Adj. Pntd.	1
33	80046A	Bolt, 3/8-16 x 3" Hex Hd	1
34	31243A	Bumper, Head Pressure	1
35	52068A	Cap, Hub	4
36	59891A	Washer, ½ Hub Cap	2
37	59892A	Washer 3/8 Hub Cap	2
38	59973A	Wheel, Asm. Caster	2
39	25202A	Knob, Handle Adj.	2
40	87053A	Washer, Flat 5/8	2
41	58421A	Spacer, Eccentric Truck Frame	2
42	1402148500	Hose, Sq. Fixed (60 Hz)	1
	54891A	Hose, Sq. Fixed (50 Hz)	1
43	11677A	Cord, Assembly Power 230V 60Hz	1
	40046A	Cord, Assembly, Power 230V 50Hz	1
44	53732A	Bag, Filter Dacron (50 Hz)	1
	53433A	Bag, Filter Dacron (60 Hz)	1
45	77370A	Label, 3DS	1
47	77373A	Label, Clarke American Sanders	1
48	77078A	Plate, Warning (Feet)	1
50	77220A	Label, Serial Weber	1
51	77221A	Tag, Serial Brass	1
52	930093	Rivet, Pop 1/8 x ¼ - 5/6	1
53	97100A	Trim, Vinyl Black	1
NI◆*	1408682500	Filter, Foam, Motor	1
NI◆*	1408658500	Filter, Cloth, Tank	1

NOTE: ◆ indicates a change has been made since the last publication of this manual.

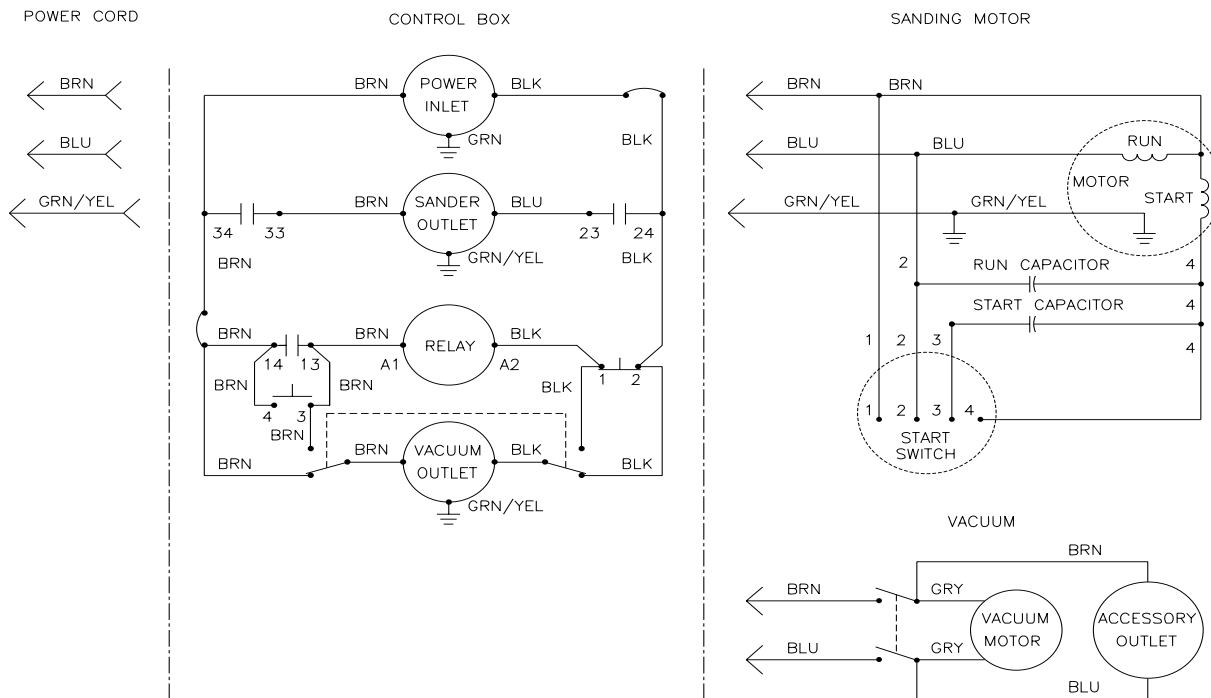
NI = Not illustrated

* these parts are accessory items for motor #9058001010

**Clarke®
American Sanders**
Electrical Schematic 07082C
05/98



Electrical Schematic 07085C



CLARKE PRODUCT SUPPORT BRANCHES

U. S. A. Locations

PRODUCTION FACILITIES

Clarke®, Springdale, Arkansas
2100 Highway 265
Springdale, Arkansas 72764
(479) 750-1000
Customer Service - 1-800-253-0367
Technical Service - 1-800-356-7274

SERVICE FACILITIES

Clarke®, Elk Grove, Illinois 60007
2280 Elmhurst Road
(847) 956-7900

Clarke®, Denver, Colorado 80204
1955 West 13th Ave.
(303) 623-4367

Clarke®, Houston, Texas 77040
7215 North Gessner Road
713-937-7717

SERVICE AND SALES FACILITY

American Lincoln® / Clarke, Madison Heights,
Michigan 48071-0158
29815 John R.
(810) 544-6300

American Lincoln® / Clarke, Marietta, Georgia 30066
1455 Canton Road
(770) 218-2116

Clarke®

Clarke American Sanders

Customer Service Headquarters and Factory
2100 Highway 265
Springdale, Arkansas 72764
(479) 750-1000

Technical Service
1-800-356-7274

European Locations

PRODUCTION FACILITIES

ALTO Danmark A/S, Aalborg
Blytaekkervej 2
DK-9000 Aalborg
+45 72 18 21 00

ALTO Danmark A/S, Hadsund
Industrikvarteret
DK-9560 Hadsund
+45 72 18 21 00

SALES SUBSIDIARIES

ALTO US - Canada, Ontario (Canada)
4080 B Sladeview Crescent Unit 1
Mississauga, Ontario L5L 5Y5
(905) 569 0266

ALTO Overseas Inc., Sydney (Australia)
1B/8 Resolution Drive
Caringbah NSW 2229
+61 2 9524 6122

ALTO Cleaning Systems Asia Pte Ltd., Singapore
No. 17 Link Road
Singapore 619034
+65 268 1006

ALTO Deutschland GmbH, Bellenberg (Germany)
Guido-Oberdorfer-Straße 2-8
89287 Bellenberg
+49 0180 5 37 37 37

ALTO Cleaning Systems (UK) Ltd., Penrith
Gilwilly Industrial Estate
Penrith
Cumbria CA11 9BN
+44 1768 868 995

ALTO France S.A. Strasbourg
B.P. 44, 4 Place d'Ostwald
F-67036 Strasbourg
Cedex 2
+33 3 8828 8400

ALTO Nederland B.V.
Postbus 65
3370 AB Hardinxveld-Giessendam
The Netherlands
+31 184 677 200

ALTO Sverige AB, Molndal (Sweden)
Aminogatan 18
Box 4029
S-431 04 Molndal
+46 31 706 73 00

ALTO Norge A/S, Oslo (Norway)
Bjornerudveien 24
N-1266
+47 2275 1770

Clarke® American Sanders U. S. Warranty

This Clarke American Sanders Industrial/Commercial Product is warranted to be free from defects in materials and workmanship under normal use and service for a period of one year from the date of purchase, when operated and maintained in accordance with Clarke American Sanders's Maintenance and Operations Instructions.

This warranty is extended only to the original purchaser for use of the product. It does not cover normal wear parts such as electrical cable, rubber parts, hoses, bearings, casters, and belts.

If difficulty develops with the product, you should:

- (a). Contact the nearest authorized Clarke American Sanders repair location or contact the Clarke American Sanders Service Operations Department, 2100 Highway 265, Springdale, Arkansas 72764, for the nearest authorized Clarke American Sanders repair location. Only these locations are authorized to make repairs to the product under this warranty.
- (b). Return the product to the nearest Clarke American Sanders repair location. Transportation charges to and from the repair location must be prepaid by the purchaser.
- (c). Clarke American Sanders will repair the product and or replace any defective parts without charge within a reasonable time after receipt of the product.

Clarke American Sanders's liability under this warranty is limited to repair of the product and/or replacement of parts and is given to purchaser in lieu of all other remedies, including INCIDENTAL AND CONSEQUENTIAL DAMAGES.

THERE ARE NO EXPRESS WARRANTIES OTHER THAN THOSE SPECIFIED HEREIN. THERE ARE NO WARRANTIES WHICH EXTEND BEYOND THE DESCRIPTION OF THE FACE HEREOF. NO WARRANTIES, INCLUDING BUT NOT LIMITED TO WARRANTY OF MERCHANTABILITY, SHALL BE IMPLIED. A warranty registration card is provided with your Clarke American Sanders product. Return the card to assist Clarke American Sanders in providing the performance you expect from your new floor machine.

Clarke, 2100 Highway 265, Springdale, Arkansas 72764.

Clarke American Sanders reserves the right to make changes or improvements to its machine without notice.

Always use genuine Clarke American Sanders Parts for repair.

Clarke®

American Sanders

**2100 Highway 265
Springdale, Arkansas, 72764**